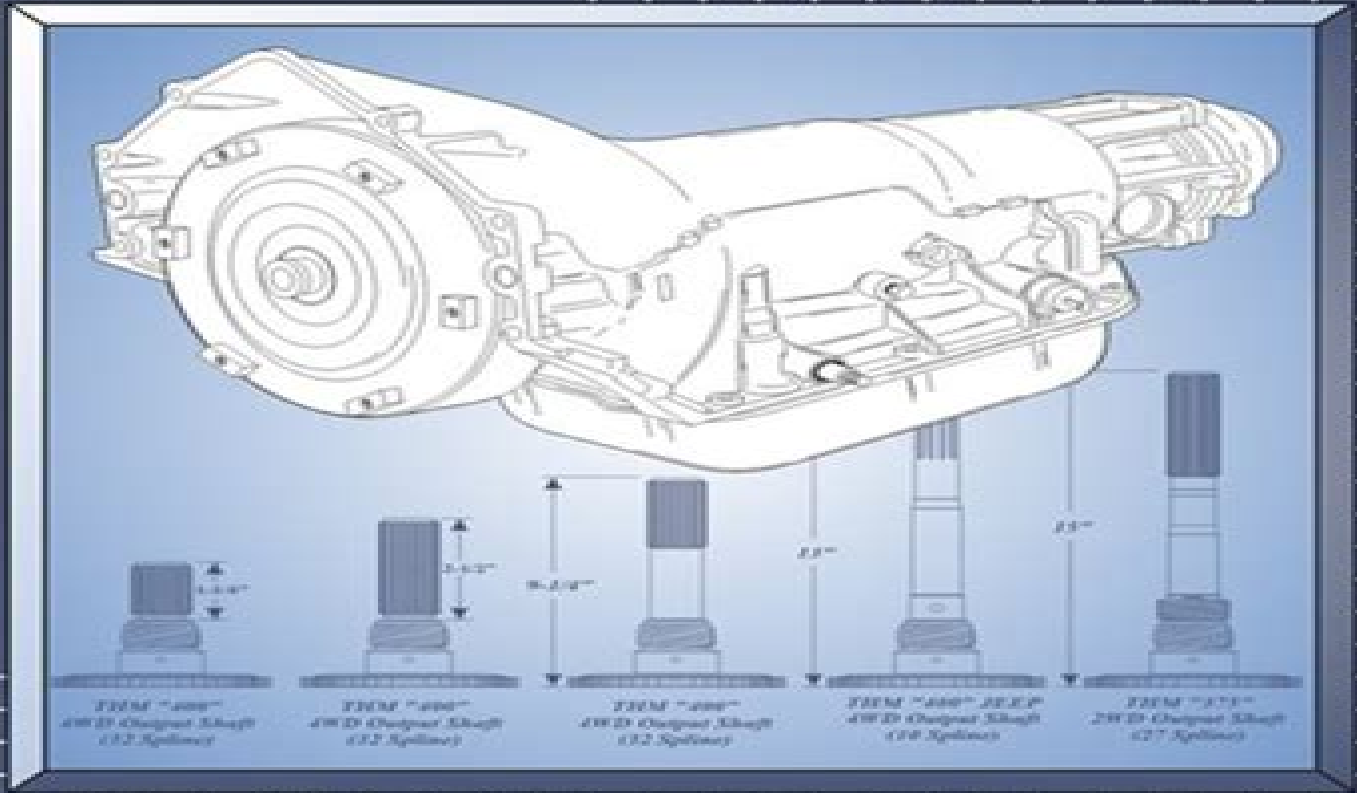




**GENERAL MOTORS
THM 400
TECHTRAN™ MANUAL**

3
7
8
0



**NEW UPDATES
AND CHANGES
INCLUDED**

Atsg Th400 Manual

S Baum



Atsg Th400 Manual:

If you ally obsession such a referred **Atsg Th400 Manual** books that will have enough money you worth, acquire the categorically best seller from us currently from several preferred authors. If you desire to witty books, lots of novels, tale, jokes, and more fictions collections are plus launched, from best seller to one of the most current released.

You may not be perplexed to enjoy every books collections Atsg Th400 Manual that we will definitely offer. It is not re the costs. Its roughly what you dependence currently. This Atsg Th400 Manual, as one of the most lively sellers here will entirely be in the midst of the best options to review.

<https://recruitmentslovakia.com/About/virtual-library/Documents/read%20nfpa%2022007.pdf>

Table of Contents Atsg Th400 Manual

1. Understanding the eBook Atsg Th400 Manual
 - The Rise of Digital Reading Atsg Th400 Manual
 - Advantages of eBooks Over Traditional Books
2. Identifying Atsg Th400 Manual
 - Exploring Different Genres
 - Considering Fiction vs. Non-Fiction
 - Determining Your Reading Goals
3. Choosing the Right eBook Platform
 - Popular eBook Platforms
 - Features to Look for in an Atsg Th400 Manual
 - User-Friendly Interface
4. Exploring eBook Recommendations from Atsg Th400 Manual
 - Personalized Recommendations
 - Atsg Th400 Manual User Reviews and Ratings
 - Atsg Th400 Manual and Bestseller Lists
5. Accessing Atsg Th400 Manual Free and Paid eBooks

- Atsg Th400 Manual Public Domain eBooks
 - Atsg Th400 Manual eBook Subscription Services
 - Atsg Th400 Manual Budget-Friendly Options
6. Navigating Atsg Th400 Manual eBook Formats
 - ePub, PDF, MOBI, and More
 - Atsg Th400 Manual Compatibility with Devices
 - Atsg Th400 Manual Enhanced eBook Features
 7. Enhancing Your Reading Experience
 - Adjustable Fonts and Text Sizes of Atsg Th400 Manual
 - Highlighting and Note-Taking Atsg Th400 Manual
 - Interactive Elements Atsg Th400 Manual
 8. Staying Engaged with Atsg Th400 Manual
 - Joining Online Reading Communities
 - Participating in Virtual Book Clubs
 - Following Authors and Publishers Atsg Th400 Manual
 9. Balancing eBooks and Physical Books Atsg Th400 Manual
 - Benefits of a Digital Library
 - Creating a Diverse Reading Collection Atsg Th400 Manual
 10. Overcoming Reading Challenges
 - Dealing with Digital Eye Strain
 - Minimizing Distractions
 - Managing Screen Time
 11. Cultivating a Reading Routine Atsg Th400 Manual
 - Setting Reading Goals Atsg Th400 Manual
 - Carving Out Dedicated Reading Time
 12. Sourcing Reliable Information of Atsg Th400 Manual
 - Fact-Checking eBook Content of Atsg Th400 Manual
 - Distinguishing Credible Sources
 13. Promoting Lifelong Learning
 - Utilizing eBooks for Skill Development

- Exploring Educational eBooks
14. Embracing eBook Trends
- Integration of Multimedia Elements
 - Interactive and Gamified eBooks

Atsg Th400 Manual Introduction

In the digital age, access to information has become easier than ever before. The ability to download Atsg Th400 Manual has revolutionized the way we consume written content. Whether you are a student looking for course material, an avid reader searching for your next favorite book, or a professional seeking research papers, the option to download Atsg Th400 Manual has opened up a world of possibilities. Downloading Atsg Th400 Manual provides numerous advantages over physical copies of books and documents. Firstly, it is incredibly convenient. Gone are the days of carrying around heavy textbooks or bulky folders filled with papers. With the click of a button, you can gain immediate access to valuable resources on any device. This convenience allows for efficient studying, researching, and reading on the go. Moreover, the cost-effective nature of downloading Atsg Th400 Manual has democratized knowledge. Traditional books and academic journals can be expensive, making it difficult for individuals with limited financial resources to access information. By offering free PDF downloads, publishers and authors are enabling a wider audience to benefit from their work. This inclusivity promotes equal opportunities for learning and personal growth. There are numerous websites and platforms where individuals can download Atsg Th400 Manual. These websites range from academic databases offering research papers and journals to online libraries with an expansive collection of books from various genres. Many authors and publishers also upload their work to specific websites, granting readers access to their content without any charge. These platforms not only provide access to existing literature but also serve as an excellent platform for undiscovered authors to share their work with the world. However, it is essential to be cautious while downloading Atsg Th400 Manual. Some websites may offer pirated or illegally obtained copies of copyrighted material. Engaging in such activities not only violates copyright laws but also undermines the efforts of authors, publishers, and researchers. To ensure ethical downloading, it is advisable to utilize reputable websites that prioritize the legal distribution of content. When downloading Atsg Th400 Manual, users should also consider the potential security risks associated with online platforms. Malicious actors may exploit vulnerabilities in unprotected websites to distribute malware or steal personal information. To protect themselves, individuals should ensure their devices have reliable antivirus software installed and validate the legitimacy of the websites they are downloading from. In conclusion, the ability to download Atsg Th400 Manual has transformed the way we access information. With the convenience, cost-effectiveness, and accessibility it offers, free PDF downloads have become a popular choice for students, researchers, and book lovers.

worldwide. However, it is crucial to engage in ethical downloading practices and prioritize personal security when utilizing online platforms. By doing so, individuals can make the most of the vast array of free PDF resources available and embark on a journey of continuous learning and intellectual growth.

FAQs About Atsg Th400 Manual Books

What is a Atsg Th400 Manual PDF? A PDF (Portable Document Format) is a file format developed by Adobe that preserves the layout and formatting of a document, regardless of the software, hardware, or operating system used to view or print it. **How do I create a Atsg Th400 Manual PDF?** There are several ways to create a PDF: Use software like Adobe Acrobat, Microsoft Word, or Google Docs, which often have built-in PDF creation tools. Print to PDF: Many applications and operating systems have a "Print to PDF" option that allows you to save a document as a PDF file instead of printing it on paper. Online converters: There are various online tools that can convert different file types to PDF. **How do I edit a Atsg Th400 Manual PDF?** Editing a PDF can be done with software like Adobe Acrobat, which allows direct editing of text, images, and other elements within the PDF. Some free tools, like PDFescape or Smallpdf, also offer basic editing capabilities. **How do I convert a Atsg Th400 Manual PDF to another file format?** There are multiple ways to convert a PDF to another format: Use online converters like Smallpdf, Zamzar, or Adobe Acrobats export feature to convert PDFs to formats like Word, Excel, JPEG, etc. Software like Adobe Acrobat, Microsoft Word, or other PDF editors may have options to export or save PDFs in different formats. **How do I password-protect a Atsg Th400 Manual PDF?** Most PDF editing software allows you to add password protection. In Adobe Acrobat, for instance, you can go to "File" -> "Properties" -> "Security" to set a password to restrict access or editing capabilities. Are there any free alternatives to Adobe Acrobat for working with PDFs? Yes, there are many free alternatives for working with PDFs, such as: LibreOffice: Offers PDF editing features. PDFsam: Allows splitting, merging, and editing PDFs. Foxit Reader: Provides basic PDF viewing and editing capabilities. How do I compress a PDF file? You can use online tools like Smallpdf, ILovePDF, or desktop software like Adobe Acrobat to compress PDF files without significant quality loss. Compression reduces the file size, making it easier to share and download. Can I fill out forms in a PDF file? Yes, most PDF viewers/editors like Adobe Acrobat, Preview (on Mac), or various online tools allow you to fill out forms in PDF files by selecting text fields and entering information. Are there any restrictions when working with PDFs? Some PDFs might have restrictions set by their creator, such as password protection, editing restrictions, or print restrictions. Breaking these restrictions might require specific software or tools, which may or may not be legal depending on the circumstances and local laws.

Find Atsg Th400 Manual :

[read nfpa 22007](#)

yamaha cg111c guitars owners manual

ingenious women from tincture of saffron to flying machines

6 hp evinrude repair manual 1988

3525 mahindra service manual

~~economics march common test question paper and memorandum 24~~

~~2nd term examination for english for ss1~~

physical chemistry atkins 9th edition 4shared

bosch adjustable edge guide router

bosch alternator vs commodore diagrhm

mini cooper service manual one

[x2sli5 field maintenance manual](#)

manual nintendo ds xl

x200 tablet user guide

~~takeuchi tb10s compact excavator body parts manual~~

Atsg Th400 Manual :

key parameters of a laser system edmund optics - May 02 2023

web the following fundamental parameters are the most basic concepts of laser systems and are critical for understanding more advanced topics 1 wavelength typical units nm to μm a laser s wavelength describes the spatial frequency of the emitted light wave the optimal wavelength for a given use case is highly application dependent

laser cutting parameters 6 key factors for your laser - Apr 20 2022

web so what do we need to know about laser cutting parameters in this session russ explains why there is no such thing as a set of generic laser cutting parameters for laser machines although it is possible to derive the laser

[laser parameters basics and settings trotec laser](#) - Apr 01 2023

web a perfect laser engraving and laser cutting result can only be achieved with the right laser parameters laser parameters are a combination of the following settings power speed resolution ppi frequency hz passes air assist z offset controlled defocusing

laser cutting parameters for diode and dpss lasers - Feb 16 2022

web feb 7 2018 all you need to know about laser cutting parameters using diode and dpss laser modules type of material thickness type of the laser power lenses laser cutting speed loops

[effect of process parameters on laser cutting process a review](#) - Jul 24 2022

web jul 9 2016 laser cutting is energy based unconventional process used to cut complicated shapes of various types of materials the objective of this paper is to investigate the effect of parameters

how different parameters affect laser cutting baison - Jun 22 2022

web may 24 2023 how do laser parameters influence laser cutting quality the chosen of laser cutting parameters directly affect the laser cutting quality here s how each parameter contributes to laser cutting quality power less power won t be able to cut through sheets in comparison an overpowered laser will damage the material surface

laser cutting wikipedia - Oct 27 2022

web laser cutting is a technology that uses a laser to vaporize materials resulting in a cut edge while typically used for industrial manufacturing applications it is now used by schools small businesses architecture and hobbyists laser cutting works by directing the

[comprehensive guide to laser parameters for laser cutting](#) - Sep 06 2023

web feb 16 2023 the adjustable laser parameters that have a direct impact on laser cutting settings include power wavelength pulse width and spot size power is limited by the maximum power rating of the laser system the wavelength pulse width and spot size however can all be directly manipulated and changed

free laser cutting parameter calculator mantech machinery uk - Oct 07 2023

web laser cutting engraving parameter setting guides find video demos for cnc routers co2 lasers fibre lasers and more keep this page bookmarked as we update it on a regular basis starter settings please note these are basic guidelines only giving you a better understanding of the parameters to use or start with

laser cutting parameters thomasnet - Jun 03 2023

web laser cutting parameters the laser cutting parameters are dependent on the beam characteristics the cutting rate required the composition and thickness of the material to be cut and the desired cut edge quality the laser cutting process and cut quality depend upon the proper selection of laser and workpiece parameters

crucial parameters for laser engraving and cutting snapmaker - Dec 29 2022

web jan 10 2023 the snapmaker laser engraving and cutting machine can perform laser operations in the following three modes line filled engraving mode dot filled engraving mode and cutting mode in the following section we are going to learn how to test the work parameters under these three modes

laser cutting table thickness speed gas focus pressure - Aug 25 2022

web aug 27 2023 in this article we present a list of relevant parameters for ipg and raycus lasers including the cutting thickness cutting speed auxiliary gas focus pressure and cutting head size the listed ipg lasers include power outputs of 1000w 1500w 2000w 3000w 4000w 6000w and 8000w among others

prediction of laser cutting parameters for polymethylmethacrylate - May 22 2022

web jul 6 2020 four cutting parameters were used as input cutting parameters namely air pressure cutting speed thickness of pmma sheets and the laser beam power as they have a significant impact on the kerf geometry

modeling and process parameter optimization of laser cutting - Jan 30 2023

web may 23 2023 in general laser cutting quality is influenced by process parameters such as laser power scan speed repetition frequency pulse duration the type and pressure of the auxiliary gas and the type and thickness of the workpiece material removal rate surface roughness kerf width kw and heat affected zone haz are commonly

laser parameters basics and settings trotec laser - Feb 28 2023

web laser parameters are a combination of the following settings speed power hz passes air assist z offset controlled defocusing resolution ppi frequency hz passes laser parameters in the trotec jobcontrol laser software with the trotec jobcontrol software you will discover a wide selection of pre tested laser parameters already available

laser cutting parameters the ultimate guide acctek laser - Jul 04 2023

web finding the optimal laser cutting parameters requires a systematic and methodical approach as it involves optimizing various factors to achieve the desired cut quality speed and accuracy here is a detailed step by step guide on how to determine the best laser cutting parameters for your specific material and application

cutting parameters g u eagle laser - Mar 20 2022

web sep 22 2023 a set of appropriate cutting parameters is one of the most important technology for getting good machining results you can set a large group of parameters e g laser power cut speed focus position assist gas etc which can control almost every single detail of a cutting process

laser parameter an overview sciencedirect topics - Nov 27 2022

web in the laser cutting process laser parameters such as laser output power and pulsating frequency cutting speed assisting gas pressure and focal distance determine the end product quality the sideways burning along the cutting paths results in poor cutting quality particularly wedge forming in sheet metal

machining parameter optimization for laser machining - Sep 25 2022

web jul 1 2022 this study evaluates the combination of laser cutting parameters to produce good machining result by using statistical method via jmp software 4 variable parameters were considered including material thickness laser

laser cutting parameters the definitive guide baison - Aug 05 2023

web dec 27 2022 the laser parameters include laser cutting quality wavelength beam polarization power and intensity cutting speed processing gas focal point and material specifications importance of laser cutting parameters

jrc inmarsat fleetbroadband jue 501 quick reference manual - Jan 30 2023

web view and download jrc inmarsat fleetbroadband jue 501 quick reference manual online inmarsat fleetbroadband jue 501 conference system pdf manual download also for inmarsat fleetbroadband jue 251

jrc jue 501 fleetbroadband satcom global - May 02 2023

web overview features technical other info the latest generation maritime communications solution from jrc the jue 501 fleetbroadband provides simultaneous access to voice high speed data email fax and sms the new design antenna set inside a radome ranging just over 60cm plus the small below deck terminal ensure for a compact solution

supported sailing jrc world - Aug 25 2022

web note existing jue 251 or jue 501 can be used as part of the fx package but cannot be used separately unless disconnected from the gx terminal redundancy only applies in the overlap regions between gx i 5 satellites and fb i 4 satellites data transmission speed through the jue 251 or jue 501 will be at normal fb rates redundancy

inmarsat fleetbroadband fb500 fb250 maritime satellite jrc - Jun 03 2023

web jue 501 jue 251 iso 9001 iso 14001 certified code no 7zpsc0427 jul 2017 edition 5 not use the asbestos for further information contact url head office jrc co jp eng marine service department 1 7 32 tatsumi koto ku tokyo 135 0053 japan tmsc jrc co jp 81 50 3786 9201

jrc inmarsat jue 501 turkey marine service - Mar 20 2022

web brand jrc type jue 501 this inmarsat c system is jrc jue 501 we can supply to world wide and we can give service in all turkey ports keep in touch with us

jrc jue 501 fleetbroadband 500 wmj marine - Nov 27 2022

web jrc jue 501 fleetbroadband 500 availability contact us for availability brand new with factory warranty ship only via ground freight rate no flat rate jrc jue 501 fleetbroadband 500 jue501 list price us 17 598 90

jue 501 fleetbroadband specifications dimensions polar - Oct 27 2022

web with jrc s new jue 501 bde comes a whole new set of reliable interfacing such as a dedicated non solas voice distress port and an integrated wan selector between jrc s bde and other communication devices which switches the unit to a secondary network when the primary network is disconnected

inmarsat fleetbroadband jue 501 jrc japan radio co ltd - Oct 07 2023

web with jrc s new jue 501 bde comes a whole new set of reliable interfacing such as a dedicated non solas voice distress

port and an integrated wan selector between jrc s bde and other communication devices which switches the unit to a secondary network when the primary network is disconnected

download jrc jue 501 instruction manual manualslib - Jun 22 2022

web jrc jue 501 instruction manual brand jrc category marine equipment size 12 12 mb pages 407

fleetbroadband fleet one firmware inmarsat corporate website - May 22 2022

web jrc jue 250 version 01 61 size 5 mb jue 500 version 11 61 size 8 mb jue 251 version 2 60 size 14 mb jue 501 version 2 60 size 14 mb satlink satlink 150

jrc jue 501 instruction manual pdf download manualslib - Sep 06 2023

web view and download jrc jue 501 instruction manual online inmarsat fleetbroadband fb500 fb250 maritime satellite communication terminal jue 501 marine equipment pdf manual download also for jue 251 inmarsat fleetbroadband fb500 inmarsat fleetbroadband fb250

jue 501 tmq - Apr 20 2022

web the jue 501 the latest generation maritime communication solution from jrc is compactly designed easy to install and puts high speed connectivity right at your fingertips

inmarsat fleetbroadband jue 501 jue 251 quick reference jrc - Jul 04 2023

web how to turn off the jue 501 jue 251 press the power switch again screen and all led lamps are cleared then operation is terminated initializing initialize apac e143 5 14 03 utc sat search registering to network apac e143 5 14 03 utc registering apac e143 5 14 03 utc cs ps ready turn on jue 501 jue 251 by pushing power switch

jrc jue 501 fleetbroadband mackay communications inc - Dec 29 2022

web the jrc jue 501 fleetbroadband is the highest performing l band satellite terminal of jrc s 2 nd generation inmarsat fleetbroadband maritime communication solution family replacing jrc s jue 500 fleetbroadband model jue 501 s new compact antenna and below deck design is easy to install with a single coax cable

jrc fb500 fb250 terminal jue 501 jue 251 new software version - Feb 16 2022

web dec 29 2014 jrc fb500 fb250 terminal jue 501 jue 251 new software version en english deutsch français español português italiano român nederlands latina dansk svenska norsk magyar bahasa indonesia türkçe suomi latvian lithuanian český русский български unknown

jue 501 jrc europe pdf catalogs nauticexpo - Feb 28 2023

web features features the jue 501 the latest generation maritime communication solution from jrc is compactly designed easy to install and puts high speed connectivity right at your fingertips proven antenna design our company s long experience of antenna design has ensured that the antenna is robust and easy to install

jrc lte japan radio co ltd - Apr 01 2023

web jrc lte japan radio co ltd

jrc inmarsat fleetbroadband jue 501 instruction manual - Jul 24 2022

web view online 406 pages or download pdf 11 mb jrc inmarsat fleetbroadband jue 501 instruction manual inmarsat fleetbroadband jue 501 pdf manual download and more jrc online manuals

jue 501 weight and dimensions specifications fleetbroadband - Aug 05 2023

web jue 501 transmit 1626 5 1660 5 mhz 1668 0 1675 0 mhz receive 1518 0 1559 0 mhz 4 kbps voice g3 fax streaming ip 8 16 32 64 128 256 kbps standard ip 432 kbps sms 3g up to 160 characters 54 cm flat diameter 3 axis control system gfrp enclosure 22 in 3db direction

jrc fb 500 250 terminal jue 501 jue 251 new software - Sep 25 2022

web jrc fb500 fb250 terminal jue 501 jue 251 new software version 01 65 release jrc has released new software app 01 version 65 for fleet broadband jue 501 and jue 251 mobile terminals changes from app 01 57 to 01 65 following functions have been added and improved functions added

leselöwen 1 klasse ein spannendes autorennen apple books - Jun 22 2022

web leselöwen 1 klasse ein spannendes autorennen buch fr 14 90 das meinen unsere kund innen 0 0 0 bewertungen informationen zu bewertungen informationen zu

leselöwen 1 klasse ein spannendes autorennen orell füssli - May 22 2022

web leselöwen 1 klasse ein spannendes autorennen von katja richert jetzt im weltbild bücher shop bestellen reinklicken tolle bücher highlights entdecken

ein spannendes autorennen leselöwen 1 klasse - Jun 03 2023

web isbn 978 3 7855 8597 9 hardcover 8 95 d 9 20 a vincent geht zu seinem ersten autorennen und kann sein glück kaum fassen er darf in die boxengasse und lernt

leselöwen 1 klasse ein spannendes autorennen - Aug 25 2022

web bücher die kinder gerne lesen wollen beliebtes thema autos ausgewogenes text bild verhältnis große schrift kurze kapitel geeignet zum ersten selberlesen

leselöwen 1 klasse ein spannendes autorennen erstlesebuch - Jul 04 2023

web ein spannendes autorennen leselöwen 1 klasse vincent geht zu seinem ersten autorennen und kann sein glück kaum fassen er darf in die boxengasse und lernt

spannendes autorennen leselöwen 1 klasse ein loewe verlag - Apr 01 2023

web klasse ein spannendes autorennen en apple books leselöwen 1 klasse leselöwen 1 klasse ein spannendes autorennen

erstlesebuch für kinder ab 6 jahre katja richert

leselöwen 1 klasse ein spannendes autorennen thalia - May 02 2023

web jan 24 2018 book depository is the world s most international online bookstore offering over 20 million books with free delivery worldwide

leselöwen 1 klasse ein spannendes autorennen apple books - Jan 30 2023

web leselöwen 1 klasse ein spannendes autorennen zurück zur liste

leselöwen 1 klasse ein spannendes autorennen perspection inc - Nov 15 2021

leselöwen 1 klasse ein spannendes autorennen lünebuch de - Jan 18 2022

web 1 leselöwen 1 klasse ein spannendes autorennen right here we have countless books leselöwen 1 klasse ein spannendes autorennen and collections to check out we

leselöwen 1 klasse ein spannendes autorennen - Oct 07 2023

web leselöwen 1 klasse ein spannendes autorennen erstlesebuch für kinder ab 6 jahre bücher die kinder gerne lesen wollen beliebtes thema autos

leselöwen 1 klasse ein spannendes autorennen kobo com - Sep 25 2022

web buch gebunden 8 95 in den warenkorb kauf auf rechnung kostenlose rücksendung produktetails produktbeschreibung autorenporträt biblio angaben produktetails

leselöwen 1 klasse ein spannendes autorennen weltbild - Jul 24 2022

web jan 2 2023 jetzt online bestellen heimlieferung oder in filiale leselöwen 1 klasse ein spannendes autorennen erstlesebuch für kinder ab 6 jahre von katja richert orell

leselöwen 1 klasse ein spannendes autorennen saxo - Dec 17 2021

leselöwen 1 klasse ein spannendes autorennen lernando - Nov 27 2022

web read leselöwen 1 klasse ein spannendes autorennen erstlesebuch für kinder ab 6 jahre by katja richert available from rakuten kobo bücher die kinder gerne lesen

leselöwen 1 klasse ein spannendes autorennen apple books - Dec 29 2022

web klasse ein spannendes autorennen vincent geht zu seinem ersten autorennen und kann sein glück kaum fassen er darf in die boxengasse und lernt einen echten

leselöwen 1 klasse ein spannendes autorennen weltbild - Mar 20 2022

web sep 15 2021 bücher die kinder gerne lesen wollen beliebtes thema autos ausgewogenes text bild verhältnis große

schrift kurze kapitel geeignet zum

leselöwen 1 klasse ein spannendes autorennen book - Feb 28 2023

web leselöwen 1 klasse ein spannendes autorennen apple books kinder 2021

leselöwen 1 klasse ein spannendes autorennen bei lylli - Oct 27 2022

web leselöwen 1 klasse ein spannendes von richert katja jetzt online bestellen portofrei schnell zuverlässig kein
mindestbestellwert individuelle rechnung 20 millionen

leselöwen 1 klasse ein spannendes autorennen erstleser - Feb 16 2022

web få leselöwen 1 klasse ein spannendes autorennen af katja richert som e bog på tysk 9783732016679 bøger rummer alle
sider af livet læs lyt lev blandt millioner af

leselöwen 1 klasse ein spannendes autorennen loewe verlag - Sep 06 2023

web leselöwen 1 klasse ein spannendes autorennen erstlesebuch für kinder ab 6 jahre loewe erstlesebücher richert katja
böhm michael isbn 9783785585979

leselöwen 1 klasse ein spannendes autorennen orell füssli - Apr 20 2022

web vincent geht zu seinem ersten autorennen und kann sein glück kaum fassen er darf in die boxengasse und lernt einen
echten rennfahrer kennen als der

leselöwen 1 klasse ein spannendes autorennen erstlesebuch - Aug 05 2023

web katja richert leselöwen 1 klasse ein spannendes autorennen erstlesebuch für kinder ab 6 jahre kindle ausgabe von katja
richert autor michael böhm illustrator 1