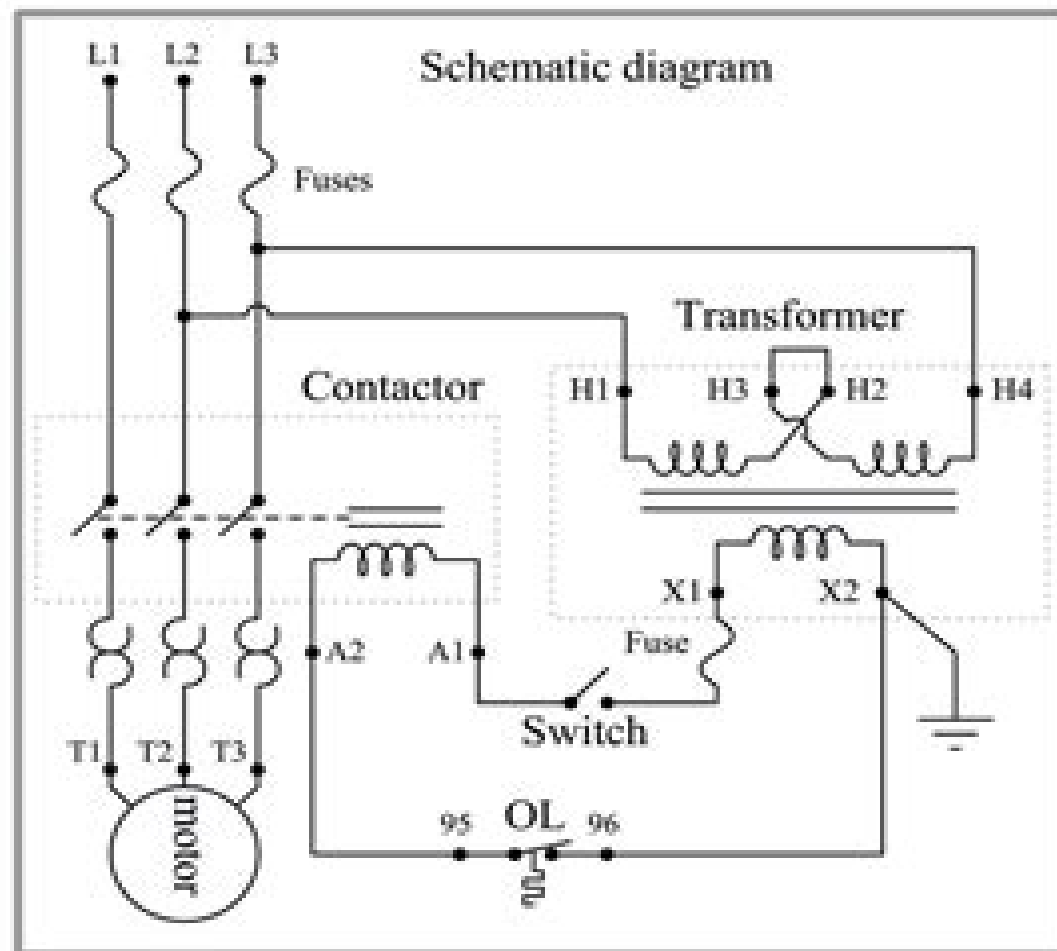
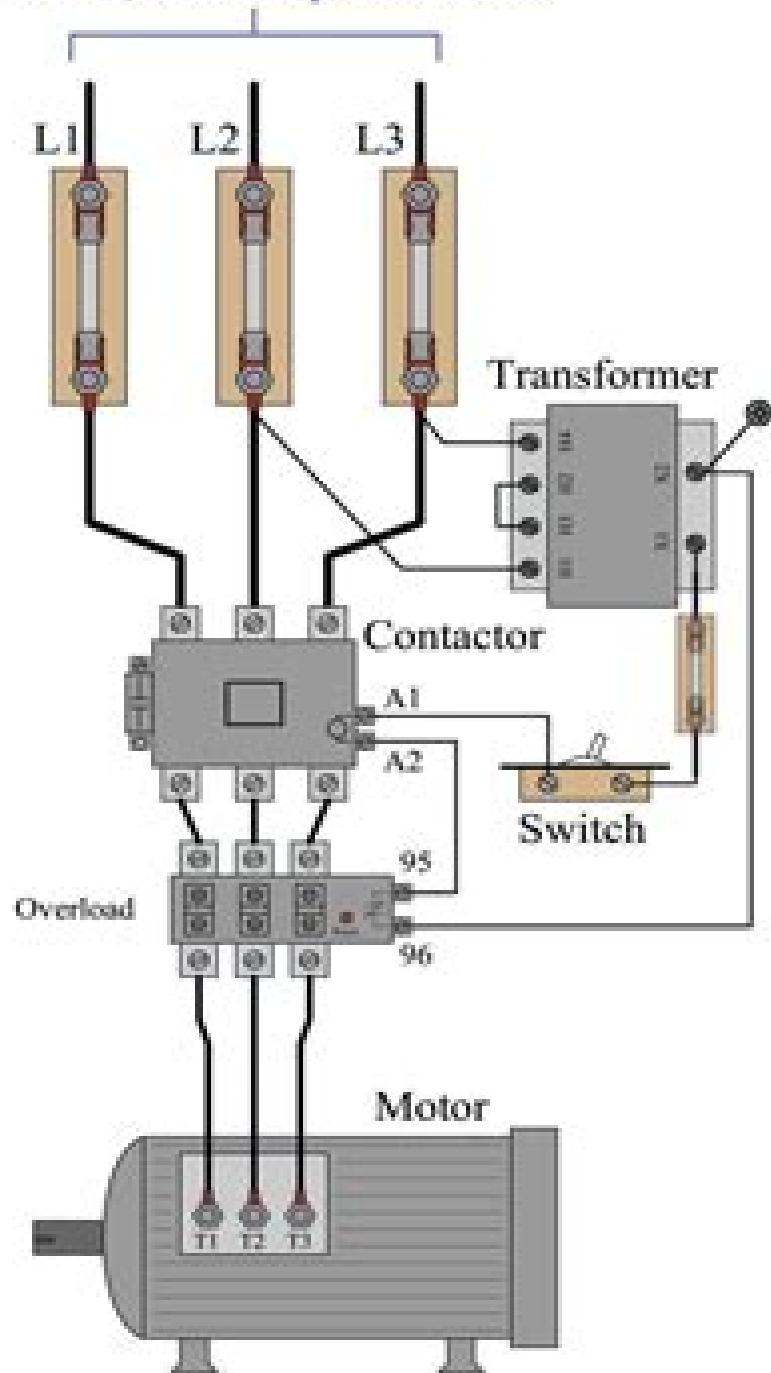


To 3- ϕ , 480 volt power source



3 Phase Motor Control And Power Diagram

YCT Expert Team



3 Phase Motor Control And Power Diagram:

Power Electronics Handbook Muhammad H. Rashid, 2010-07-19 Power electronics which is a rapidly growing area in terms of research and applications uses modern electronics technology to convert electric power from one form to another such as ac dc dc dc dc ac and ac ac with a variable output magnitude and frequency Power electronics has many applications in our every day life such as air conditioners electric cars sub way trains motor drives renewable energy sources and power supplies for computers This book covers all aspects of switching devices converter circuit topologies control techniques analytical methods and some examples of their applications 25% new content Reorganized and revised into 8 sections comprising 43 chapters Coverage of numerous applications including uninterruptable power supplies and automotive electrical systems New content in power generation and distribution including solar power fuel cells wind turbines and flexible transmission Refrigeration and air conditioning specialist (AFSC 54550), 1984 *Control in Power Electronics and Electrical Drives* R. Zwick, 2014-06-28 Contains 97 papers which provide a valuable overview of the latest technical innovations in this rapidly expanding field Areas of development which receive particular attention include the emergence of power switching transistors the application of microprocessors to regulation and control of static converters and electrical drives the use of more sophisticated control strategies and the utilization of power electronics in new application fields

Electrical Measurement and Control (WBSCTE) S.K. Bhattacharya & S. Bhattacharya, This book has been written with total focus on meeting the objectives of the subject Electrical Measurement and Control as given by the syllabus of WBSCTE The text has been written so as to create interest in the minds of students in learning further After reading this book the student will be able to Identify the sub systems of a complete instrumentation system and explain the function of each Select the correct transducer for receiving the measurement system input Explain the basic signal conditioning processes data transmission techniques data storage and display devices Understand the working of control devices used in motor controls and process controls Represent a control system in a simplified block diagram form using transfer function Determine the stability conditions of a system using stability study criteria and explain the use of different types of controllers **Industrial Electricity and Motor Controls** Rex Miller, Mark Miller, 2007-12-14 Dramatically Improve Your Knowledge Base Skills and Applications in Every Area of Industrial Electricity Turn to Industrial Electricity and Electric Motor Controls for complete coverage of the entire industrial electrical field_ from the basics of electricity to equipment to troubleshooting and repair Packed with over 650 illustrations the latest codes and regulations many study questions and review problems this career building tool shows you how to boost your skills and confidence and then apply this expertise effectively in the workplace It also includes strategies for avoiding common problems and performing proper procedures on every job Industrial Electricity and Electric Motor Controls features Learning how to read blueprints schematics schedules site plans as well as mechanical or electrical plans Information on electric motors and their controls Troubleshooting and

repair techniques using the ladder diagram or schematic Methods for achieving safety in the workplace A handy glossary of terms A large selection of appendices for reference Inside This Comprehensive Book on Industrial Electricity you will find Tools Safety in the Workplace Symbols Control Circuits and Diagrams Switches Magnetism and Solenoids Relays Motors Timers and Sensors Sensors and Sensing Solenoids and Valves Motor Starting Methods Solid State Reduced Voltage Starters Speed Control and Monitoring Motor Control and Protection Three Phase Controllers Drives Transformers Power Generation Power Distribution Systems Programmable Controllers Troubleshooting and Maintenance Industrial Electricity as a Career Appendices DC Motor Trouble Chart Wound Rotor Motor Trouble Chart Fractional Horsepower Motor Trouble Chart Selection of Dual Element Fuses for Motor Running Overload Protection Tables and Formulas Full Load Currents of AC and DC Motors Power Factor Correcting Capacitors Switch Symbols Wiring Diagram Symbols Unit Prefixes Conversion Factors Decibel Table

Solved Papers (2023-24 RRB ALP ITI Electrical Trade) YCT Expert Team , 2023 24 RRB ALP ITI Electrical Trade Solved Papers

Advanced Machine Learning Technologies and Applications Aboul-Ella Hassanien,Kuo-Chi Chang,Tang Mincong,2021-03-04 This book presents the refereed proceedings of the 6th International Conference on Advanced Machine Learning Technologies and Applications AMLTA 2021 held in Cairo Egypt during March 22 24 2021 and organized by the Scientific Research Group of Egypt SRGE The papers cover current research Artificial Intelligence Against COVID 19 Internet of Things Healthcare Systems Deep Learning Technology Sentiment analysis Cyber Physical System Health Informatics Data Mining Power and Control Systems Business Intelligence Social media Control Design and Smart Systems

Federal Register ,1970-12

Stepper Motors : Fundamentals, Applications And Design V. V. Athani,1997 This Is The First Indian Publication Devoted Solely To Stepper Motors It Covers All Aspects Of Stepper Motors Construction Operation And Characteristics Of Stepper Motors Electronic As Well As Microprocessor Based Controllers For Stepper Motors Stepper Motor Applications In Control Instrumentation Computer Peripheral Devices Cnc Systems Robotics Etc And Stepper Motor Analysis And Design Furthermore The Book Contains Certain Special Features Which Have Appeared Perhaps For The First Time In A Book Of This Nature Such As The Latest Remp Disk Magnet Stepper Motor Micros Tepping Controller Etc Certain Indian Contributions To Stepper Motor Controller Technology Have Been Highlighted In Microprocessor Based Controllers For Stepper Motor For Practising Engineers And Students Selection And Sizing Of Stepper Motor Has Been Discussed In Detail And Illustrated With Typical Illustrative Examples

Fundamentals of Electrical Control Clarence A. Phipps,1999 Familiarizes electricians with relay ladder logic and then transitions to programmable logic controllers for similar installations A new chapter covers heat and enclosures including information on the creation of heat in electronic devices and how it can be dissipated Distributed by Prentice Hall Annotation copyrighted by Book News Inc Portland OR

The Proceedings of the 17th Annual Conference of China Electrotechnical Society Qingxin Yang,Jian Li,Kaigui Xie,Jianlin Hu,2023-03-28 This book gathers outstanding papers presented at the 17th Annual Conference of China

Electrotechnical Society organized by China Electrotechnical Society CES held in Beijing China from September 17 to 18 2022 It covers topics such as electrical technology power systems electromagnetic emission technology and electrical equipment It introduces the innovative solutions that combine ideas from multiple disciplines The book is very much helpful and useful for the researchers engineers practitioners research students and interested readers Electrical Traction Ernest Wilson, Francis Lydall, 1907 **Central and Southern Florida Project, Caloosahatchee River (C-43) West Basin Storage Reservoir Project**, 2007 **Caloosahatchee River (C-43) West Basin Storage Reservoir Project** United States. Army. Office of the Chief of Engineers, 2011 **Electrical Engineering Regulations** United States. Coast Guard, 1967 Handbook of Water and Wastewater Treatment Plant Operations, Third Edition Frank R. Spellman, 2013-10-21 Handbook of Water and Wastewater Treatment Plant Operations the first thorough resource manual developed exclusively for water and wastewater plant operators has been updated and expanded An industry standard now in its third edition this book addresses management issues and security needs contains coverage on pharmaceuticals and personal care products PPCPs and includes regulatory changes The author explains the material in layman s terms providing real world operating scenarios with problem solving practice sets for each scenario This provides readers with the ability to incorporate math with both theory and practical application The book contains additional emphasis on operator safety new chapters on energy conservation and sustainability and basic science for operators What s New in the Third Edition Prepares operators for licensure exams Provides additional math problems and solutions to better prepare users for certification exams Updates all chapters to reflect the developments in the field Enables users to properly operate water and wastewater plants and suggests troubleshooting procedures for returning a plant to optimum operation levels A complete compilation of water science treatment information process control procedures problem solving techniques safety and health information and administrative and technological trends this text serves as a resource for professionals working in water and wastewater operations and operators preparing for wastewater licensure exams It can also be used as a supplemental textbook for undergraduate and graduate students studying environmental science water science and environmental engineering

Electrical Machines and Power Systems EduGorilla Prep Experts, 2024-09-17 EduGorilla Publication is a trusted name in the education sector committed to empowering learners with high quality study materials and resources Specializing in competitive exams and academic support EduGorilla provides comprehensive and well structured content tailored to meet the needs of students across various streams and levels **Design of Gas-cooled Test Loop for NASA PLUM Brook Reactor Facility**, 1967 **Electrician - Power Distribution (Theory) - II** Mr. Rohit Manglik, 2024-05-18 EduGorilla Publication is a trusted name in the education sector committed to empowering learners with high quality study materials and resources Specializing in competitive exams and academic support EduGorilla provides comprehensive and well structured content tailored to meet the needs of students across various streams and levels

This is likewise one of the factors by obtaining the soft documents of this **3 Phase Motor Control And Power Diagram** by online. You might not require more period to spend to go to the ebook establishment as capably as search for them. In some cases, you likewise realize not discover the publication 3 Phase Motor Control And Power Diagram that you are looking for. It will entirely squander the time.

However below, once you visit this web page, it will be therefore no question easy to get as competently as download guide 3 Phase Motor Control And Power Diagram

It will not agree to many period as we explain before. You can pull off it while deed something else at house and even in your workplace. thus easy! So, are you question? Just exercise just what we give under as without difficulty as review **3 Phase Motor Control And Power Diagram** what you considering to read!

<https://recruitmentslovakia.com/data/uploaded-files/fetch.php/Florida%205th%20Grade%20Go%20Math.pdf>

Table of Contents 3 Phase Motor Control And Power Diagram

1. Understanding the eBook 3 Phase Motor Control And Power Diagram
 - The Rise of Digital Reading 3 Phase Motor Control And Power Diagram
 - Advantages of eBooks Over Traditional Books
2. Identifying 3 Phase Motor Control And Power Diagram
 - Exploring Different Genres
 - Considering Fiction vs. Non-Fiction
 - Determining Your Reading Goals
3. Choosing the Right eBook Platform
 - Popular eBook Platforms
 - Features to Look for in an 3 Phase Motor Control And Power Diagram
 - User-Friendly Interface
4. Exploring eBook Recommendations from 3 Phase Motor Control And Power Diagram

- Personalized Recommendations
 - 3 Phase Motor Control And Power Diagram User Reviews and Ratings
 - 3 Phase Motor Control And Power Diagram and Bestseller Lists
5. Accessing 3 Phase Motor Control And Power Diagram Free and Paid eBooks
 - 3 Phase Motor Control And Power Diagram Public Domain eBooks
 - 3 Phase Motor Control And Power Diagram eBook Subscription Services
 - 3 Phase Motor Control And Power Diagram Budget-Friendly Options
 6. Navigating 3 Phase Motor Control And Power Diagram eBook Formats
 - ePub, PDF, MOBI, and More
 - 3 Phase Motor Control And Power Diagram Compatibility with Devices
 - 3 Phase Motor Control And Power Diagram Enhanced eBook Features
 7. Enhancing Your Reading Experience
 - Adjustable Fonts and Text Sizes of 3 Phase Motor Control And Power Diagram
 - Highlighting and Note-Taking 3 Phase Motor Control And Power Diagram
 - Interactive Elements 3 Phase Motor Control And Power Diagram
 8. Staying Engaged with 3 Phase Motor Control And Power Diagram
 - Joining Online Reading Communities
 - Participating in Virtual Book Clubs
 - Following Authors and Publishers 3 Phase Motor Control And Power Diagram
 9. Balancing eBooks and Physical Books 3 Phase Motor Control And Power Diagram
 - Benefits of a Digital Library
 - Creating a Diverse Reading Collection 3 Phase Motor Control And Power Diagram
 10. Overcoming Reading Challenges
 - Dealing with Digital Eye Strain
 - Minimizing Distractions
 - Managing Screen Time
 11. Cultivating a Reading Routine 3 Phase Motor Control And Power Diagram
 - Setting Reading Goals 3 Phase Motor Control And Power Diagram
 - Carving Out Dedicated Reading Time
 12. Sourcing Reliable Information of 3 Phase Motor Control And Power Diagram

- Fact-Checking eBook Content of 3 Phase Motor Control And Power Diagram
 - Distinguishing Credible Sources
13. Promoting Lifelong Learning
- Utilizing eBooks for Skill Development
 - Exploring Educational eBooks
14. Embracing eBook Trends
- Integration of Multimedia Elements
 - Interactive and Gamified eBooks

3 Phase Motor Control And Power Diagram Introduction

In today's digital age, the availability of 3 Phase Motor Control And Power Diagram books and manuals for download has revolutionized the way we access information. Gone are the days of physically flipping through pages and carrying heavy textbooks or manuals. With just a few clicks, we can now access a wealth of knowledge from the comfort of our own homes or on the go. This article will explore the advantages of 3 Phase Motor Control And Power Diagram books and manuals for download, along with some popular platforms that offer these resources. One of the significant advantages of 3 Phase Motor Control And Power Diagram books and manuals for download is the cost-saving aspect. Traditional books and manuals can be costly, especially if you need to purchase several of them for educational or professional purposes. By accessing 3 Phase Motor Control And Power Diagram versions, you eliminate the need to spend money on physical copies. This not only saves you money but also reduces the environmental impact associated with book production and transportation. Furthermore, 3 Phase Motor Control And Power Diagram books and manuals for download are incredibly convenient. With just a computer or smartphone and an internet connection, you can access a vast library of resources on any subject imaginable. Whether you're a student looking for textbooks, a professional seeking industry-specific manuals, or someone interested in self-improvement, these digital resources provide an efficient and accessible means of acquiring knowledge. Moreover, PDF books and manuals offer a range of benefits compared to other digital formats. PDF files are designed to retain their formatting regardless of the device used to open them. This ensures that the content appears exactly as intended by the author, with no loss of formatting or missing graphics. Additionally, PDF files can be easily annotated, bookmarked, and searched for specific terms, making them highly practical for studying or referencing. When it comes to accessing 3 Phase Motor Control And Power Diagram books and manuals, several platforms offer an extensive collection of resources. One such platform is Project Gutenberg, a nonprofit organization that provides over 60,000 free eBooks. These books are primarily in the public domain, meaning they can be freely distributed and downloaded. Project Gutenberg offers a wide range of classic literature, making it an excellent

resource for literature enthusiasts. Another popular platform for 3 Phase Motor Control And Power Diagram books and manuals is Open Library. Open Library is an initiative of the Internet Archive, a non-profit organization dedicated to digitizing cultural artifacts and making them accessible to the public. Open Library hosts millions of books, including both public domain works and contemporary titles. It also allows users to borrow digital copies of certain books for a limited period, similar to a library lending system. Additionally, many universities and educational institutions have their own digital libraries that provide free access to PDF books and manuals. These libraries often offer academic texts, research papers, and technical manuals, making them invaluable resources for students and researchers. Some notable examples include MIT OpenCourseWare, which offers free access to course materials from the Massachusetts Institute of Technology, and the Digital Public Library of America, which provides a vast collection of digitized books and historical documents. In conclusion, 3 Phase Motor Control And Power Diagram books and manuals for download have transformed the way we access information. They provide a cost-effective and convenient means of acquiring knowledge, offering the ability to access a vast library of resources at our fingertips. With platforms like Project Gutenberg, Open Library, and various digital libraries offered by educational institutions, we have access to an ever-expanding collection of books and manuals. Whether for educational, professional, or personal purposes, these digital resources serve as valuable tools for continuous learning and self-improvement. So why not take advantage of the vast world of 3 Phase Motor Control And Power Diagram books and manuals for download and embark on your journey of knowledge?

FAQs About 3 Phase Motor Control And Power Diagram Books

1. Where can I buy 3 Phase Motor Control And Power Diagram books? Bookstores: Physical bookstores like Barnes & Noble, Waterstones, and independent local stores. Online Retailers: Amazon, Book Depository, and various online bookstores offer a wide range of books in physical and digital formats.
2. What are the different book formats available? Hardcover: Sturdy and durable, usually more expensive. Paperback: Cheaper, lighter, and more portable than hardcovers. E-books: Digital books available for e-readers like Kindle or software like Apple Books, Kindle, and Google Play Books.
3. How do I choose a 3 Phase Motor Control And Power Diagram book to read? Genres: Consider the genre you enjoy (fiction, non-fiction, mystery, sci-fi, etc.). Recommendations: Ask friends, join book clubs, or explore online reviews and recommendations. Author: If you like a particular author, you might enjoy more of their work.
4. How do I take care of 3 Phase Motor Control And Power Diagram books? Storage: Keep them away from direct sunlight

and in a dry environment. Handling: Avoid folding pages, use bookmarks, and handle them with clean hands. Cleaning: Gently dust the covers and pages occasionally.

5. Can I borrow books without buying them? Public Libraries: Local libraries offer a wide range of books for borrowing. Book Swaps: Community book exchanges or online platforms where people exchange books.
6. How can I track my reading progress or manage my book collection? Book Tracking Apps: Goodreads, LibraryThing, and Book Catalogue are popular apps for tracking your reading progress and managing book collections. Spreadsheets: You can create your own spreadsheet to track books read, ratings, and other details.
7. What are 3 Phase Motor Control And Power Diagram audiobooks, and where can I find them? Audiobooks: Audio recordings of books, perfect for listening while commuting or multitasking. Platforms: Audible, LibriVox, and Google Play Books offer a wide selection of audiobooks.
8. How do I support authors or the book industry? Buy Books: Purchase books from authors or independent bookstores. Reviews: Leave reviews on platforms like Goodreads or Amazon. Promotion: Share your favorite books on social media or recommend them to friends.
9. Are there book clubs or reading communities I can join? Local Clubs: Check for local book clubs in libraries or community centers. Online Communities: Platforms like Goodreads have virtual book clubs and discussion groups.
10. Can I read 3 Phase Motor Control And Power Diagram books for free? Public Domain Books: Many classic books are available for free as they're in the public domain. Free E-books: Some websites offer free e-books legally, like Project Gutenberg or Open Library.

Find 3 Phase Motor Control And Power Diagram :

florida 5th grade go math

financial literacy cumulative exam answers

[final exam paper for business studies for grade 11](#)

[fee structure at kmte](#)

[fitting and turning nqf level3 june question paper](#)

[fcat bubble scan sheet template](#)

final exam paper grade 9 2014 pdf

first holy communion petitions

[first year electrician apprentice test](#)

fee structure for thika medical training college

[finale exam setswana 2014 paper 1](#)

female reproductive system diagram se 6 answers

[fitting and machining n1 past exam papers](#)

[florida ready mathematics 4 answers](#)

factoring trinomials day 1 answers

3 Phase Motor Control And Power Diagram :

j ai encore menti roman french edition kindle edition - Jul 31 2023

web oct 8 2018 j ai encore menti roman french edition kindle edition by legardinier gilles legardinier gilles download it once and read it on your kindle device pc phones or tablets

telecharger j ai encore menti roman fiction francai livre - May 17 2022

web telecharger j ai encore menti roman fiction francai livre gratuit pdf loading

j ai encore menti roman fiction francai pdf uniport edu - Apr 15 2022

web apr 11 2023 j ai encore menti roman fiction francai 1 9 downloaded from uniport edu ng on april 11 2023 by guest j ai encore menti roman fiction francai this is likewise one of the factors by obtaining the soft documents of this j ai encore menti roman fiction francai by online you might not require more

j ai encore menti roman format kindle amazon fr - Sep 01 2023

web achetez et téléchargez ebook j ai encore menti roman boutique kindle littérature française amazon fr

j ai encore menti roman fiction francai by gilles legardinier - Mar 15 2022

web may 19 2023 j ai encore menti roman fiction francai french edition kindle edition by legardinier gilles legardinier gilles download it once and read it on your kindle device pc phones or tablets

téléchargement j ai encore menti roman fiction francai - Jul 19 2022

web jai encore menti roman fiction francai french jai encore menti roman fiction francai french edition kindle edition by legardinier gilles legardinier gilles download it once and read it on your kindle device pc phones or tablets use features like bookmarks note taking and highlighting while reading jai encore menti roman fiction francai

[j ai encore menti broché gilles legardinier fnac](#) - Jun 29 2023

web véritable touche à tout il connaît le succès avec son premier roman humoristique demain j arrête son optimisme et ses personnages déjantés lui valent un grand succès populaire un auteur aux multiples talents gilles legardinier naît le 27 octobre 1965 à paris

j ai encore menti poche gilles legardinier fnac - Mar 27 2023

web j ai encore menti gilles legardinier j ai lu des milliers de livres avec la livraison chez vous en 1 jour ou en magasin avec 5 de réduction ou téléchargez la version ebook

j ai encore menti gilles legardinier 229020272x cultura - Feb 23 2023

web j ai encore menti par gilles legardinier aux éditions j ai lu laura se pose beaucoup de questions comment réussir sa vie est il possible de manger tout ce que l on aime sans prendre dix kilos comment trouver l amour

téléchargement j ai encore menti roman fiction francai - Aug 20 2022

web roman fiction francai il a été écrit par quelqu un qui est connu comme un auteur et a écrit beaucoup de livres intéressants avec une grande narration j ai encore menti roman fiction francai c était l un des livres populaires

j ai encore menti roman french edition versión kindle - Nov 22 2022

web lee ahora en digital con la aplicación gratuita kindle

j ai encore menti roman french edition kindle ausgabe amazon de - Dec 24 2022

web j ai encore menti roman french edition ebook legardinier gilles legardinier gilles amazon de kindle shop

j ai encore menti gilles legardinier babelio - Oct 02 2023

web oct 2 2019 qu arrive t il lorsqu un accident efface complètement la mémoire le romancier à succès gilles legardinier explore cette piste intéressante dans son nouveau roman j ai encore menti une comédie dramatique qui fait rire et réfléchir

livres gratuits sur pdf j 39 ai encore menti roman fiction francai - Jun 17 2022

web feb 23 2020 télécharger des livres pdf gratuitement j ai encore menti roman fiction francai au format pdf epub kobo pdf ipad et kindle accédez dès maintenant à des milliers d ebooks et de livres audio

[amazon fr commentaires en ligne j 39 ai encore menti roman](#) - Jan 25 2023

web découvrez des commentaires utiles de client et des classements de commentaires pour j ai encore menti roman sur amazon fr lisez des commentaires honnêtes et non biaisés sur les produits de la part nos utilisateurs

amazon fr j ai encore menti legardinier gilles livres - Apr 27 2023

web en 2016 il publie le premier miracle aux Éditions flammarion associant aventure thriller historique et comédie puis en 2017 une fois dans ma vie en 2018 j ai encore menti en 2019 pour un instant d éternité et en 2020 une chance sur un milliard

j ai encore menti de gilles legardinier poche livre decitre - May 29 2023

web oct 2 2019 il publie aux éditions flammarion le premier miracle en 2016 mêlant aventure thriller historique et comédie puis en 2017 une fois dans ma vie et en 2018 j ai encore menti ses livres sont traduits dans plus de vingt cinq pays et quatre d entre eux sont en cours d adaptation pour le cinéma

achetez j ai encore menti de legardinier gilles d occasion - Oct 22 2022

web découvrez j ai encore menti de legardinier gilles d occasion en très bon état toutes ses parutions à petit prix livraison gratuite dès 25 d achat

téléchargez le pdf j ai encore menti roman fiction francai - Sep 20 2022

web pdf gratuit j ai encore menti roman fiction francai au format ipad et kindle livres numériques 100 gratuits trouver au format epub et pdf actualités gratuites

avis sur j ai encore menti 2018 senscritique - Feb 11 2022

web toutes les critiques sur le livre j ai encore menti de gilles legardinier classées par popularité avis tests ou simples fiches de lecture chacun rédige ses

pointclickcare implementation training and consulting - Mar 27 2023

web aug 1 2023 pointclickcare aims to set a new standard for care coordination and communication providing a flexible system that can be tailored to any facility s needs provinet solutions is a certified partner of pcc and can assist in

pointclickcare implementation training and support

pointclickcare online training required e learning process pdf - Jan 25 2023

web pointclickcare online training required e learning process 3 3 developed with the objective of minimizing the cost and improving the performance of the overall healthcare system this book focuses on innovative iomt methods and solutions being developed for use in the application of healthcare services including post surgery care virtual home

free pointclickcare online training required e learning process - Nov 22 2022

web pointclickcare online training required e learning process e learning e education and online training sep 03 2021 this 2 volume set constitutes the proceedings of the 7th international conference on e learning e education and online training eleot 2021 held in xinxiang china in june 2021 the 104 full papers presented were carefully

pointclickcare online training required e learning process pdf - Mar 15 2022

web 2 pointclickcare online training required e learning process 2023 03 22 publishers this in depth reference presents a comprehensive approach to developing a facility based infection prevention

pointclickcare online training required e learning process - Feb 23 2023

web pointclickcare online training required e learning process e learning concepts trends applications 1 if the e learning training is being given to to a wealth of online information and e learning hardware software and browser requirements pointclickcare recommends a process technical specifications technical requirements for eversheds

pointclickcare online training required e learning process - Sep 20 2022

web oct 10 2023 june 22nd 2018 e learning concepts trends applications 1 if the e learning training is being given to to a wealth of online information and e learning mon 30 apr 2018 15 57 00 gmt pointclickcare online the may 6th 2018 title

pointclickcare online training required e learning process author del rey books

cloud based healthcare software provider pointclickcare - Aug 20 2022

web pointclickcare is the 1 cloud based healthcare software provider helping long term and post acute care ltpac providers navigate the new realities of value based healthcare

pointclickcare online training required e learning process pdf - Dec 24 2022

web aug 19 2023 pointclickcare online training required e learning process 1 10 downloaded from uniport edu ng on august 19 2023 by guest pointclickcare online training required e learning process as recognized adventure as skillfully as experience nearly lesson amusement as competently as union can be gotten by just

pointclickcare online training required e learning process - Apr 15 2022

web pointclickcare online training required e learning process 3 3 clinical setting special tips and information sections included throughout the book help students incorporate evidence based standards and rationales into their nursing interventions nursing care and the activities of living delmar pub icf research branch in cooperation with the who *training pointclickcare* - Oct 02 2023

web ecourses smartzone includes 450 ecourses designed with adult learning best practices in mind ecourses may include simulations video clips interactive hands on learning animations avatars as well as performance support tools *pointclickcare online training required e learning process* - Jun 29 2023

web pointclickcare online training required e learning process is available in our digital library an online access to it is set as public so you can download it instantly our books collection spans in multiple countries allowing you to get the most less latency time to download any of our books like this

pointclickcare online training required e learning process - Sep 01 2023

web pointclickcare online training required e learning process the ultimate elearning course design checklist elearning april 10th 2014 you can design them to be a part of the learning process 508 compliant training courses is your e learning course software requirements and ruth mullin clinical implementation specialist

pointclickcare online training required e learning process - Feb 11 2022

web sep 14 2023 pointclickcare online training required e learning process chapter 52 designing and implementing training programs gdpr staff awareness e learning course it governance you can design them to be a part of the learning process 508 compliant training courses is your e learning course software requirements and fm training fm

pointclickcare online training required e learning process pdf - Jul 31 2023

web pointclickcare online training required e learning process 3 3 talk and how making if then plans at practice buoyed michael phelps to a gold medal at the olympics wherever you are in your own ambitions from the middle muddle to the final

stretch the genius of athletes will put you right in the zone nursing health assessment john

pointclickcare online training required e learning process - May 17 2022

web pointclickcare online training required e learning process downloaded from protese odontocompany com by guest nathaniel vaughan nursing care plans crc press this edition contains 189 care plans covering the most common nursing diagnoses and clinical problems in medical surgical nursing it includes four new disorders care

careers and jobs pointclickcare careers - Jul 19 2022

web for more than 20 years pointclickcare has been the backbone of senior care we ve amassed the richest senior care dataset making our market density untouchable and our connections to the healthcare ecosystem exponentially more powerful than those of any other platform since acquiring collective medical audacious inquiry we ve become

pointclickcare online training required e learning process - Apr 27 2023

web sep 3 2023 pointclickcare online training required e learning process 5 steps to create and deploy a successful e learning course chapter 52 designing and implementing training programs pao otico intermediate business systems analyst christi lindensmith director pointclickcare linkedin how to do an e learning needs

jobs pointclickcare careers - Jun 17 2022

web mississauga ontario sales full time for more than 20 years pointclickcare has been the backbone of senior care we ve amassed the richest senior care dataset making our market density untouchable and our connections to the healthcare ecosystem exponentially more powerful than those of any other platform

[pointclickcare online training required e learning process pdf](#) - May 29 2023

web may 26 2023 pointclickcare online training required e learning process 2 10 downloaded from uniport edu ng on may 26 2023 by guest charting spiritual care simon peng keller 2020 08 10 this open access volume is the first academic book on the controversial issue of including spiritual care in integrated electronic medical records emr

pointclickcare online training required e learning process - Oct 22 2022

web pointclickcare online training required e learning process 1 pointclickcare online training required e learning process conditions of participation for hospitals

netflix s 3 body problem premiere date first look trailer - Aug 11 2023

web nov 10 2023 3 body problem the highly anticipated sci fi series from game of thrones executive producers david benioff and d b weiss and alexander woo the terror infamy true blood

game of thrones season 3 2013 the movie database tmdb - Oct 01 2022

web in season 3 family and loyalty are the overarching themes as many critical storylines from the first two seasons come to a brutal head meanwhile the lannisters maintain their hold on king s landing though stirrings in the north threaten to alter

the balance of power robb stark king of the north faces a major calamity as he tries to build

the throne 3 by cole hart goodreads - May 28 2022

web may 16 2013 read 16 reviews from the world s largest community for readers falisa walker the head of the throne has come out of her coma to the devastating news about

the throne film wikipedia - Jun 28 2022

web the throne korean [왕의 남자](#) rr sado is a 2015 south korean historical drama film directed by lee joon ik starring song kang ho and yoo ah in 2 3 4 5 set during the reign of king yeongjo the film is about the life of crown prince sado the heir to the throne who was deemed unfit to rule and at age 27 was condemned to death by his ow

[game of thrones season 3 trailer extended version youtube](#) - Apr 07 2023

web hbo s game of thrones season 3 is back march 31st we ve got tons of awesome video coming behind the scenes features interviews and episode analysis for n

game of thrones season 3 wikipedia - May 08 2023

web list of episodes the third season of the fantasy drama television series game of thrones premiered in the united states on hbo on march 31 2013 and concluded on june 9 2013 it was broadcast on sunday at 9 00 pm in the united states consisting of 10 episodes each running approximately 50 60 minutes 1

game of thrones rotten tomatoes - Feb 05 2023

web mar 31 2013 where to watch game of thrones season 3 buy buy subscription buy watch game of thrones season 3 with a subscription on max or buy it on vudu amazon prime video apple tv

[netflix s sci fi epic 3 body problem finally has a release date](#) - Mar 06 2023

web nov 10 2023 3 body problem is a lot of things all at once it s an ambitious adaptation of a modern classic sci fi novel it s the new series from game of thrones creators david benioff and d b weiss it

game of thrones season 3 official trailer 2 hd youtube - Dec 03 2022

web mar 17 2013 the second official trailer for hbo s game of thrones season 3 featuring all new footage getting you ready for what s coming in season 3 a storm of swords

game of thrones wikipedia - Jul 10 2023

web premise plot game of thrones is roughly based on the storylines of the a song of ice and fire book series by george r r martin set in the fictional seven kingdoms of westeros and the continent of essos 5 6 the series follows several simultaneous plot lines 7

game of thrones tv series 2011 2019 imdb - Oct 13 2023

web recently viewed game of thrones created by david benioff d b weiss with peter dinklage lena headey emilia clarke kit

harington nine noble families fight for control over the lands of westeros while an ancient enemy returns after being dormant for a

[game of thrones official website for the hbo series hbo com](#) - Sep 12 2023

web for the inhabitants of this world control of the iron throne holds the lure of great power but in a land where seasons can last a lifetime winter is coming and beyond the great wall that protects them a forgotten evil has returned hbo presents this epic series based on the book series a song of ice and fire by george r r martin

3 body problem trailer breakdown 9 reveals from game of thrones - Nov 02 2022

web nov 10 2023 the new teaser for netflix s 3 body problem offered some important story details for the upcoming series based on the novel the three body problem by liu cixin and produced by game of thrones creators d b weiss and david benioff the upcoming series could be a real treat for science fiction lovers the novel a part of the

watch game of thrones season 3 full episodes online plex - Jan 04 2023

web duplicity and treachery nobility and honor conquest and triumph and of course dragons in season 3 family and loyalty are the overarching themes as many critical storylines from the first two seasons come to a brutal head meanwhile the lannisters maintain their hold on king s landing though stirrings in the north threaten to alter the balance of power

[loki loki s ascension and the ambiguous ending of episode 6](#) - Jul 30 2022

web 22 hours ago loki finally has his throne it might just not be the throne he was expecting as the second season of marvel studios loki draws to a close the sacred timeline and all the other timelines are finally safe from destruction thanks to loki realizing that no matter what he and everyone else at the time variance authority do to try and

[how to save the iron throne prisoners in baldur s gate 3 bg3](#) - Feb 22 2022

web aug 25 2023 the iron throne is one of the most stressful and challenging sections of baldur s gate 3 precisely because it asks so much of your squad in so little time entering a rapidly imploding

[fantasy grounds pathfinder r for savage worlds curse of the](#) - Aug 31 2022

web nov 8 2023 pathfinder r for savage worlds curse of the crimson throne book 2 seven days to the grave death stalks the streets of korvosa what starts as an isolated outbreak swiftly turns into a full fledged epidemic and soon no one is safe the city s resources quickly overwhelmed and a desperate queen takes harsh measures to stem

[is there a sequel to watchers of the throne the emperor s reddit](#) - Mar 26 2022

web watchers of the throne is pretty close to the end of the current 40k timeline being set during the fall of cadia iirc there s currently no natural sequel to watchers of the throne but if your after some more terra stuff in the current time check out chris wraights the carrion throne deleted 5 yr ago cheers dude

[the throne asianwiki](#) - Apr 26 2022

web profile movie the throne english title revised romanization sado hangul 사도 director lee joon ik writer jo chul hyun oh seung hyun lee song won producer oh seung hyun sung chang yun cinematographer kim tae kyoung release date september 16 2015 runtime 125 min category period 18th century royal family best film movie

3 body problem new trailer game of thrones creators netflix - Jun 09 2023

web nov 10 2023 the fate of humanity is in the hands of scientists a detective and one young woman from 1960s china in netflix s adaptation of 3 body problem in the trailer fans are taken on a wild ride through time and space as one decision alters the course of human history leaving a small group the task continue reading 3 body problem new trailer