

2006 - MIATA - Workshop Manual - Engine

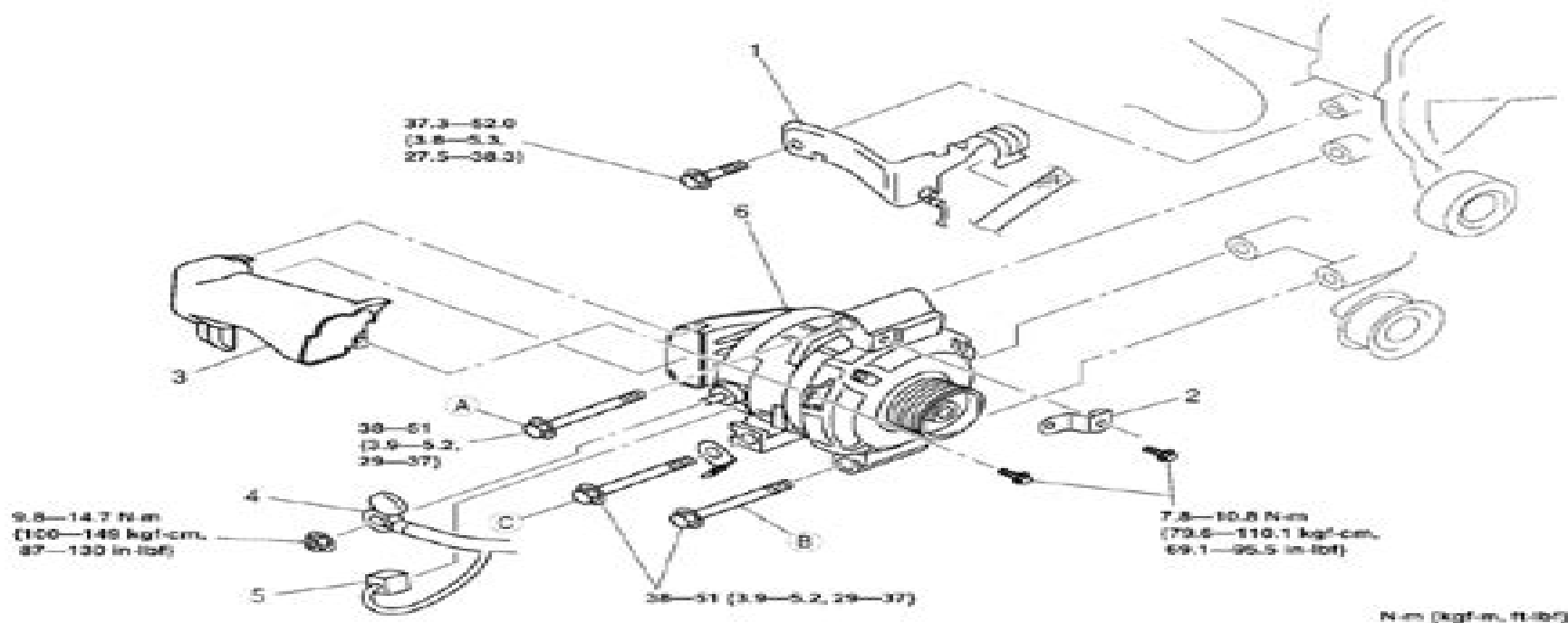
GENERATOR REMOVAL/INSTALLATION [LF]

WARNING:

- Remove and install all parts when the engine is cold, otherwise they can cause severe burns or serious injury.
- When the battery cables are connected, touching the vehicle body with generator terminal B will generate sparks. This can cause personal injury, fire, and damage to the electrical components. Always disconnect the battery negative cable before performing the following operation.

CAUTION:

- The generator can be damaged by the heat from the exhaust manifold. Make sure the generator duct is installed securely.
1. Remove the battery and battery tray. (See BATTERY REMOVAL/INSTALLATION [LF].)
 2. Remove the drive belt. (See DRIVE BELT REPLACEMENT [LF].)
 3. Remove in the order indicated in the table.
 4. Install in the reverse order of removal.



1 P/S pressure hose bracket

2 Generator bracket

3 Generator duct

4 B terminal cable

2006 Mazda Miata Manual

Jianjun Gao



2006 Mazda Miata Manual:

Mazda MX-5 Miata BRYANT, THOMAS L,2014-11-03 An illustrated history of the development and introduction of the Mazda s MX 5 Miata including the second and third generation cars up to the current day *Mazda MX-5 Miata 1.6 Enthusiast's Workshop Manual* Rod Grainger,2017 Superbly detailed text with over 1500 photographs covering every detail of important jobs without resorting to special tools **Mazda MX-5 Miata 1.8 Enthusiast's Workshop Manual** Rod Grainger,2017 This is a phenomenally detailed book which covers the car from bumper to bumper Every detail of important repair and maintenance jobs is covered Covers all Mk1 cars with pop up headlights 1 8 litre models 1994 98 the only aftermarket workshop manual available for the MX 5 written in an easy to use friendly style step by step procedures supported by hundreds of photos covers all aspects of maintenance and repair and applies equally to Eunos Roadster Japanese market model and Mazda Miata US market model *The Advocate* ,2005-11-08 The Advocate is a lesbian gay bisexual transgender LGBT monthly newsmagazine Established in 1967 it is the oldest continuing LGBT publication in the United States **Mazda MX-5 Miata** Thomas Bryant,2014-11-01 Celebrating a quarter century of the car that redefined its genre apply edits made above The Mazda MX 5 known as Miata in North America and Eunos Roadster in Japan revolutionized the lightweight two seater roadster market By taking the front engine rear wheel drive layout of traditional British and Italian roadsters and combining it with the modern function and reliability for which Japanese cars were justly famous Mazda created what many consider the perfect sports car The MX 5 became the best selling sports car of all time selling over a million units worldwide Customers proved that they hadn t lost their desire for simple lightweight two seat convertibles they had simply lost their desire for unreliable archaic European anachronisms that caught on fire as part of their charm In 2009 English automotive critic Jeremy Clarkson wrote The fact is that if you want a sports car the MX 5 is perfect Nothing on the road will give you better value Nothing will give you so much fun The only reason I m giving it five stars is because I can t give it 14 Mazda MX 5 Miata Twenty Five Years is a handsomely illustrated coffee table book celebrating Mazda s ground breakingMX 5 Miata the car that revolutionized the lightweight two seater roadster market Edmunds New Cars & Trucks Buyer's Guide 2006 Annual Editors at Edmunds.com,2005-12-27 For more than 39 years millions of consumers have turned to Edmunds buyer s guides for their shopping needs This format makes it easy for consumers to get the advice and information they need to purchase their next new vehicle Readers benefit from features such as Comprehensive vehicle reviews Easy to use charts rate competitive vehicles in popular market segments In depth advice on buying and leasing Editors and consumers ratings High quality photography Editors Most Wanted picks in 27 vehicle categories In addition to these features vehicle shoppers can benefit from the best that they ve come to expect from the Edmunds name Crash test ratings from the National Highway Traffic Safety Administration and the Insurance Institute for Highway Safety Warranty information Information on most fuel efficient models and how to improve your fuel economy

Detailed explanation of how hybrid vehicles work Previews of future vehicles not yet for sale **Lemon-Aid Used Cars and Trucks 2010-2011** Phil Edmonston,2010-05-11 The automotive maven and former Member of Parliament might be the most trusted man in Canada an inverse relationship to the people he writes about The Globe and Mail Lemon Aid shows car and truck buyers how to pick the cheapest and most reliable vehicles from the past 30 years of auto production This brand new edition of the bestselling guide contains updated information on secret service bulletins that can save you money Phil describes sales and service scams lists which vehicles are factory goofs and sets out the prices you should pay As Canada s automotive Dr Phil for over 40 years Edmonston pulls no punches His Lemon Aid is more potent and provocative than ever

How to Build a High-Performance Mazda Miata MX-5, 2nd Edition Keith Tanner,2025-06-03 Build the Miata of your dreams with this all encompassing photo illustrated modification guide Across four generations and for more than three decades Mazda s Miata MX 5 has proven itself one of the most popular and versatile sports cars ever created Its ability to fulfill any goal from street cruising to on track competition has spawned an extensive performance aftermarket making it possible for owners to build their dream Miata In fact the selection of parts is so broad that it can be difficult for many would be builders to select and tune the proper combination to achieve their MX 5 goals Enter author MX 5 expert and Flyin Miata co owner Keith Tanner and How to Build a High Performance Mazda Miata MX 5 This thorough manual revised and updated throughout to cover the fourth generation Miata will guide you through how to best modify your car to suit your goals Key chapters in the book cover Engine management systems intake exhaust and forced induction Clutch and transmission Suspension and handling Braking wheels and tires Body and chassis Engine swaps Beginning with a modification philosophy Tanner then discusses which upgrades will help you reach your goals and how to tune your MX 5 to maximize its potential From cross country touring to autocross to track racing the Miata can do it all and How to Build a High Performance Mazda Miata MX 5 ensures you know how to make it happen *New Cars & Trucks Buyer's Guide* ,2006 **Mazda MX-5 Miata**

Brian Long,2014 The definitive international history of the most successful sports car the world has ever known Covers every model of Miata MX 5 and Eunos Roadster including all special editions from 1989 up to the third generation NC model Includes a Foreword by Takao Kijima the Miata s Chief Engineer [Lemon-Aid Used Cars and Trucks 2009-2010](#) Phil Edmonston,2009-02-16 For the first time in one volume Phil Edmonston Canada s automotive Dr Phil covers all used vehicles packing this guide with insider tips to help the consumer make the safest and cheapest choice possible from cars and trucks of the past 25 years *Lemon-Aid Used Cars and Trucks 2011-2012* Phil Edmonston,2011-04-25 A guide to buying a used car or minivan features information on the strengths and weaknesses of each model a safety summary recalls warranties and service tips **Car and Driver** ,2007 [The Advocate](#) ,2005-11-08 The Advocate is a lesbian gay bisexual transgender LGBT monthly newsmagazine Established in 1967 it is the oldest continuing LGBT publication in the United States

Lemon-Aid Used Cars and Trucks 2012-2013 Phil Edmonston,2012-05-19 A guide to buying a used car or minivan

features information on the strengths and weaknesses of each model a safety summary recalls warranties and service tips

Miata 20 Years , When Mazda introduced the Miata in 1989 driving enthusiasts leapt with joy The new two seater roadster convertible offered motorists the look and feel of a classic sports car Now in its third generation the Miata is considered the most successful modern sports car popular with pleasure drivers and racers alike This photo and anecdote filled book spans the Miata s twenty year history offering an informative and exhilarating tribute to the little car that reminds us how much fun it is to drive The Book of the Lamborghini Murciélago Thillainathan Path Pathmanathan,Thillainathan ""Path"". Pathmanathan,2021 A unique book dedicated to the Murcielago Lamborghini s iconic flagship with its V12 Bizzarrini engine spaceframe chassis and scissor doors This was the last car to use the classic Bizzarrini engine *Road and Track* ,2006 *Kiplinger's Personal Finance* ,2005-10 The most trustworthy source of information available today on savings and investments taxes money management home ownership and many other personal finance topics **Lemon-Aid New and Used Cars and Trucks 1990-2016** Phil Edmonston,2015-11-21 This book steers buyers through the the confusion and anxiety of new and used vehicle purchases unlike any other car and truck book on the market Dr Phil Canada s best known automotive expert for more than forty five years pulls no punches

Decoding **2006 Mazda Miata Manual**: Revealing the Captivating Potential of Verbal Expression

In an era characterized by interconnectedness and an insatiable thirst for knowledge, the captivating potential of verbal expression has emerged as a formidable force. Its ability to evoke sentiments, stimulate introspection, and incite profound transformations is genuinely awe-inspiring. Within the pages of "**2006 Mazda Miata Manual**," a mesmerizing literary creation penned by a celebrated wordsmith, readers embark on an enlightening odyssey, unraveling the intricate significance of language and its enduring effect on our lives. In this appraisal, we shall explore the book's central themes, evaluate its distinctive writing style, and gauge its pervasive influence on the hearts and minds of its readership.

https://recruitmentslovakia.com/About/virtual-library/index.jsp/2014_exemplar_life_science_paper1_mpumalanga.pdf

Table of Contents 2006 Mazda Miata Manual

1. Understanding the eBook 2006 Mazda Miata Manual
 - The Rise of Digital Reading 2006 Mazda Miata Manual
 - Advantages of eBooks Over Traditional Books
2. Identifying 2006 Mazda Miata Manual
 - Exploring Different Genres
 - Considering Fiction vs. Non-Fiction
 - Determining Your Reading Goals
3. Choosing the Right eBook Platform
 - Popular eBook Platforms
 - Features to Look for in an eBook 2006 Mazda Miata Manual
 - User-Friendly Interface
4. Exploring eBook Recommendations from 2006 Mazda Miata Manual
 - Personalized Recommendations
 - 2006 Mazda Miata Manual User Reviews and Ratings
 - 2006 Mazda Miata Manual and Bestseller Lists

5. Accessing 2006 Mazda Miata Manual Free and Paid eBooks
 - 2006 Mazda Miata Manual Public Domain eBooks
 - 2006 Mazda Miata Manual eBook Subscription Services
 - 2006 Mazda Miata Manual Budget-Friendly Options
6. Navigating 2006 Mazda Miata Manual eBook Formats
 - ePub, PDF, MOBI, and More
 - 2006 Mazda Miata Manual Compatibility with Devices
 - 2006 Mazda Miata Manual Enhanced eBook Features
7. Enhancing Your Reading Experience
 - Adjustable Fonts and Text Sizes of 2006 Mazda Miata Manual
 - Highlighting and Note-Taking 2006 Mazda Miata Manual
 - Interactive Elements 2006 Mazda Miata Manual
8. Staying Engaged with 2006 Mazda Miata Manual
 - Joining Online Reading Communities
 - Participating in Virtual Book Clubs
 - Following Authors and Publishers 2006 Mazda Miata Manual
9. Balancing eBooks and Physical Books 2006 Mazda Miata Manual
 - Benefits of a Digital Library
 - Creating a Diverse Reading Collection 2006 Mazda Miata Manual
10. Overcoming Reading Challenges
 - Dealing with Digital Eye Strain
 - Minimizing Distractions
 - Managing Screen Time
11. Cultivating a Reading Routine 2006 Mazda Miata Manual
 - Setting Reading Goals 2006 Mazda Miata Manual
 - Carving Out Dedicated Reading Time
12. Sourcing Reliable Information of 2006 Mazda Miata Manual
 - Fact-Checking eBook Content of 2006 Mazda Miata Manual
 - Distinguishing Credible Sources
13. Promoting Lifelong Learning

- Utilizing eBooks for Skill Development
 - Exploring Educational eBooks
14. Embracing eBook Trends
- Integration of Multimedia Elements
 - Interactive and Gamified eBooks

2006 Mazda Miata Manual Introduction

In the digital age, access to information has become easier than ever before. The ability to download 2006 Mazda Miata Manual has revolutionized the way we consume written content. Whether you are a student looking for course material, an avid reader searching for your next favorite book, or a professional seeking research papers, the option to download 2006 Mazda Miata Manual has opened up a world of possibilities. Downloading 2006 Mazda Miata Manual provides numerous advantages over physical copies of books and documents. Firstly, it is incredibly convenient. Gone are the days of carrying around heavy textbooks or bulky folders filled with papers. With the click of a button, you can gain immediate access to valuable resources on any device. This convenience allows for efficient studying, researching, and reading on the go. Moreover, the cost-effective nature of downloading 2006 Mazda Miata Manual has democratized knowledge. Traditional books and academic journals can be expensive, making it difficult for individuals with limited financial resources to access information. By offering free PDF downloads, publishers and authors are enabling a wider audience to benefit from their work. This inclusivity promotes equal opportunities for learning and personal growth. There are numerous websites and platforms where individuals can download 2006 Mazda Miata Manual. These websites range from academic databases offering research papers and journals to online libraries with an expansive collection of books from various genres. Many authors and publishers also upload their work to specific websites, granting readers access to their content without any charge. These platforms not only provide access to existing literature but also serve as an excellent platform for undiscovered authors to share their work with the world. However, it is essential to be cautious while downloading 2006 Mazda Miata Manual. Some websites may offer pirated or illegally obtained copies of copyrighted material. Engaging in such activities not only violates copyright laws but also undermines the efforts of authors, publishers, and researchers. To ensure ethical downloading, it is advisable to utilize reputable websites that prioritize the legal distribution of content. When downloading 2006 Mazda Miata Manual, users should also consider the potential security risks associated with online platforms. Malicious actors may exploit vulnerabilities in unprotected websites to distribute malware or steal personal information. To protect themselves, individuals should ensure their devices have reliable antivirus software installed and validate the legitimacy of the websites they are downloading from. In conclusion, the ability to download 2006 Mazda Miata

Manual has transformed the way we access information. With the convenience, cost-effectiveness, and accessibility it offers, free PDF downloads have become a popular choice for students, researchers, and book lovers worldwide. However, it is crucial to engage in ethical downloading practices and prioritize personal security when utilizing online platforms. By doing so, individuals can make the most of the vast array of free PDF resources available and embark on a journey of continuous learning and intellectual growth.

FAQs About 2006 Mazda Miata Manual Books

How do I know which eBook platform is the best for me? Finding the best eBook platform depends on your reading preferences and device compatibility. Research different platforms, read user reviews, and explore their features before making a choice. Are free eBooks of good quality? Yes, many reputable platforms offer high-quality free eBooks, including classics and public domain works. However, make sure to verify the source to ensure the eBook credibility. Can I read eBooks without an eReader? Absolutely! Most eBook platforms offer webbased readers or mobile apps that allow you to read eBooks on your computer, tablet, or smartphone. How do I avoid digital eye strain while reading eBooks? To prevent digital eye strain, take regular breaks, adjust the font size and background color, and ensure proper lighting while reading eBooks. What the advantage of interactive eBooks? Interactive eBooks incorporate multimedia elements, quizzes, and activities, enhancing the reader engagement and providing a more immersive learning experience. 2006 Mazda Miata Manual is one of the best book in our library for free trial. We provide copy of 2006 Mazda Miata Manual in digital format, so the resources that you find are reliable. There are also many Ebooks of related with 2006 Mazda Miata Manual. Where to download 2006 Mazda Miata Manual online for free? Are you looking for 2006 Mazda Miata Manual PDF? This is definitely going to save you time and cash in something you should think about. If you trying to find then search around for online. Without a doubt there are numerous these available and many of them have the freedom. However without doubt you receive whatever you purchase. An alternate way to get ideas is always to check another 2006 Mazda Miata Manual. This method for see exactly what may be included and adopt these ideas to your book. This site will almost certainly help you save time and effort, money and stress. If you are looking for free books then you really should consider finding to assist you try this. Several of 2006 Mazda Miata Manual are for sale to free while some are payable. If you arent sure if the books you would like to download works with for usage along with your computer, it is possible to download free trials. The free guides make it easy for someone to free access online library for download books to your device. You can get free download on free trial for lots of books categories. Our library is the biggest of these that have literally hundreds of thousands of different products categories represented. You will also see that there are specific sites catered to different product types or categories, brands or niches

related with 2006 Mazda Miata Manual. So depending on what exactly you are searching, you will be able to choose e books to suit your own need. Need to access completely for Campbell Biology Seventh Edition book? Access Ebook without any digging. And by having access to our ebook online or by storing it on your computer, you have convenient answers with 2006 Mazda Miata Manual To get started finding 2006 Mazda Miata Manual, you are right to find our website which has a comprehensive collection of books online. Our library is the biggest of these that have literally hundreds of thousands of different products represented. You will also see that there are specific sites catered to different categories or niches related with 2006 Mazda Miata Manual So depending on what exactly you are searching, you will be able to choose ebook to suit your own need. Thank you for reading 2006 Mazda Miata Manual. Maybe you have knowledge that, people have search numerous times for their favorite readings like this 2006 Mazda Miata Manual, but end up in harmful downloads. Rather than reading a good book with a cup of coffee in the afternoon, instead they juggled with some harmful bugs inside their laptop. 2006 Mazda Miata Manual is available in our book collection an online access to it is set as public so you can download it instantly. Our digital library spans in multiple locations, allowing you to get the most less latency time to download any of our books like this one. Merely said, 2006 Mazda Miata Manual is universally compatible with any devices to read.

Find 2006 Mazda Miata Manual :

2014 exemplar life science paper1 mpumalanga

~~naughty doctor game guide~~

2014 registration closing date

~~the marriage of opposites english edition~~

6 hp chrysler outboard manual

2004 bmw x3 service schedule

natwest credit card lounge access

~~boeing 777 maintenance manual waste line cleaning~~

electronic filter analysis and synthesis

~~be my human moonlit skies book 2~~

1994 audi 100 thrust bearing manua

how to become a skilled intercessor

2014 real quickbooks test answers

2014 exemplar life orientation

methematics n4 april 2014 memo

2006 Mazda Miata Manual :

[football cv examples writing tips 2023 free guide](#) - Feb 09 2023

web key takeaways for a football cv as a football player your cv example is a different ballgame to most other professionals adjust it accordingly kick off with a top cv summary find some slick examples that epitomise your professional value don't forget to highlight your top soft skills too

football cv how to create a professional one with examples - Dec 07 2022

web what is a cv how do you write a professional football cv when why you need a football cv 1 basic personal and player information 2 football specific profile picture 3 playing experience team achievements 4 personal achievements 5 strengths and weaknesses of your game 6 education and or

futbolcu cv Örnekleri cv lazım - Mar 10 2023

web futbolcu cv Örnekleri futbol spor dalında bulunan ve bu alanda çalışan kişilere futbolcu denilmektedir Özellikle günümüzde birçok ülkeden pek çok insan futbolcu olmak istemekte ve bu bölümden mezun olanlar da iyi takımlara transfer olmayı dilemektedirler futbolcu cv si hazırlanırken özellikle daha önce hangi kulüplerde

[football cv example template free download](#) - Jun 13 2023

web oct 6 2022 football cv example 6 october 2022 by aaron case cprw reviewed by the cv genius cprw team having trouble getting your football cv noticed by your target clubs our football cv example template and writing tips below will guide you to make a standout job application build my cv now

[best football player cv sample in 2023 cv owl](#) - Oct 05 2022

web football player cv sample learn more about football player cv example cv writing tips cv formats and much more start editing this football player cv sample with our online cv builder ats friendly cv 1 and 2 page cv version 100 editable add or remove sections change colors download in a4 us letter start editing now or sign

football cv how to write a football cv 2020 template download - Nov 06 2022

web a football cv curriculum vitae or résumé is a written outline of your football ability playing history and personal profile however players often overlook this important document choosing to concentrate on their on field training hoping a scout will spot them among the millions of hopefuls worldwide

[football cv template examples writing guide zety](#) - Jul 14 2023

web aug 14 2023 how to write a football cv that will land you more interviews or have scouts showing up to your next game tips and examples of how to put skills and achievements on a football cv how to describe your experience on a cv for football players or coaches to get into any club you want

download football player cv for free formtemplate - Feb 26 2022

web we provide professional and detailed football cv template for you anyone who is in need of the football cv template can download it from our website for free page 1 4 5 based on 281 votes football player cv name bruno cazarine constantino birth date 06 05 83 25 years old height 1 88 m

football player cv bunny net - Dec 27 2021

web football player cv name bruno cazarine constantino birth date 06 05 83 25 years old height 1 88 m weight 82 kg position striker skills good technique skilled good header really good physical strength previous clubs

football player cv edit fill sign online handypdf - Mar 30 2022

web edit fill sign download football player cv online on handypdf com printable and fillable football player cv

download football cv template for free formtemplate - Apr 30 2022

web a football player cv is the resume customized specially for football players an excellent football cv will draw the attention of the football coach and sports manager as we all know a football cv template is used specially for football players since the competition is more and more fierce

football player cv download cv template for free pdf or word - May 12 2023

web download football player cv our cv template forms usually come in several formats first download the football player cv file in the format you are interested in its size is only 44 22 kb the easiest way to edit these is in doc docx or xls format

football cv template examples and writing guide 2023 - Apr 11 2023

web aug 16 2023 a football cv also known as a football resume or soccer cv is a document that outlines your playing history and achievements skills and fitness levels and general player profile coaches and clubs will need to see your football cv before talking further and scouts won t know to see you without one

football player resume samples qwikresume - Jun 01 2022

web 5 7 years level executive education bs in science football player resume objective an energetic out going competitive person who enjoys new challenges a hard working and honest vibrant individual is interested in a position in the industry that gives him the ability to grow and succeed

how to write a killer football cv play away global - Jan 28 2022

web 1 personal bio as the title suggests in this section you need to include all of your personal information coaches wont recruit just anyone they will want to know how old you are what position s you re comfortable playing in don t list too many here really think about where you re at your strongest

download football player cv for free tidyform - Jul 02 2022

web download a free football player cv to make your document professional and perfect find other professionally designed

templates in tidyform

footballer cv example cv writing guide get noticed by agents - Aug 15 2023

web footballer cv example if you re seeking a career as a footballer a strong cv is fundamental to stand out from the crowd enabling you to get noticed and get signed by a top club a good cv will create a pleasant reading experience for agents and allow managers to quickly see that you have the talents they are looking for

football cv template cv template master - Sep 04 2022

web apr 29 2021 text preview of this cv template this is a text only preview download the formatted word file using the link above jasper macintyre professional footballer gamekeeper s cottage newstead abbey ravenshead nottingham ng15 9ff phone 07984 111222 email jasper mac gmail com

professional football player resume example livecareer - Aug 03 2022

web search hundreds of thousands of real resumes samples from livecareer s resume example directory the largest publicly searchable database of graded resumes livecareer resume builders

how to create an effective soccer player cv ifx soccer news - Jan 08 2023

web jan 14 2021 a football soccer cv curriculum vitae or resume is a written outline of your soccer abilities playing history and contact details a professional soccer cv is something all players should have to enhance your chances of being recruited for soccer

chris tomlin i stand in awe lyrics genius lyrics - May 30 2023

web oct 26 2018 verse 1 nicole serrano when i consider what you have made the mighty oceans the fiery stars the fields and forests give you praise my lord my god chorus nicole serrano i stand in awe i

chris tomlin i stand in awe lyric video ft nicole serrano - Aug 01 2023

web sep 9 2023 chris tomlin i stand in awe lyric video ft nicole serrano official lyric video for i stand in awe by chris tomlin listen to more from chris tomlin here christomlin lnk to

i stand in awe hymn lyrics and piano music - Jun 30 2023

web you are beautiful beyond description lamb of god who died for me chorus and i stand i stand in awe of you i stand i stand in awe of you holy god to whom all praise is due i stand in awe of you and i stand i stand in awe of you i stand i stand in awe of you

i stand in awe feat glenn packiam official lyric video - Apr 28 2023

web apr 16 2014 victor thompson music 227k views 10 months ago info and resources for this song sovereigngracemusic org music songs i stand in awe official spanish translation

i stand in awe sovereign grace music - Oct 03 2023

web chorus and i stand i stand in awe of you i stand i stand in awe of you holy god to whom all praise is due i stand in awe of you verse 2 you are beautiful beyond description yet god crushed you for my sin in agony and deep affliction

stand in awe hillsong worship youtube - Mar 28 2023

web aug 3 2017 stand in awe from the hillsong worship album cornerstone released in july 2012 subscribe to our youtube channel smarturl it hillsongworshipstr

i stand in awe feat glenn packiam genius - Jan 26 2023

web apr 8 2014 verse 1 you are beautiful beyond description too marvelous for words too wonderful for comprehension like nothing ever seen or heard who can grasp your infinite wisdom who can fathom the depth

chris tomlin i stand in awe audio ft nicole serrano - Sep 02 2023

web oct 25 2018 chris tomlin i stand in awe audio ft nicole serrano 495k views 4 years ago chris tomlin official audio only for i stand in awe feat nicole serrano subscribe to chris tomlin s

stand in awe bethel music - Feb 24 2023

web stand in awe bethel music paul mcclure hannah mcclure in the ordinary spontaneous copyright 2023 bethel music in worship we express who god is and who we are in him we capture fresh expressions of worship in every season so that all the earth might encounter him

37 traditional nigerian food for you to try izzycooking - Apr 17 2022

cook the nigerian way a collection of recipes for - Aug 02 2023

web apr 12 2018 this is a collection of recipes from igbo yoruba hausa idoma and urhobo tribes from nigeria the recipes are detailed with specific ingredients and

cook the nigerian way a collection of recipes for hausa - Dec 26 2022

web 20 delicious nigerian food recipes in this post we will be taking a look at 20 delicious nigerian foods recipes you honestly need to try out if you have never ed eaten a

[12 nigerian dishes everyone should know how to cook](#) - Mar 29 2023

web jun 24 2019 10 essential nigerian recipes we don t say a dish is spicy we say it has pepper the recipe writer yewande komolafe who grew up in lagos and found herself

cook the nigerian way a collection of recipes for hausa - Jul 21 2022

web jul 23 2023 abacha and ugba abacha and ugba is a dish that can also be referred to as the african salad it is a popular dish in nigeria and it is especially traditional amongst

nigerian recipes fitnigerian - Jun 19 2022

web cook the nigerian way a collection of recipes for pdf introduction cook the nigerian way a collection of recipes for pdf
free ibos of nigeria and their

[cook the nigerian way a collection of recipes for hausa igbo](#) - Jan 27 2023

web learn more learn about nigerian recipes ingredients and how to cook different nigerian food recipes igbo yoruba hausa
calabar akwa ibom foods more

[cook the nigerian way overdrive](#) - Sep 22 2022

web mar 7 2023 with this assortment of simple recipes you ll immerse your self within the fantastic culinary world of nigeria
give your style buds a break out of your typical

cook the nigerian way a collection of recipes for hausa igbo - Sep 03 2023

web apr 12 2018 this is a collection of recipes from igbo yoruba hausa idoma and urhobo tribes from nigeria the recipes are
detailes with specific ingredients and guides on how

12 easy nigerian recipes to spice up your dinners - Mar 17 2022

nigerian food recipes all nigerian recipes - Feb 25 2023

web buy cook the nigerian way a collection of recipes for hausa igbo yoruba meals in nigeria by judith sam online at alibris
we have new and used copies available in 1

cook the nigerian way a collection of recipes for haus - May 31 2023

web cook the nigerian way a collection of recipes for hausa igbo yoruba meals in nigeria sam judith amazon com au books

60 nigerian recipes you need to try chef - Oct 04 2023

web cook the nigerian way a collection of recipes for hausa igbo yoruba meals in nigeria sam judith amazon sg books

nigerian food 101 recipes to get you started - Nov 24 2022

web sep 26 2023 nigerian food is aromatic colorful and full of flavor besides jollof rice there are many delicious staples from
hearty and rich stews and soups to savory

16 classic nigerian recipes for beginners tasty - Apr 29 2023

web apr 23 2018 this is a collection of recipes from igbo yoruba hausa idoma and urhobo tribes from nigeria the recipes are
detailes with specific ingredients and guides on how

top nigerian food the 21 best dishes the kitchen community - Dec 14 2021

yewande komolafe s 10 essential nigerian recipes - Aug 22 2022

web apr 3 2020 nigerian jollof rice recipe here 2 soup and swallow nigerian swallows include eba fufu semo pounded yam

tuwo shinkafa and quite a few others in nigeria

cook the nigerian way a collection of recipes for pdf free - Nov 12 2021

23 nigerian foods easy recipes insanely good - Jul 01 2023

web *cook the nigerian way a collection of recipes for hausa igbo yoruba meals in nigeria* by sam judith isbn 10 1987774906
isbn 13 9781987774900

20 delicious nigerian food recipes recipe gym - May 19 2022

23 nigerian foods easy recipes insanely good food 24h - Feb 13 2022

21 nigerian food and how to make them using my recipes - Jan 15 2022

cook the nigerian way a collection of recipes for hausa igbo - Oct 24 2022

web mar 20 2023 check out our video 1 nigerian egusi soup by demand africa egusi is a nigerian recipes name for the seeds of plants like squash melons and gourds that