

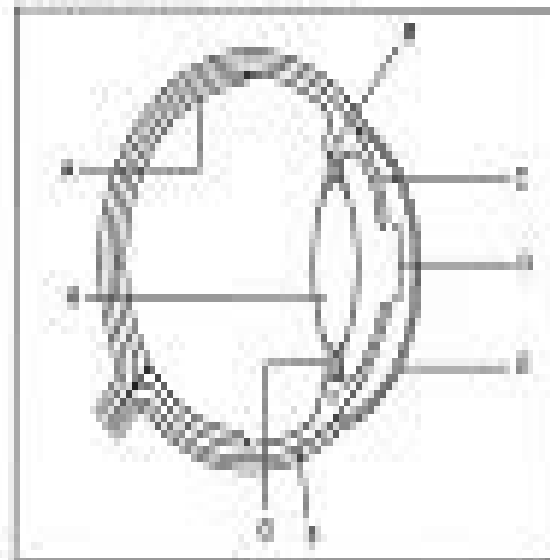
LIFE SCIENCES P.1

FINAL EXAM

MEMO

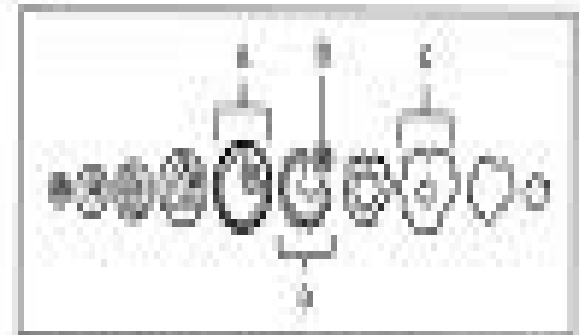
2025

1.1 The diagram below represents the human eye.



1.1.1 (continued)

The diagram below represents a part of the menstrual cycle that occurs in the female ovary.



1.1.1 Name the part of the menstrual cycle represented by the diagram.

1.1.2 Identify structure

III. 2.



basic education

Department
Basic Education
REPUBLIC OF SOUTH AFRICA

Life Science Paper 1 Prelim Memorandum

R Barnett



Life Science Paper 1 Prelim Memorandum:

Monthly Catalog of United States Government Publications, 2004-12 **Museum Studies** Bettina Messias Carbonell, 2012-04-23 Updated to reflect the latest developments in twenty first century museum scholarship the new Second Edition of *Museum Studies An Anthology of Contexts* presents a comprehensive collection of approaches to museums and their relation to history culture and philosophy Unique in its deep range of historical sources and by its inclusion of primary texts by museum makers Places current praxis and theory in its broader and deeper historical context with the collection of primary and secondary sources spanning more than 200 years Features the latest developments in museum scholarship concerning issues of inclusion and exclusion repatriation indigenous models of collection and display museums in an age of globalization visitor studies and interactive technologies Includes a new section on relationships interactions and responsibilities Offers an updated bibliography and list of resources devoted to museum studies that makes the volume an authoritative guide on the subject New entries by Victoria E M Cain Neil G W Curtis Catherine Ingraham Gwyneira Isaac Robert R Janes Sean Kingston Barbara Kirshenblatt Gimblett Sharon J Macdonald Saloni Mathur Gerald McMaster Sidney Moko Mead Donald Preziosi Karen A Rader Richard Sandell Roger I Simon Crain Soudien Paul Tapsell Stephen E Weil Paul Williams and Andrea Witcomb **NOAA Technical Memorandum NOS.**, 1977 Merced Wild and Scenic River United States. National Park Service, 2013 *How We Teach Science* John L. Rudolph, 2019-06-01 A former Wisconsin high school science teacher makes the case that how and why we teach science matters especially now that its legitimacy is under attack Why teach science The answer to that question will determine how it is taught Yet despite the enduring belief in this country that science should be taught there has been no enduring consensus about how or why This is especially true when it comes to teaching scientific process Nearly all of the basic knowledge we have about the world is rock solid The science we teach in high schools in particular laws of motion the structure of the atom cell division DNA replication the universal speed limit of light is accepted as the way nature works Everyone also agrees that students and the public more generally should understand the methods used to gain this knowledge But what exactly is the scientific method Ever since the late 1800s scientists and science educators have grappled with that question Through the years they ve advanced an assortment of strategies ranging from the laboratory method to the five step method to science as inquiry to no method at all *How We Teach Science* reveals that each strategy was influenced by the intellectual cultural and political circumstances of the time In some eras learning about experimentation and scientific inquiry was seen to contribute to an individual s intellectual and moral improvement while in others it was viewed as a way to minimize public interference in institutional science John Rudolph shows that how we think about and teach science will either sustain or thwart future innovation and ultimately determine how science is perceived and received by the public **Lynton Keith Caldwell** Wendy Read Wertz, 2014-04-08 A solid overview of both Caldwell s contributions and the development of the environmental movement in the US

Recommended Choice This is the story of a visionary leader Lynton Keith Caldwell who in the early 1960s introduced the study of the environment and environmental policy at a time when such areas of expertise did not exist Caldwell was a principal architect of the National Environmental Policy Act of 1969 and is recognized as the inventor of the Act's important environmental impact statement provisions now emulated around the world For the next three decades Caldwell played a leading role in establishing ethics based environmental policy and administration as major areas of inquiry in the United States and around the world Through his tireless global travels writing and lectures and his work with the US Senate the IUCN UN and UNESCO Caldwell became recognized for his contributions to environmental ethics and the development of strong environmental planning and policy This engrossing biography is based on interviews the author conducted with Caldwell and on unrestricted access to his memorabilia photos and records Deeply insightful The field of environmental policy is richer for this addition H Net Reviews

NASA SP-7500 United States. National Aeronautics and Space Administration,1975

The Politics of Precaution Robert L. Paarlberg,2001-09-17 Genetically modified GM food crops have inspired increasing controversy over the past decade By the mid 1990s they were widely grown in the U S Canada and Argentina but precautionary regulations continue to limit their use elsewhere The restrictive policies of Europe and Japan toward GM crops have been much discussed Less attention has been paid to the policies affecting the adoption of GM crops in the developing world where their potential impact on the availability and quality of food is even greater In this book Robert Paarlberg looks at the policy choices regarding GM food made by four important developing countries Kenya Brazil India and China Of these so far only China has approved the planting of GM crops Paarlberg identifies five policy areas in which governments of developing countries can either support or discourage GM crops intellectual property rights biosafety trade food safety and public research and investment He notes that highly cautious biosafety policies have so far been the key reason that Kenya Brazil and India have hesitated to plant GM crops These cautious policies have been strongly reinforced by international market forces and international diplomatic and NGO pressures China has been less cautious toward GM crops in part because there is less opportunity in China for international organizations or independent critics of GM crops to challenge official policy

Space Stations and the Law ,1986

Space stations and the law : selected legal issues. ,1986

Management ,1975

Framing the Constitution of Japan ,1989

Scientific and Technical Aerospace Reports ,1995 Lists citations with abstracts for aerospace related reports obtained from world wide sources and announces documents that have recently been entered into the NASA Scientific and Technical Information Database

Resources in Education ,1991

Paper ,1990

National Library of Medicine Current Catalog National Library of Medicine (U.S.),1971 First multi year cumulation covers six years 1965 70

This New Ocean Loyd S. Swenson,James M. Grimwood,Charles C. Alexander,1966

Technical Paper ,1974

Dictionary Catalog of Official Publications of the State of New York ,1987

Technical Paper (United States. Bureau of the Census). ,1974

Enjoying the Beat of Appearance: An Emotional Symphony within **Life Science Paper 1 Prelim Memorandum**

In some sort of consumed by monitors and the ceaseless chatter of fast conversation, the melodic splendor and emotional symphony produced by the written word usually diminish into the backdrop, eclipsed by the persistent sound and distractions that permeate our lives. However, located within the pages of **Life Science Paper 1 Prelim Memorandum** a wonderful literary value brimming with natural feelings, lies an immersive symphony waiting to be embraced. Constructed by an elegant composer of language, that charming masterpiece conducts readers on a psychological journey, skillfully unraveling the hidden tunes and profound impact resonating within each carefully crafted phrase. Within the depths of this touching evaluation, we will examine the book is key harmonies, analyze its enthralling writing fashion, and submit ourselves to the profound resonance that echoes in the depths of readers souls.

https://recruitmentslovakia.com/results/detail/Documents/Manual_All_Wheel_Drive_Cars.pdf

Table of Contents Life Science Paper 1 Prelim Memorandum

1. Understanding the eBook Life Science Paper 1 Prelim Memorandum
 - The Rise of Digital Reading Life Science Paper 1 Prelim Memorandum
 - Advantages of eBooks Over Traditional Books
2. Identifying Life Science Paper 1 Prelim Memorandum
 - Exploring Different Genres
 - Considering Fiction vs. Non-Fiction
 - Determining Your Reading Goals
3. Choosing the Right eBook Platform
 - Popular eBook Platforms
 - Features to Look for in an Life Science Paper 1 Prelim Memorandum
 - User-Friendly Interface
4. Exploring eBook Recommendations from Life Science Paper 1 Prelim Memorandum
 - Personalized Recommendations

- Life Science Paper 1 Prelim Memorandum User Reviews and Ratings
- Life Science Paper 1 Prelim Memorandum and Bestseller Lists
- 5. Accessing Life Science Paper 1 Prelim Memorandum Free and Paid eBooks
 - Life Science Paper 1 Prelim Memorandum Public Domain eBooks
 - Life Science Paper 1 Prelim Memorandum eBook Subscription Services
 - Life Science Paper 1 Prelim Memorandum Budget-Friendly Options
- 6. Navigating Life Science Paper 1 Prelim Memorandum eBook Formats
 - ePub, PDF, MOBI, and More
 - Life Science Paper 1 Prelim Memorandum Compatibility with Devices
 - Life Science Paper 1 Prelim Memorandum Enhanced eBook Features
- 7. Enhancing Your Reading Experience
 - Adjustable Fonts and Text Sizes of Life Science Paper 1 Prelim Memorandum
 - Highlighting and Note-Taking Life Science Paper 1 Prelim Memorandum
 - Interactive Elements Life Science Paper 1 Prelim Memorandum
- 8. Staying Engaged with Life Science Paper 1 Prelim Memorandum
 - Joining Online Reading Communities
 - Participating in Virtual Book Clubs
 - Following Authors and Publishers Life Science Paper 1 Prelim Memorandum
- 9. Balancing eBooks and Physical Books Life Science Paper 1 Prelim Memorandum
 - Benefits of a Digital Library
 - Creating a Diverse Reading Collection Life Science Paper 1 Prelim Memorandum
- 10. Overcoming Reading Challenges
 - Dealing with Digital Eye Strain
 - Minimizing Distractions
 - Managing Screen Time
- 11. Cultivating a Reading Routine Life Science Paper 1 Prelim Memorandum
 - Setting Reading Goals Life Science Paper 1 Prelim Memorandum
 - Carving Out Dedicated Reading Time
- 12. Sourcing Reliable Information of Life Science Paper 1 Prelim Memorandum
 - Fact-Checking eBook Content of Life Science Paper 1 Prelim Memorandum

- Distinguishing Credible Sources
- 13. Promoting Lifelong Learning
 - Utilizing eBooks for Skill Development
 - Exploring Educational eBooks
- 14. Embracing eBook Trends
 - Integration of Multimedia Elements
 - Interactive and Gamified eBooks

Life Science Paper 1 Prelim Memorandum Introduction

In the digital age, access to information has become easier than ever before. The ability to download Life Science Paper 1 Prelim Memorandum has revolutionized the way we consume written content. Whether you are a student looking for course material, an avid reader searching for your next favorite book, or a professional seeking research papers, the option to download Life Science Paper 1 Prelim Memorandum has opened up a world of possibilities. Downloading Life Science Paper 1 Prelim Memorandum provides numerous advantages over physical copies of books and documents. Firstly, it is incredibly convenient. Gone are the days of carrying around heavy textbooks or bulky folders filled with papers. With the click of a button, you can gain immediate access to valuable resources on any device. This convenience allows for efficient studying, researching, and reading on the go. Moreover, the cost-effective nature of downloading Life Science Paper 1 Prelim Memorandum has democratized knowledge. Traditional books and academic journals can be expensive, making it difficult for individuals with limited financial resources to access information. By offering free PDF downloads, publishers and authors are enabling a wider audience to benefit from their work. This inclusivity promotes equal opportunities for learning and personal growth. There are numerous websites and platforms where individuals can download Life Science Paper 1 Prelim Memorandum. These websites range from academic databases offering research papers and journals to online libraries with an expansive collection of books from various genres. Many authors and publishers also upload their work to specific websites, granting readers access to their content without any charge. These platforms not only provide access to existing literature but also serve as an excellent platform for undiscovered authors to share their work with the world. However, it is essential to be cautious while downloading Life Science Paper 1 Prelim Memorandum. Some websites may offer pirated or illegally obtained copies of copyrighted material. Engaging in such activities not only violates copyright laws but also undermines the efforts of authors, publishers, and researchers. To ensure ethical downloading, it is advisable to utilize reputable websites that prioritize the legal distribution of content. When downloading Life Science Paper 1 Prelim Memorandum, users should also consider the potential security risks associated with online platforms. Malicious actors may

exploit vulnerabilities in unprotected websites to distribute malware or steal personal information. To protect themselves, individuals should ensure their devices have reliable antivirus software installed and validate the legitimacy of the websites they are downloading from. In conclusion, the ability to download Life Science Paper 1 Prelim Memorandum has transformed the way we access information. With the convenience, cost-effectiveness, and accessibility it offers, free PDF downloads have become a popular choice for students, researchers, and book lovers worldwide. However, it is crucial to engage in ethical downloading practices and prioritize personal security when utilizing online platforms. By doing so, individuals can make the most of the vast array of free PDF resources available and embark on a journey of continuous learning and intellectual growth.

FAQs About Life Science Paper 1 Prelim Memorandum Books

How do I know which eBook platform is the best for me? Finding the best eBook platform depends on your reading preferences and device compatibility. Research different platforms, read user reviews, and explore their features before making a choice. Are free eBooks of good quality? Yes, many reputable platforms offer high-quality free eBooks, including classics and public domain works. However, make sure to verify the source to ensure the eBook credibility. Can I read eBooks without an eReader? Absolutely! Most eBook platforms offer webbased readers or mobile apps that allow you to read eBooks on your computer, tablet, or smartphone. How do I avoid digital eye strain while reading eBooks? To prevent digital eye strain, take regular breaks, adjust the font size and background color, and ensure proper lighting while reading eBooks. What the advantage of interactive eBooks? Interactive eBooks incorporate multimedia elements, quizzes, and activities, enhancing the reader engagement and providing a more immersive learning experience. Life Science Paper 1 Prelim Memorandum is one of the best book in our library for free trial. We provide copy of Life Science Paper 1 Prelim Memorandum in digital format, so the resources that you find are reliable. There are also many Ebooks of related with Life Science Paper 1 Prelim Memorandum. Where to download Life Science Paper 1 Prelim Memorandum online for free? Are you looking for Life Science Paper 1 Prelim Memorandum PDF? This is definitely going to save you time and cash in something you should think about. If you trying to find then search around for online. Without a doubt there are numerous these available and many of them have the freedom. However without doubt you receive whatever you purchase. An alternate way to get ideas is always to check another Life Science Paper 1 Prelim Memorandum. This method for see exactly what may be included and adopt these ideas to your book. This site will almost certainly help you save time and effort, money and stress. If you are looking for free books then you really should consider finding to assist you try this. Several of Life Science Paper 1 Prelim Memorandum are for sale to free while some are payable. If you arent sure if the books you would like to download

works with for usage along with your computer, it is possible to download free trials. The free guides make it easy for someone to free access online library for download books to your device. You can get free download on free trial for lots of books categories. Our library is the biggest of these that have literally hundreds of thousands of different products categories represented. You will also see that there are specific sites catered to different product types or categories, brands or niches related with Life Science Paper 1 Prelim Memorandum. So depending on what exactly you are searching, you will be able to choose e books to suit your own need. Need to access completely for Campbell Biology Seventh Edition book? Access Ebook without any digging. And by having access to our ebook online or by storing it on your computer, you have convenient answers with Life Science Paper 1 Prelim Memorandum To get started finding Life Science Paper 1 Prelim Memorandum, you are right to find our website which has a comprehensive collection of books online. Our library is the biggest of these that have literally hundreds of thousands of different products represented. You will also see that there are specific sites catered to different categories or niches related with Life Science Paper 1 Prelim Memorandum So depending on what exactly you are searching, you will be able to choose ebook to suit your own need. Thank you for reading Life Science Paper 1 Prelim Memorandum. Maybe you have knowledge that, people have search numerous times for their favorite readings like this Life Science Paper 1 Prelim Memorandum, but end up in harmful downloads. Rather than reading a good book with a cup of coffee in the afternoon, instead they juggled with some harmful bugs inside their laptop. Life Science Paper 1 Prelim Memorandum is available in our book collection an online access to it is set as public so you can download it instantly. Our digital library spans in multiple locations, allowing you to get the most less latency time to download any of our books like this one. Merely said, Life Science Paper 1 Prelim Memorandum is universally compatible with any devices to read.

Find Life Science Paper 1 Prelim Memorandum :

manual all wheel drive cars

1970 mgb shop manual

porsche 911 carrera 4 2 964 service repair manual

upmspholiday list 2015

navigat x mk gyro manual offset test

manuale di infortunistica stradale

instructors resource manual and math practice for applied

standard 12 botany practical manual

19 3 guided reading popular culture answers

germany since 1918

novel star answer key for english

6 hp chrysler outboard manual

be my knife a novel

x264dn service manual

journey back to god

Life Science Paper 1 Prelim Memorandum :

the jonny nexus compilation mongoose signs and portents - Jan 08 2023

web nov 9 2018 many years ago someone invented the game of dungeons and dragons in the 1970s university students would waste many a night sitting around a table following

dungeons dragons jonny nexu by mnode62 issuu - Jul 02 2022

web may 29 2020 overview dynu dynamic dns client for chrome this client automatically updates a dynu hosted dynamic dns hostname with your current public ip address it

dungeonsdragonsjonnynexus - Mar 30 2022

web dungeons dragons jonny nexus 1 dungeons dragons jonny nexus dungeons dragons jonny nexus downloaded from brannacholann com by guest roland

dungeonsdragonsjonnynexus download only - Dec 27 2021

web awesome thanks for review u made feel me warmy prouidy for what ive done

gamenight by jonny nexus book review sfcrowsnest - Dec 07 2022

web forum list dungeons dragons one d d 5 5e level up advanced 5th edition d d older editions ttrpgs general pathfinder starfinder en publishing geek talk

jonny nexus the personal blog of the author jonny nexus - Jul 14 2023

web i got here through dungeons dragons followed by call of cthulhu and warhammer fantasy roleplaying and i think this shows in the style in which i write and the stories i

jonny nexus - Aug 15 2023

web my name s jonny i live in greater manchester and i m a business analyst by day author by night i ve self published four fantasy sf novels game night if pigs could fly the

the nexus files mongoose odd bits dungeon masters guild - Oct 05 2022

web in this instalment of our mod author interview series we re talking to johnnyjohnnybs about his modding projects for blade sorcery including the exciting new multiplayer

the jonny nexus compilation drivethrurpg com - Mar 10 2023

web about jonny nexus jonny nexus lives in greater manchester england with his wife their daughter a dog and an array of chew toys that the dog invariably leaves on the top

dungeons dragons jonny nexu by gustavoharden4010 issuu - Aug 23 2021

dungeons dragons jonny nexus brannacholann - Feb 26 2022

web jan 11 2006 literally the first image i uploaded and all the history that contains for my colouring career the comments faves and the milestone it represents are all gone

amazon com game night 9781906402013 nexus - Apr 11 2023

web aug 30 2006 the jonny nexus compilation signs and portents presents the jonny nexus compilationa compendium of articles originally written by jonny nexus for signs

dungeon jones by nimlos - Nov 25 2021

web may 26 2020 you recently uploaded johnny s multiplayer beta which allows you to play blade sorcery with your friends i think you ll agree this is a big deal can you tell us

here s johnny johnnyjohnnybs at darkest dungeon nexus - Oct 25 2021

web sep 24 2017 read dungeons dragons jonny nexu by sonia87tiara on issuu and browse thousands of other publications on our platform start here

jonny nexus amazon co uk - Feb 09 2023

web the jonny nexus compilation signs and portents presents the jonny nexus compilationa compendium of articles originally written by jonny nexus for si

grimes says she s chaotic good and amber heard is chaotic - Aug 03 2022

web jan 10 2018 read dungeons dragons jonny nexu by mnode62 on issuu and browse thousands of other publications on our platform start here

here s johnny johnnyjohnnybs at dungeon dreams nexus - Sep 04 2022

web grimes and amber heard may both have dated elon musk but grimes believes there are some stark differences between them in fact according to musk s latest biography

[dynu dynamic dns client chrome web store google chrome](#) - Jun 01 2022

web dungeons dragons jonny nexus 1 dungeons dragons jonny nexus getting the books dungeons dragons jonny nexus now is not type of inspiring means you could not

jonny nexus en world tabletop rpg news reviews - Nov 06 2022

web the nexus files in may 2003 jonny nexus embarked on a journey that would take him from the ruins of post wwiii poland to the shores of

jonny nexus s tweets twitter - May 12 2023

web feb 1 2009 writer gamer coder husband and daddy to two little girls one canine one hominid i spend lot of time in my own head in defence it s a nice place to be

dungeons dragons jonny nexus old joniandfriends org - Apr 30 2022

web dungeons dragons jonny nexus m moam info feb 20 2023 dungeons dragons jonny nexus jul 29 2010 as of 2006

dungeons dragons remains the best known 8 and best

dungeons dragons jonny nexus m moam info - Jun 13 2023

web dungeons dragons jonny nexus jul 29 2010 as of 2006 dungeons dragons remains the best known 8 and best selling 9 their ability scores dungeons

userpage of dragon nexus fur affinity dot net - Jan 28 2022

web dungeons dragons jonny nexus slidelegend com dungeons dragons abbreviated as d d 1 is a fantasy role playing game rpg originally designed by gary gygax and dave arneson

dungeons dragons jonny nexu by sonia87tiara issuu - Sep 23 2021

web aug 30 2017 dungeons dragons jonny nexu this particular document discuss about the topic of dungeons dragons jonny nexu coupled with all the

moda c lisation des bases de donna c es uml et le - Jun 02 2022

web 2 moda c lisation des bases de donna c es uml et le 2023 03 11 now in its eighth edition george ritzer s mcdonaldization of society continues to stand as one of the

moda c lisation des bases de donna c es uml et le - Jul 15 2023

web moda c lisation des bases de donna c es uml et le 1 moda c lisation des bases de donna c es uml et le through the models of writing gulf war air power survey

[moda c lisation des bases de donna c es uml et le full pdf](#) - Oct 06 2022

web 4 moda c lisation des bases de donna c es uml et le 2021 12 10 of written and spoken text corpora new reflections on grammaticaliz ation john benjamins

mode modular international modular platforms - Sep 05 2022

web jul 26 2021 mode s business model is the product of decades of experience in the volumetric modular space mode enables developers and partners to utilise a modular

apa itu moda pengertian moda dan definisinya dalam glosarium - Aug 04 2022

web apr 10 2019 apa itu moda merujuk pada istilah yang memiliki makna dan signifikansi tertentu untuk memperoleh pemahaman yang lebih mendalam mengenai istilah ini

moda c lisation de bases de donna c es uml et les - May 01 2022

web 2 moda c lisation de bases de donna c es uml et les 2023 05 19 psychology of liberation movement has been a catalyst for collective and individual change in

moda c lisation de bases de donna c es uml et les - Oct 18 2023

web moda c lisation de bases de donna c es uml et les Étude sur le cadastre des terres les hypothèques l enregistrement des actes publics et la péréquation de l impôt foncier

moda c lisation des bases de donna c es uml et le - Jul 03 2022

web 2 moda c lisation des bases de donna c es uml et le 2022 01 16 individual change in communities throughout latin america and beyond and recent political developments

moda c lisation de bases de donna c es uml et les copy - Aug 16 2023

web moda c lisation de bases de donna c es uml et les 5 5 capables de formaliser les problèmes rencontrés ce livre vise à présenter de façon formalisée et concise les

moda c lisation des bases de donna c es uml et le - Nov 07 2022

web 4 moda c lisation des bases de donna c es uml et le 2019 12 19 aléatoire un intérêt égal est porté aux aspects relatifs à la modélisation des signaux et à ceux relatifs à leur

moda c lisation de bases de donna c es uml et les copy - Dec 28 2021

web ce livre vise à présenter de façon formalisée et concise les bases du traitement du signal aléatoire un intérêt égal est porté aux aspects relatifs à la modélisation des signaux et à

moda c lisation de bases de donna c es uml et les 2023 - Feb 27 2022

web 2 moda c lisation de bases de donna c es uml et les 2022 11 19 télévisuelles du journal d informations en france et en allemagne et en étudie le discours l analyse de

moda c lisation des bases de donna c es uml et le 2023 - Feb 10 2023

web a chacun des trois a c tages cervical thoracique et lombaire est pra c cisa c e la place respective de l appareillage de la chirurgie avec diffa c rentes osta c osyntha ses

moda c lisation des bases de donna c es uml et le - Jan 29 2022

web moda c lisation des bases de donna c es uml et le jurisprudence générale traitement du signal aléatoire semaine médicale professionnelle et médico sociale

moda c lisation de bases de donna c es uml et les - Dec 08 2022

web jul 9 2023 *moda c lisation de bases de donna c es uml et les 2 12* downloaded from uniport edu ng on july 9 2023 by guest relative clauses in languages of the americas

pdf moda c lisation des bases de donna c es uml et le - May 13 2023

web *moda c lisation des bases de donna c es uml et le modèle uml unified modeling language ibm oct 06 2022* web un diagramme uml langage de modélisation unifié

moda c lisation des bases de donna c es uml et le pdf - Sep 17 2023

web *moda c lisation des bases de donna c es uml et le uml pour le temps réel le langage et les méthodes may 01 2020 uml 2 apr 23 2022* ce cahier montre à tous

moda c lisation de bases de donna c es uml et les lorenzo - Apr 12 2023

web feb 19 2023 *moda c lisation de bases de donna c es uml et les getting the books moda c lisation de bases de donna c es uml et les now is not type of challenging*

moda c lisation des bases de donna c es uml et le copy - Mar 31 2022

web *moda c lisation des bases de donna c es uml et le 3 3 think more deeply about tla its importance its nature and its impact upon teaching and potentially upon learning*

moda c lisation des bases de donna c es uml et le pdf - Nov 26 2021

web *moda c lisation des bases de donna c es uml et le 1 moda c lisation des bases de donna c es uml et le the mcdonaldization of society handbook of consumer*

moda c lisation des bases de donna c es uml et le wrbb neu - Jun 14 2023

web 2 *moda c lisation des bases de donna c es uml et le 2022 09 05 catalyst for collective and individual change in communities throughout latin america and beyond*

moda c lisation des bases de donna c es uml et le paul - Mar 11 2023

web kindly say the *moda c lisation des bases de donna c es uml et le is universally compatible with any devices to read a tapestry of values kevin christopher elliot 2017*

moda c lisation des bases de donna c es uml et le - Jan 09 2023

web 2 *moda c lisation des bases de donna c es uml et le 2023 01 13 standards and the most up to date information on newly developed crrt machines continuous renal*

handbook of the birds of the world volume 4 sandgrouse to - Aug 02 2022

web dec 30 2009 *baker fbi birds 4 bookreader item preview fauna of british india birds volume 4 e c stuart baker addeddate 2009 12 30 12 13 55 identifier bakerfbibirds4*

garden of birds volume 4 by david jansen goodreads - May 11 2023

web buy garden of birds volume 4 by jansen art studio david jansen online at alibris we have new and used copies available in 1 editions starting at 28 15 shop now

garden of birds volume 4 by jansen art studio goodreads - Mar 09 2023

web find many great new used options and get the best deals for garden of birds volume 4 by david jansen and jansen art studio 2019 trade paperback at the best online

handbook of the birds of the world volume 4 lynx nature - Oct 04 2022

web dec 1 1997 buy handbook of the birds of the world volume 4 sandgrouse to cuckoos handbooks of the birds of the world english french german and spanish edition

garden of birds volume 4 kindle edition amazon com - Dec 26 2021

a garden of birds paint it simply concept lessons - Sep 22 2021

a garden of birds volume 2 paint it simply concept - Nov 24 2021

a garden of birds volume 3 paint it simply concept lessons - Oct 24 2021

garden of birds volume 4 by david jansen and jansen art - Feb 08 2023

web garden of birds volume 4 by jansen art studio and david jansen available in trade paperback on powells com also read synopsis and reviews join david as he continues

garden of birds volume 4 kindle edition amazon co uk - Jun 12 2023

web garden of birds volume 4 book read reviews from world s largest community for readers

garden of birds volume 4 powell s books - Jan 07 2023

web b5052 a garden of birds vol 4 art of painting series printed 29 95 sku b5052 shipping calculated at checkout quantity product description b5052 a garden of

garden of the dead flowers chapter 4 mangabuddy - Feb 25 2022

web oct 14 2016 a garden of birds volume 3 paint it simply concept lessons jansen david studio jansen art 9781539429098 amazon com books books

painting lessons with david books garden of birds - Nov 05 2022

web we present garden of birds volume 4 and numerous book collections from fictions to scientific research in any way in the course of them is this garden of birds volume 4

garden of eden part four volume 4 carl hultberg - Mar 29 2022

web birds of paradise film konusu yorumu incelemesi cennet kuşları eleştirisi yönetmeni senaristi oyuncularını karakterleri yayınlanma tarihi imdb puanı fragmanı hakkında

birds of paradise film konusu ve yorumu amazon prime video - Jan 27 2022

web jun 5 2015 join david in this beautiful study of artistic bird painting david has been painting all varieties of styles of birds for over 35 years now he will take you on a

garden of birds volume 4 alibris - Apr 10 2023

web rather than render each bird as a realistic impression david demonstrates how to use the principle of art to turn the subject matter into a beautiful artistic painting this book

garden of birds volume 4 wrbb neu - Sep 03 2022

web feb 15 2016 read reviews from the world's largest community for readers join david in this beautiful study of artistic bird painting in this volume david will introduce a garden

birds of britain garden birds volume 1 filmed in slow motion - Apr 29 2022

web read garden of the dead flowers chapter 4 mangabuddy the next chapter chapter 5 is also available here come and enjoy when mila woke up she suddenly returns to the

a garden of birds volume 2 paint it simply concept lessons - Jul 01 2022

web birds of britain garden birds volume 1 filmed in slow motion birds in the video robin goldfinch bullfinch chaffinch starling house sparrow blue tit blackbird

garden of birds volume 4 paperback 2 aug 2019 amazon co uk - Jul 13 2023

web garden of birds volume 4 ebook jansen david studio jansen amazon co uk kindle store

b5052 a garden of birds vol 4 art of painting series printed - Dec 06 2022

web the volume describes 6 families fewer than other volumes but contains the most species 834 species as some of the families are very large pigeons and doves 309 species

garden of birds volume 4 jansen david studio - Aug 14 2023

web garden of birds volume 4 jansen david studio jansen art amazon co uk books

baker fbi birds 4 e c stuart baker free download borrow - May 31 2022

web garden of eden part four volume 4 carl hultberg borrow a w dimock read the adventures of sherlock holmes online borrow borrow your course resources as you