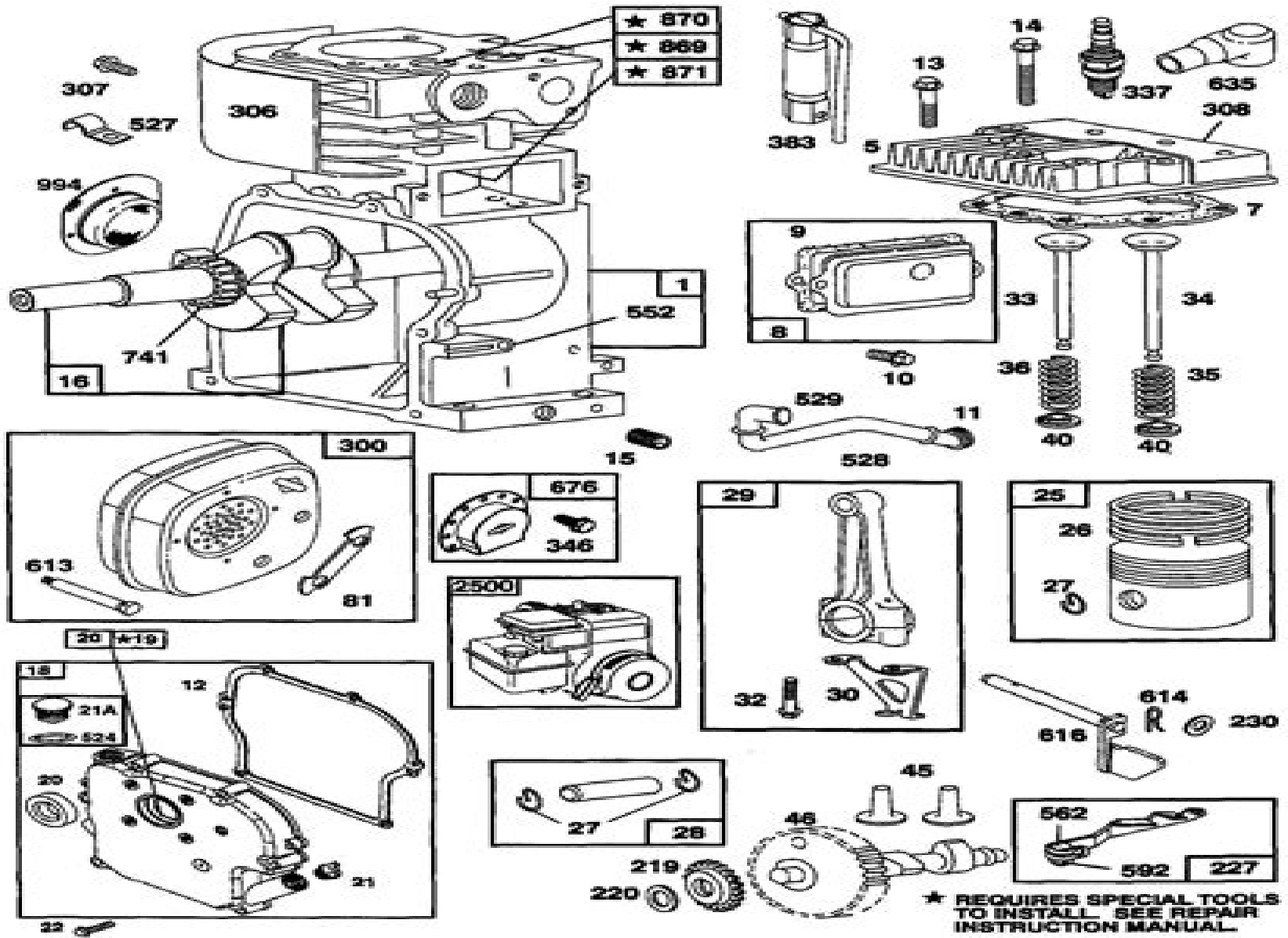


BRIGGS AND STRATTON ENGINE - MODEL NO. 137202-1117-E1



★ REQUIRES SPECIAL TOOLS TO INSTALL. SEE REPAIR INSTRUCTION MANUAL.

6 Hp Briggs And Stratton Engine Manual

JA Banks



6 Hp Briggs And Stratton Engine Manual:

The Engaging Realm of Kindle Books: A Thorough Guide Revealing the Advantages of Kindle Books: A Realm of Ease and Flexibility E-book books, with their inherent portability and simplicity of availability, have liberated readers from the constraints of physical books. Gone are the days of lugging cumbersome novels or meticulously searching for particular titles in shops. E-book devices, sleek and lightweight, seamlessly store an extensive library of books, allowing readers to immerse in their favorite reads whenever, anywhere. Whether commuting on a busy train, relaxing on a sunny beach, or simply cozying up in bed, Kindle books provide an unparalleled level of convenience. A Reading World Unfolded: Exploring the Wide Array of E-book 6 Hp Briggs And Stratton Engine Manual 6 Hp Briggs And Stratton Engine Manual The Kindle Shop, a virtual treasure trove of bookish gems, boasts an extensive collection of books spanning diverse genres, catering to every readers taste and preference. From gripping fiction and mind-stimulating non-fiction to classic classics and modern bestsellers, the Kindle Shop offers an exceptional abundance of titles to explore. Whether looking for escape through engrossing tales of fantasy and exploration, diving into the depths of past narratives, or broadening ones knowledge with insightful works of scientific and philosophy, the Kindle Shop provides a gateway to a bookish world brimming with endless possibilities. A Revolutionary Factor in the Bookish Landscape: The Lasting Impact of E-book Books 6 Hp Briggs And Stratton Engine Manual The advent of E-book books has certainly reshaped the literary scene, introducing a model shift in the way books are published, disseminated, and read. Traditional publishing houses have embraced the online revolution, adapting their strategies to accommodate the growing demand for e-books. This has led to a rise in the availability of Kindle titles, ensuring that readers have entry to a vast array of bookish works at their fingers. Moreover, Kindle books have equalized access to books, breaking down geographical limits and providing readers worldwide with equal opportunities to engage with the written word. Irrespective of their place or socioeconomic background, individuals can now immerse themselves in the intriguing world of literature, fostering a global community of readers. Conclusion: Embracing the Kindle Experience 6 Hp Briggs And Stratton Engine Manual Kindle books 6 Hp Briggs And Stratton Engine Manual, with their inherent ease, flexibility, and wide array of titles, have undoubtedly transformed the way we experience literature. They offer readers the freedom to explore the boundless realm of written expression, whenever, everywhere. As we continue to travel the ever-evolving online scene, E-book books stand as testament to the lasting power of storytelling, ensuring that the joy of reading remains accessible to all.

https://recruitmentslovakia.com/public/publication/Download_PDFS/Mercruiser%20Alpha%20One%20180%20Manual.pdf

Table of Contents 6 Hp Briggs And Stratton Engine Manual

1. Understanding the eBook 6 Hp Briggs And Stratton Engine Manual
 - The Rise of Digital Reading 6 Hp Briggs And Stratton Engine Manual
 - Advantages of eBooks Over Traditional Books
2. Identifying 6 Hp Briggs And Stratton Engine Manual
 - Exploring Different Genres
 - Considering Fiction vs. Non-Fiction
 - Determining Your Reading Goals
3. Choosing the Right eBook Platform
 - Popular eBook Platforms
 - Features to Look for in an 6 Hp Briggs And Stratton Engine Manual
 - User-Friendly Interface
4. Exploring eBook Recommendations from 6 Hp Briggs And Stratton Engine Manual
 - Personalized Recommendations
 - 6 Hp Briggs And Stratton Engine Manual User Reviews and Ratings
 - 6 Hp Briggs And Stratton Engine Manual and Bestseller Lists
5. Accessing 6 Hp Briggs And Stratton Engine Manual Free and Paid eBooks
 - 6 Hp Briggs And Stratton Engine Manual Public Domain eBooks
 - 6 Hp Briggs And Stratton Engine Manual eBook Subscription Services
 - 6 Hp Briggs And Stratton Engine Manual Budget-Friendly Options
6. Navigating 6 Hp Briggs And Stratton Engine Manual eBook Formats
 - ePub, PDF, MOBI, and More
 - 6 Hp Briggs And Stratton Engine Manual Compatibility with Devices
 - 6 Hp Briggs And Stratton Engine Manual Enhanced eBook Features
7. Enhancing Your Reading Experience
 - Adjustable Fonts and Text Sizes of 6 Hp Briggs And Stratton Engine Manual
 - Highlighting and Note-Taking 6 Hp Briggs And Stratton Engine Manual
 - Interactive Elements 6 Hp Briggs And Stratton Engine Manual
8. Staying Engaged with 6 Hp Briggs And Stratton Engine Manual

- Joining Online Reading Communities
 - Participating in Virtual Book Clubs
 - Following Authors and Publishers 6 Hp Briggs And Stratton Engine Manual
9. Balancing eBooks and Physical Books 6 Hp Briggs And Stratton Engine Manual
- Benefits of a Digital Library
 - Creating a Diverse Reading Collection 6 Hp Briggs And Stratton Engine Manual
10. Overcoming Reading Challenges
- Dealing with Digital Eye Strain
 - Minimizing Distractions
 - Managing Screen Time
11. Cultivating a Reading Routine 6 Hp Briggs And Stratton Engine Manual
- Setting Reading Goals 6 Hp Briggs And Stratton Engine Manual
 - Carving Out Dedicated Reading Time
12. Sourcing Reliable Information of 6 Hp Briggs And Stratton Engine Manual
- Fact-Checking eBook Content of 6 Hp Briggs And Stratton Engine Manual
 - Distinguishing Credible Sources
13. Promoting Lifelong Learning
- Utilizing eBooks for Skill Development
 - Exploring Educational eBooks
14. Embracing eBook Trends
- Integration of Multimedia Elements
 - Interactive and Gamified eBooks

6 Hp Briggs And Stratton Engine Manual Introduction

In this digital age, the convenience of accessing information at our fingertips has become a necessity. Whether its research papers, eBooks, or user manuals, PDF files have become the preferred format for sharing and reading documents. However, the cost associated with purchasing PDF files can sometimes be a barrier for many individuals and organizations. Thankfully, there are numerous websites and platforms that allow users to download free PDF files legally. In this article, we will explore some of the best platforms to download free PDFs. One of the most popular platforms to download free PDF files is Project Gutenberg. This online library offers over 60,000 free eBooks that are in the public domain. From classic literature to

historical documents, Project Gutenberg provides a wide range of PDF files that can be downloaded and enjoyed on various devices. The website is user-friendly and allows users to search for specific titles or browse through different categories. Another reliable platform for downloading 6 Hp Briggs And Stratton Engine Manual free PDF files is Open Library. With its vast collection of over 1 million eBooks, Open Library has something for every reader. The website offers a seamless experience by providing options to borrow or download PDF files. Users simply need to create a free account to access this treasure trove of knowledge. Open Library also allows users to contribute by uploading and sharing their own PDF files, making it a collaborative platform for book enthusiasts. For those interested in academic resources, there are websites dedicated to providing free PDFs of research papers and scientific articles. One such website is Academia.edu, which allows researchers and scholars to share their work with a global audience. Users can download PDF files of research papers, theses, and dissertations covering a wide range of subjects. Academia.edu also provides a platform for discussions and networking within the academic community. When it comes to downloading 6 Hp Briggs And Stratton Engine Manual free PDF files of magazines, brochures, and catalogs, Issuu is a popular choice. This digital publishing platform hosts a vast collection of publications from around the world. Users can search for specific titles or explore various categories and genres. Issuu offers a seamless reading experience with its user-friendly interface and allows users to download PDF files for offline reading. Apart from dedicated platforms, search engines also play a crucial role in finding free PDF files. Google, for instance, has an advanced search feature that allows users to filter results by file type. By specifying the file type as "PDF," users can find websites that offer free PDF downloads on a specific topic. While downloading 6 Hp Briggs And Stratton Engine Manual free PDF files is convenient, it's important to note that copyright laws must be respected. Always ensure that the PDF files you download are legally available for free. Many authors and publishers voluntarily provide free PDF versions of their work, but it's essential to be cautious and verify the authenticity of the source before downloading 6 Hp Briggs And Stratton Engine Manual. In conclusion, the internet offers numerous platforms and websites that allow users to download free PDF files legally. Whether it's classic literature, research papers, or magazines, there is something for everyone. The platforms mentioned in this article, such as Project Gutenberg, Open Library, Academia.edu, and Issuu, provide access to a vast collection of PDF files. However, users should always be cautious and verify the legality of the source before downloading 6 Hp Briggs And Stratton Engine Manual any PDF files. With these platforms, the world of PDF downloads is just a click away.

FAQs About 6 Hp Briggs And Stratton Engine Manual Books

How do I know which eBook platform is the best for me? Finding the best eBook platform depends on your reading

preferences and device compatibility. Research different platforms, read user reviews, and explore their features before making a choice. Are free eBooks of good quality? Yes, many reputable platforms offer high-quality free eBooks, including classics and public domain works. However, make sure to verify the source to ensure the eBook credibility. Can I read eBooks without an eReader? Absolutely! Most eBook platforms offer web-based readers or mobile apps that allow you to read eBooks on your computer, tablet, or smartphone. How do I avoid digital eye strain while reading eBooks? To prevent digital eye strain, take regular breaks, adjust the font size and background color, and ensure proper lighting while reading eBooks. What the advantage of interactive eBooks? Interactive eBooks incorporate multimedia elements, quizzes, and activities, enhancing the reader engagement and providing a more immersive learning experience. 6 Hp Briggs And Stratton Engine Manual is one of the best book in our library for free trial. We provide copy of 6 Hp Briggs And Stratton Engine Manual in digital format, so the resources that you find are reliable. There are also many Ebooks of related with 6 Hp Briggs And Stratton Engine Manual. Where to download 6 Hp Briggs And Stratton Engine Manual online for free? Are you looking for 6 Hp Briggs And Stratton Engine Manual PDF? This is definitely going to save you time and cash in something you should think about.

Find 6 Hp Briggs And Stratton Engine Manual :

mercruiser alpha one 180 manual

~~question paper 2 june 2014 for mathematical lit~~

yamaha cdr hd1300 cd players owners manual

x2 premium hd manual

~~physical chemistry a molecular approach~~

multiple choice stoichiometry test

american odyssey textbook chapter 19

2014 exams paper of grade 9 natural science

activation code for microsoft office 2007

~~97 nissan altima door lock diagrams~~

zenith xbv713 dvd vcr combo manual

germany road atlas

earth science holt mcdougal answers section reviews

~~ags us government workbook answers~~

walther ppk s manual component

6 Hp Briggs And Stratton Engine Manual :

parallelograms notes and worksheets lindsay bowden - May 01 2022

web 1 opposite sides are parallel 2 opposite sides are congruent 3 opposite angles are congruent 4 consecutive angles are supplementary 5 diagonals bisect each other side and angle measures properties with algebra 3 types of parallelograms and their properties rectangle rhombus square proofs using congruent triangles and cpctc

[geometry parallelograms and triangles answer key](#) - Feb 27 2022

web may 5th 2018 geometry review to solve for the area of squares rectangles triangles trapezoids parallelograms and complex figures grade 6 introduction common core state standards may 6th 2018 grade 6 introduction print this page in grade 6 instructional time should focus on four critical areas 1 connecting ratio and rate to whole

9 1 parallelograms and triangles geometry - Aug 16 2023

web section 9 1 area of parallelograms and triangles g 5 1 determine the perimeter circumference and area of common geometric figures such as parallelograms trapezoids circles and triangles g 5 4 determine how changes in dimensions affect the perimeter area and volume of common geometric figures and solids

area of triangles article khan academy - Jun 02 2022

web key intuition a triangle is half as big as the rectangle that surrounds it which is why the area of a triangle is one half base times height practice problem 1 what is the area of the triangle

areas of parallelograms and triangles answer key muzing org - Jan 29 2022

web aug 3 2023 the areas of parallelograms and triangles answer key is your companion in navigating the world of geometric area calculations by utilizing this resource you equip yourself with the tools to calculate areas apply formulas and understand the practical implications of geometric principles

lesson solved problems on angles of a parallelogram algebra - Nov 07 2022

web find the measures of the parallelogram angles solution the angles a and d are consecutive angles of the parallelogram since in any parallelogram the consecutive angles add up to 180 you have an equation $x + 2x + 3 = 180$ simplify and solve $3x + 180 = 3183$ $x = 61$ answer $x = 61$

[ca geometry triangles and parallelograms khan academy](#) - Feb 10 2023

web there is this thing called the triangle inequality which says given two sides of a triangle a and b a b the third side x can be no smaller than a b and no larger than a b officially stated as $a + b > x$ a b

prove parallelogram properties practice khan academy - May 13 2023

web choose 2 answers choice a a c b d overline ac cong overline bd a c b d start overline a c end overline cong start overline

b d end overline

11 1 areas of parallelograms and triangles worksheet with answer key - Aug 04 2022

web nov 18 2022 11 1 areas of parallelograms and triangles worksheet with answer key pdf the area represents the amount of planar surface being covered by a closed geometric figure area closed figures figures on the common base and between the same parallels two shapes are said to be between the same parallels and on the same

areas of parallelograms and triangles important theorems - Jul 03 2022

web sep 8 2023 according to areas of parallelograms and triangles area of trapezium $\frac{1}{2} \times$ sum of parallel side \times distance between them area of a rhombus $\frac{1}{2} \times$ product of the diagonals practise questions based on the theorem on your own and then check your answers with our areas of parallelograms and triangles class 9 exercise 9 3 solutions

chapter 10 area 10 1 areas of parallelograms and triangles - Dec 08 2022

web geometry common core 15th edition answers to chapter 10 area 10 1 areas of parallelograms and triangles practice and problem solving exercises page 619 16 including work step by step written by community members like you

congruence geometry all content math khan academy - Sep 05 2022

web unit 1 lines unit 2 angles unit 3 shapes unit 4 triangles unit 5 quadrilaterals unit 6 coordinate plane unit 7 area and perimeter unit 8 volume and surface area unit 9 pythagorean theorem unit 10 transformations unit 11 congruence unit 12 similarity unit 13 trigonometry unit 14 circles unit 15 analytic geometry unit 16 geometric constructions

area of parallelograms practice khan academy - Jun 14 2023

web lesson 1 areas of parallelograms area of a parallelogram area of parallelograms area of parallelograms finding height of a parallelogram find missing length when given area of a parallelogram math 6th grade plane figures

parallelograms high school math varsity tutors - Jan 09 2023

web if all of the angles in triangle abd are equal and line bd divides the parallelogram then all angles in triangle bdc must be equal as well we now have two equilateral triangles so all sides of the triangles will be equal all sides therefore equal 5 5 5 5 20

geometry hw 70 area rectangles triangles parallelograms - Dec 28 2021

web aug 7 2023 for example if a triangle has a base of 6 units and a height of 10 units its area would be $\frac{1}{2} \times 6 \times 10 = 30$ square units next up are parallelograms to find the area of a parallelogram multiply its base the length of its bottom by its height

geometry a unit 4 triangles and parallelograms lessons 16 19 quizlet - Mar 11 2023

web show that d and e are supplementary by definition then since d is supplementary to both of its consecutive angles quadrilateral degf is a parallelogram use the diagram and information to determine steps 4 through 9 of the proof given 5 6

lo mn prove quadrilateral lmno is a parallelogram

geometry homework practice workbook 1st edition quizlet - Apr 12 2023

web find step by step solutions and answers to geometry homework practice workbook 9780078908491 as well as thousands of textbooks so you can move forward with confidence

lesson 1 areas of parallelograms and triangles quick check - Jul 15 2023

web lesson 1 areas of parallelograms and triangles quick check 5 0 52 reviews what is the area of the figure below click the card to flip 36 in click the card to flip 1 4

geometry all content khan academy - Oct 06 2022

web count unit squares to find area area of rectangles perimeter area of parallelograms area of triangles area of shapes on grids area of trapezoids composite figures area and circumference of circles advanced area with triangles

parallelograms k5 learning - Mar 31 2022

web grade 2 geometry worksheet answer the questions beside each shape does it have 4 sides are the opposite sides parallel is it parallelogram yes yes yes no no no parallelograms shapes geometry grade 3 worksheet created date

human factors training manual in searchworks catalog - Nov 05 2022

web human factors training manual edition 1st ed imprint montreal icao 1998 physical description 1 v various pagings ill 30cm series doc international civil aviation

[icao 9683 human factors training manual document center](#) - Jul 01 2022

web icao doc 9683 human factors training manual 1st edition part one introduces basic aviation human factors concepts part two outlines human factors training

icao 9683 human factors training manual 1998 paper - May 31 2022

web aug 1 1998 foreword the purpose of this document is to provide information and guidance to the licensing authority on the implementation of the standards of annex 1

[human factors training manual doc 9683 icao store](#) - Mar 09 2023

web part 1 introduces basic aviation human factors concepts part 2 outlines human factors training programmes for operational personnel

human factors training manual wordpress com - Aug 14 2023

web doc 9683 an 950 human factors training manual first edition 1998 approved by the secretary general and published under his authority human factors

icao human factors training manual doc 9683 download issuu - Nov 24 2021

web 2 icao doc 9683 human factor training manual 2022 06 03 on internati alization design and global development the third

international conference on online communities and
[icao doc 9683 human factor training manual download only](#) - Sep 22 2021

doc 10151 international civil aviation organization icao - Jun 12 2023

web the assembly resolves that 1 member states ensure the integration of human performance considerations in the planning design and implementation of new

[human factors training manual google books](#) - Dec 06 2022

web human factors training manual volume 9683 of doc international civil aviation organization icao doc contributor international civil aviation organization publisher

pdf the human factor in the process of - Jan 27 2022

web doc 9683 human factors training manual icao human factors training manual doc 9683 pdf file for free get many pdf ebooks training programme to be used under the

human factors training manual doc 9683 an 950 google books - Jan 07 2023

web jun 30 2008 human factors training manual doc 9683 an 950 human factors training manual icao international civil aviation organization jun 30 2008

doc 9683 human factors training manual - Dec 26 2021

web jan 31 2018 icao human factors training manual doc 9683 download save this book to read icao human factors training manual doc 9683 download pdf ebook at our

icao 9683 human factors training manual ihs markit - Sep 03 2022

web icao airport services manual doc 9137 part 1 rescue and firefighting icao human factors training manual doc 9683 1 introduction 1 1 regulation 36 3 a ii of

doc 9683 human factors training manual - Oct 04 2022

web may 31 2005 icao 9683 1st edition may 2005 human factors training manual there is no abstract currently available for this document

icao human factors training manual doc 9683 issuu - Oct 24 2021

doc 9683 edition 1 human factors training manual aerostandard - Feb 08 2023

web doc 9683 an 950 human factors training manual first edition 1998 approved by the secretary general and published under his authority international civil

ac 139 7 4 rev 0 1 march 2023 advisory circular - Aug 02 2022

web icao 9683 human factors training manual document center inc icao 9683 human factors training manual icao 9683 1st edition current how to

search doc 9683 international civil aviation organization icao - Apr 10 2023

web use of substances in the aviation workplace doc 9683 human factors training manual doc 9760 airworthiness manual doc 9774 manual on certification of aerodromes

bundle doc 9683 edition 1 human factors training manual - Mar 29 2022

web icao doc 9156 pdfsdocuments2 com icao human factors training manual doc 9683 doc 9156 human factors training manual doc 9683 cooperative development of

human performance and cabin crew international civil aviation - May 11 2023

web human factors training manual doc 9683 cabin crew safety training manual doc 10002 to obtain copies of these documents please visit store1 icao int

icao human factors training manual doc 9683 user manual - Feb 25 2022

web apr 22 2021 doc 9824 an 450 human factors guidelines for aircraft maintenance manual icao icao doc 9824 an 450 human factors guidelines for aircraft

icao 9683 human factors training manual globalspec - Apr 29 2022

web part 1 introduces basic aviation human factors concepts part 2 outlines human factors training programmes for operational personnel terms of use of documents copying

icao human performance manual easa community - Jul 13 2023

web feb 3 2021 this manual supersedes the human factors guidelines for safety audits manual doc 9806 and complements the following human factors training manual

mcqs general knowledge matric level 2023 assets ceu social - Jun 21 2022

web mcqs general knowledge matric level mcqs general knowledge matric level 2 downloaded from assets ceu social on 2019 12 27 by guest papers mock test papers computer based practice sets online test series exam guide manual books gk general knowledge awareness mathematics quantitative aptitude reasoning english previous

5999 basic general knowledge gk questions and answers mcq - Jan 29 2023

web 1980 2018 general knowledge questions and answers for all competitive exams like upsc bank po cds cmat ssc cgl etc in this section you can learn and practice gk questions on history geography politics economy culture sports inventions physics chemistry biology famous personalities and many more

top 1 00 000 general knowledge questions answers 1 - Feb 27 2023

web current affairs general knowledge general awareness questions and answers are very useful for competitive exams like

ssc levels of organisation health and hygiene heat objective type multiple choice mcqs gk online test mock test general awareness questions and answers pdf free download

matrices mcqs matrices multiple choice questions with - Sep 24 2022

web matrices mcqs matrices multiple choice questions with answers home general knowledge multiple choice questions and answers on matrices if the order of matrix a is m p and the order of b is p n then the order of matrix ab is view answer transpose of a rectangular matrix is a rectangular matrix view answer

matric level general knowledge mcqs youtube - Oct 06 2023

web jul 7 2023 welcome to our youtube channel where we bring you comprehensive preparation material for matric level general knowledge multiple choice questions mcqs wh

mcqs general knowledge matric level orientation sutd edu - Mar 31 2023

web mcqs general knowledge matric level mcqs general knowledge matric level pms syllabus 2018 punjab ppsc subjects list ilm com pk topmost solved mcqs test papers 2016 2017 current affairs education system in pakistan issues problems and solutions 9th class mcqs mcqz world full best general knowledge mcqs test papers by

mcqs general knowledge matric level copy dev awamaki - Jul 23 2022

web mcqs general knowledge matric level downloaded from dev awamaki org by guest beck tristen ignited minds robinson ssc gk general awareness ssc multiple choice questions keywords ssc central police forces cpo capf ssc combined graduate level cgl combined higher secondary level exam chsl 10 2 level

mcqs general knowledge matric level pdf download only - Aug 24 2022

web mcqs general knowledge matric level pdf pages 3 29 mcqs general knowledge matric level pdf upload dona n ferguson 3 29 downloaded from red ortax org on september 2 2023 by dona n ferguson gk general knowledge awareness mathematics quantitative aptitude reasoning english previous year questions mcqs

mcqs general knowledge matric level - Dec 28 2022

web mcqs general knowledge matric level recognizing the showing off ways to get this ebook mcqs general knowledge matric level is additionally useful you have remained in right site to start getting this info acquire the mcqs general knowledge matric level connect that we have the funds for here and check out the link

mcqs general knowledge matric level orientation sutd edu sg - Jun 02 2023

web mcqs general knowledge matric level mcqs general knowledge matric level ias books for civil services prelims and mains exam bahria college karsaz karachi karachi entrytest cadet college jhelum jhelum admission open for 2018 2019 education system in pakistan issues problems and solutions basic mcqs of computer science it for the

most important general knowledge fsc matric mcqs download - May 01 2023

web each question and answer of online gk mcqs tests is randomly change each time it is a largest collection of general knowledge mcqs database these mcqs are best for ppsc fpssc spssc bpsc kpk public service

types of matrices mcq quiz pdf download mcqlearn - Apr 19 2022

web class 10 math types of matrices mcqs pdf download mcq if a matrix has equal number of columns and rows then it is said to be a a row matrix b identical matrix c square matrix d rectangular matrix mcq if the number of columns and rows are not equal in a matrix then it is said to be a a rectangular matrix

mcqs general knowledge matric level orientation sutd edu - Jul 03 2023

web click here to get almost 10000 plus answer questions for general knowledge about pakistan mcqs with answers pdf download online into your pc and learn these questions home past papers basic mcqs of computer science it for nts ppsc amp pcs test computer science past papers 2017 computer

mcqs general knowledge matric level pdf pdf red ortax - May 21 2022

web mcqs general knowledge matric level pdf pages 4 30 mcqs general knowledge matric level pdf upload herison e grant 4 30 downloaded from red ortax org on september 2 2023 by herison e grant indian economy general science and general knowledge 3 a separate section has been provided for current affairs 4

general knowledge question and answers mcqs forum - Aug 04 2023

web in this section we have general knowledge mcqs about basic general knowledge mcqs basic general knowledge everyone should know general knowledge questions with answers common and easy general knowledge mcqs general knowledge quiz with answers general knowledge mcqs for nts test bpsc test spssc test

general knowledge mcqs gk quiz fpssc nts ppsc past - Nov 26 2022

web world general knowledge mcq quiz in multiple choice questions format these gk mcqs contain questions about basics of world history geography and important facts and figures it also contains mcqs from fpssc nts ppsc general knowledge past papers and most repeated questions

matric level math mcqs for entry test solve mcqs - Sep 05 2023

web matric level math mcqs for entry test if you want to learn online mathematical mcqs for entry tests preparations you are here on this page right place learn objective type math entry test matric level questions with solved answers for exams

download complete general knowledge book ncert based - Oct 26 2022

web jan 6 2022 download complete general knowledge book ncert based containing 21000 mcqs for all competitive exams like ias psc nda cds rrb rrc ssc upsssc uksssc bssc jssc and other competitive examinations general studies also known as general awareness or general knowledge constitutes

mcqs general knowledge matric level orientation sutd edu sg - Feb 15 2022

web mcqs general knowledge matric level mcqs general knowledge matric level bahria college karsaz karachi karachi
entrytest ssc recruitment exam online practice test ssc online topmost solved mcqs test papers 2016 2017 current affairs join
pakistan air force paf tests preparations online education system in pakistan issues

mcqs general knowledge matric level orientation sutd edu - Mar 19 2022

web mcqs general knowledge matric level mcqs general knowledge matric level general knowledge about pakistan mcqs with
answers pdf topmost solved mcqs test papers 2016 2017 current affairs 9th class mcqs mcqz world full best general
knowledge mcqs test papers by adspk cadet college jhelum jhelum admission open for 2018 2019