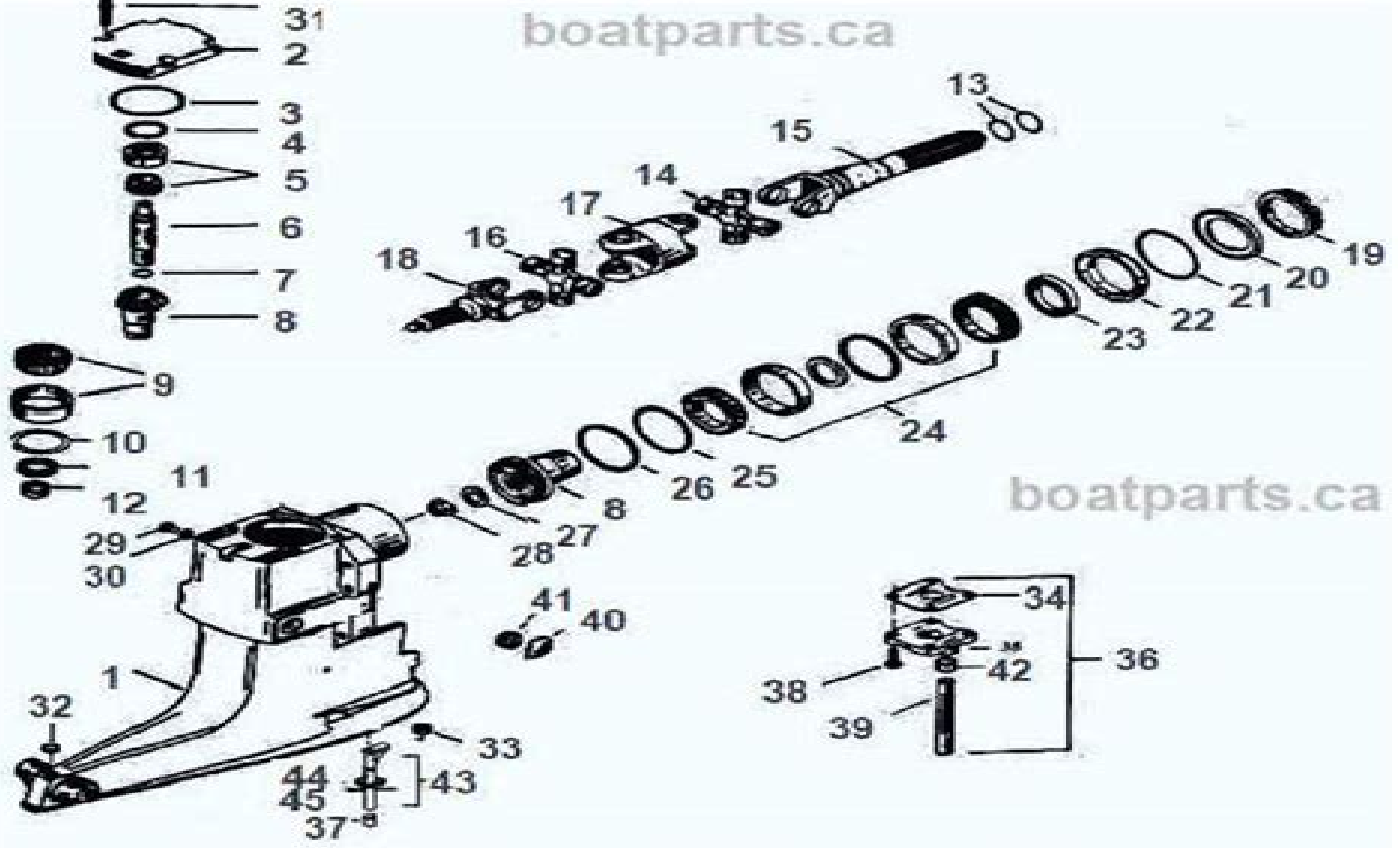


boatparts.ca



boatparts.ca

Mercruiser / Alpha One

boatparts.ca

Mercuriser Alpha One Diagram

Seloc



MerCruiser Alpha One Diagram:

Mercury Stern Drive (1964 - 1992) Seloc,1999-05-01 SELOC Marine maintenance and repair manuals offer the most comprehensive authoritative information available for outboard inboard stern drive and diesel engines as well as personal watercraft SELOC has been the leading source of how to information for the marine industry since 1974 Designed and written to serve the needs of the professional mechanic do it yourself boat enthusiast instructor and student these manuals are based on actual teardowns done by Chilton Marine s editors authors in our on site facility Providing complete coverage on everything from basic maintenance to engine overhaul every manual features Simple to follow step by step illustrated procedures Hundreds of exploded drawings photographs and tables Troubleshooting sections accurate specifications and wiring diagrams Recognized and used by technical trade schools as well as the U S military Covers Type 1 Alpha MR and Bravo I and II units powered by Ford and GM 4 cylinder in line 6 V6 and V8 engines Over 1 430 illustrations *MerCruiser Stern Drive Shop Manual* Alan Ahlstrand,Randy Stephens,1989 *MerCruiser Stern Drive Shop Manual* ,1989

MerCruiser Stern Drive Shop Manual 1995-1997 AlphaOne, Bravo One, Bravo Two & Bravo Three ,1997

When people should go to the books stores, search instigation by shop, shelf by shelf, it is essentially problematic. This is why we allow the books compilations in this website. It will enormously ease you to see guide **Mercruiser Alpha One Diagram** as you such as.

By searching the title, publisher, or authors of guide you really want, you can discover them rapidly. In the house, workplace, or perhaps in your method can be all best area within net connections. If you intend to download and install the Mercruiser Alpha One Diagram, it is completely easy then, back currently we extend the associate to buy and create bargains to download and install Mercruiser Alpha One Diagram consequently simple!

https://recruitmentslovakia.com/public/detail/default.aspx/Vespa_Gt200_2005_2009_Full_Service_Repair_Manual.pdf

Table of Contents Mercruiser Alpha One Diagram

1. Understanding the eBook Mercruiser Alpha One Diagram
 - The Rise of Digital Reading Mercruiser Alpha One Diagram
 - Advantages of eBooks Over Traditional Books
2. Identifying Mercruiser Alpha One Diagram
 - Exploring Different Genres
 - Considering Fiction vs. Non-Fiction
 - Determining Your Reading Goals
3. Choosing the Right eBook Platform
 - Popular eBook Platforms
 - Features to Look for in an Mercruiser Alpha One Diagram
 - User-Friendly Interface
4. Exploring eBook Recommendations from Mercruiser Alpha One Diagram
 - Personalized Recommendations
 - Mercruiser Alpha One Diagram User Reviews and Ratings
 - Mercruiser Alpha One Diagram and Bestseller Lists

5. Accessing Mer cruiser Alpha One Diagram Free and Paid eBooks
 - Mer cruiser Alpha One Diagram Public Domain eBooks
 - Mer cruiser Alpha One Diagram eBook Subscription Services
 - Mer cruiser Alpha One Diagram Budget-Friendly Options
6. Navigating Mer cruiser Alpha One Diagram eBook Formats
 - ePub, PDF, MOBI, and More
 - Mer cruiser Alpha One Diagram Compatibility with Devices
 - Mer cruiser Alpha One Diagram Enhanced eBook Features
7. Enhancing Your Reading Experience
 - Adjustable Fonts and Text Sizes of Mer cruiser Alpha One Diagram
 - Highlighting and Note-Taking Mer cruiser Alpha One Diagram
 - Interactive Elements Mer cruiser Alpha One Diagram
8. Staying Engaged with Mer cruiser Alpha One Diagram
 - Joining Online Reading Communities
 - Participating in Virtual Book Clubs
 - Following Authors and Publishers Mer cruiser Alpha One Diagram
9. Balancing eBooks and Physical Books Mer cruiser Alpha One Diagram
 - Benefits of a Digital Library
 - Creating a Diverse Reading Collection Mer cruiser Alpha One Diagram
10. Overcoming Reading Challenges
 - Dealing with Digital Eye Strain
 - Minimizing Distractions
 - Managing Screen Time
11. Cultivating a Reading Routine Mer cruiser Alpha One Diagram
 - Setting Reading Goals Mer cruiser Alpha One Diagram
 - Carving Out Dedicated Reading Time
12. Sourcing Reliable Information of Mer cruiser Alpha One Diagram
 - Fact-Checking eBook Content of Mer cruiser Alpha One Diagram
 - Distinguishing Credible Sources
13. Promoting Lifelong Learning

- Utilizing eBooks for Skill Development
 - Exploring Educational eBooks
14. Embracing eBook Trends
- Integration of Multimedia Elements
 - Interactive and Gamified eBooks

Mercruiser Alpha One Diagram Introduction

Mercruiser Alpha One Diagram Offers over 60,000 free eBooks, including many classics that are in the public domain. Open Library: Provides access to over 1 million free eBooks, including classic literature and contemporary works. Mercruiser Alpha One Diagram Offers a vast collection of books, some of which are available for free as PDF downloads, particularly older books in the public domain. Mercruiser Alpha One Diagram : This website hosts a vast collection of scientific articles, books, and textbooks. While it operates in a legal gray area due to copyright issues, its a popular resource for finding various publications. Internet Archive for Mercruiser Alpha One Diagram : Has an extensive collection of digital content, including books, articles, videos, and more. It has a massive library of free downloadable books. Free-eBooks Mercruiser Alpha One Diagram Offers a diverse range of free eBooks across various genres. Mercruiser Alpha One Diagram Focuses mainly on educational books, textbooks, and business books. It offers free PDF downloads for educational purposes. Mercruiser Alpha One Diagram Provides a large selection of free eBooks in different genres, which are available for download in various formats, including PDF. Finding specific Mercruiser Alpha One Diagram, especially related to Mercruiser Alpha One Diagram, might be challenging as theyre often artistic creations rather than practical blueprints. However, you can explore the following steps to search for or create your own Online Searches: Look for websites, forums, or blogs dedicated to Mercruiser Alpha One Diagram, Sometimes enthusiasts share their designs or concepts in PDF format. Books and Magazines Some Mercruiser Alpha One Diagram books or magazines might include. Look for these in online stores or libraries. Remember that while Mercruiser Alpha One Diagram, sharing copyrighted material without permission is not legal. Always ensure youre either creating your own or obtaining them from legitimate sources that allow sharing and downloading. Library Check if your local library offers eBook lending services. Many libraries have digital catalogs where you can borrow Mercruiser Alpha One Diagram eBooks for free, including popular titles. Online Retailers: Websites like Amazon, Google Books, or Apple Books often sell eBooks. Sometimes, authors or publishers offer promotions or free periods for certain books. Authors Website Occasionally, authors provide excerpts or short stories for free on their websites. While this might not be the Mercruiser Alpha One Diagram full book , it can give you a taste of the authors writing style. Subscription Services Platforms like Kindle Unlimited or Scribd offer subscription-based access to a wide range of Mercruiser Alpha One Diagram

eBooks, including some popular titles.

FAQs About Mercuriser Alpha One Diagram Books

1. Where can I buy Mercuriser Alpha One Diagram books? Bookstores: Physical bookstores like Barnes & Noble, Waterstones, and independent local stores. Online Retailers: Amazon, Book Depository, and various online bookstores offer a wide range of books in physical and digital formats.
2. What are the different book formats available? Hardcover: Sturdy and durable, usually more expensive. Paperback: Cheaper, lighter, and more portable than hardcovers. E-books: Digital books available for e-readers like Kindle or software like Apple Books, Kindle, and Google Play Books.
3. How do I choose a Mercuriser Alpha One Diagram book to read? Genres: Consider the genre you enjoy (fiction, non-fiction, mystery, sci-fi, etc.). Recommendations: Ask friends, join book clubs, or explore online reviews and recommendations. Author: If you like a particular author, you might enjoy more of their work.
4. How do I take care of Mercuriser Alpha One Diagram books? Storage: Keep them away from direct sunlight and in a dry environment. Handling: Avoid folding pages, use bookmarks, and handle them with clean hands. Cleaning: Gently dust the covers and pages occasionally.
5. Can I borrow books without buying them? Public Libraries: Local libraries offer a wide range of books for borrowing. Book Swaps: Community book exchanges or online platforms where people exchange books.
6. How can I track my reading progress or manage my book collection? Book Tracking Apps: Goodreads, LibraryThing, and Book Catalogue are popular apps for tracking your reading progress and managing book collections. Spreadsheets: You can create your own spreadsheet to track books read, ratings, and other details.
7. What are Mercuriser Alpha One Diagram audiobooks, and where can I find them? Audiobooks: Audio recordings of books, perfect for listening while commuting or multitasking. Platforms: Audible, LibriVox, and Google Play Books offer a wide selection of audiobooks.
8. How do I support authors or the book industry? Buy Books: Purchase books from authors or independent bookstores. Reviews: Leave reviews on platforms like Goodreads or Amazon. Promotion: Share your favorite books on social media or recommend them to friends.
9. Are there book clubs or reading communities I can join? Local Clubs: Check for local book clubs in libraries or community centers. Online Communities: Platforms like Goodreads have virtual book clubs and discussion groups.

10. Can I read Mercury Alpha One Diagram books for free? Public Domain Books: Many classic books are available for free as they're in the public domain. Free E-books: Some websites offer free e-books legally, like Project Gutenberg or Open Library.

Find Mercury Alpha One Diagram :

[vespa gt200 2005 2009 full service repair manual](#)

manual boat lift winch

[fishermans winter](#)

[aquasana consumer filter house report water whole](#)

1996 seadoo xp operator manual

[how to lessen misunderstandings](#)

1 000 artist journal pages personal pages and inspirations dawn devries sokol

labyrinths walking toward the center

manual da hp officejet 4500 desktop

[biology hl november 2013 markscheme](#)

1 000 days the ministry of christ

modern biology study guide answer key 8 2

[aprilair thermoatat model 8346 manual](#)

manual nintendo dsi xl portugues

[les-cracirenes-de-lumiegravere](#)

Mercury Alpha One Diagram :

[the application of content analysis in nursing science research](#) - Mar 15 2023

web summary this book provides principles on content analysis and its application into development of nursing theory it offers clear guidance to students lecturers and researchers to gain a deeper understanding of the method of content analysis its implementation into their own research and criteria of trustworthiness evaluation

the application of content analysis in nursing sc pdf uniport edu - Mar 03 2022

web aug 2 2023 the application of content analysis in nursing sc 1 13 downloaded from uniport edu ng on august 2 2023 by guest the application of content analysis in nursing sc yeah reviewing a books the application of content analysis in nursing

sc could increase your close connections listings this is just one of the solutions for you to

the application of content analysis in nursing science research - Aug 20 2023

web the application of content analysis in nursing science research tldr practice theory which is often used instead of microtheory or situation specific theory is the least complex and most specific type of theory evident in nursing research and

the application of content analysis in nursing sc - Nov 11 2022

web citations divided into two parts this book explores the application of content analysis into nursing science the first part presents the philosophical position of content analysis inductive and deductive methods of using content analysis

trustworthiness of the method and ethical consideration of using content analysis

the application of content analysis in nursing sc 2022 - Jun 06 2022

web content analysis a methodology for structuring and analyzing written material networked content analysis the case of climate change content analysis in communication research the sage encyclopedia of communication research methods

machine learning for multimedia content analysis microcomputer applications in

the application of content analysis in nursing sc pdf - Oct 10 2022

web the application of content analysis in nursing science research content analysis a methodology for structuring and analyzing written material machine learning for multimedia content analysis

the application of content analysis in nursing science research - Jul 19 2023

web jan 1 2020 divided into two parts this book explores the application of content analysis into nursing science the first part presents the philosophical position of content analysis inductive and deductive

the application of content analysis in nursing science research - Sep 21 2023

web in this field to develop evidence based nursing education and nursing leadership practices as well as to develop and test nursing theories

the application of content analysis in nursing science research - Oct 22 2023

web this book provides principles on content analysis and its application into development of nursing theory it offers clear guidance to students lecturers and researchers to gain a deeper understanding of the method of content analysis its

implementation into their own research and criteria of trustworthiness evaluation

2105 07189 content analysis application in nursing a synthetic - Feb 14 2023

web may 15 2021 method synthetic content analysis was used in our meta study results and discussion our meta study showed that content analysis is frequently used in nursing research in a very wide spectrum of applications the trend of its

use is positive and it is used globally in a variety of research settings

pdf content analysis concepts methods and applications content - Jan 13 2023

web may 1 1997 content analysis concepts methods and applications content analysis is a flexible methodology that is particularly useful to nurse researchers asserts stephen cavanagh

the application of content analysis in nursing sc pdf - Sep 09 2022

web the application of content analysis in nursing science research content analysis content analysis qualitative researching with text image and sound the order of things content analysis on evaluating curricular effectiveness an introduction to statistical learning introduction to educational research machine learning for

content analysis application in nursing a - Apr 16 2023

web meta study in which we used synthetic content analysis to analyse the scope of application of content analysis in nursing thus our aim was to identify the descriptive and spatial bibliometric patterns like trends most prolific countries institutions source titles and themes 2 methodology

content analysis process and application semantic scholar - Dec 12 2022

web in this paper content analysis is defined and the basic principles of this research technique are discussed and an example is provided which demonstrates the application of this strategy for developing clinical nursing knowledge in a critical care setting content analysis is a research method for analyzing written verbal or visual communication

the application of content analysis in nursing sc pdf - May 05 2022

web aug 29 2023 the application of content analysis in nursing sc 1 13 downloaded from uniport edu ng on august 29 2023 by guest the application of content analysis in nursing sc as recognized adventure as capably as experience nearly lesson amusement as capably as accord can

the application of content analysis in nursing science research - Jun 18 2023

web nov 14 2019 this book provides principles on content analysis and its application into development of nursing theory it offers clear guidance to students lecturers and researchers to gain a deeper understanding of the method of content analysis its implementation into their own research and criteria of trustworthiness evaluation

through the eyes of nurses a content analysis of nurses - May 17 2023

web nov 15 2023 study design this study was conducted as a qualitative investigation employing the qualitative content analysis approach this approach which is commonly utilized in nursing science research is well suited for extracting meaning and comprehending the lived experiences of study participants the study data was

the application of content analysis in nursing sc stage gapinc - Jul 07 2022

web the application of content analysis in nursing science research basic content analysis introduction to educational research research methods in politics management research qualitative content analysis in practice tv content analysis innovations and technologies for soft skill development and learning content analysis

the application of content analysis in nursing sc 2022 - Aug 08 2022

web the application of content analysis in nursing sc basic content analysis content analysis qualitative comparative analysis integrating analyses in mixed methods research networked content analysis the case of climate change content analysis the sage handbook of qualitative data analysis research methods in politics

the application of content analysis in nursing sc - Apr 04 2022

web guest 2 11 the application of content analysis in nursing sc the ethic of care a moral compass for canadian nursing practice revised edition wright leahey s nurses and families resources in education user driven healthcare concepts methodologies tools and applications applied qualitative research design current bibliographies in medicine

informations concours 2021 sciences po grenoble - May 01 2023

web sciences po grenoble analyse actuellement les conséquences de la persistance d une situation sanitaire fortement dégradée sur sa capacité à organiser un concours

réussir le concours de sciences po grenoble pge pgo - Jul 23 2022

web nov 7 2022 réussir le concours sciences po grenoble 07 11 2022 5 minutes de lecture avec sciences po paris et sciences po bordeaux sciences po grenoble fait

concours sciences po concours commun grenoble 202 copy - Jan 17 2022

web mar 23 2023 concours sciences po concours commun grenoble 202 1 8 downloaded from uniport edu ng on march 23 2023 by guest concours sciences po concours

concours sciences po concours commun grenoble 202 - Nov 14 2021

web sep 11 2023 concours sciences po concours commun grenoble 202 1 7 downloaded from uniport edu ng on september 11 2023 by guest concours sciences po concours

pages sciences po grenoble - Jan 29 2023

web contact 33 0 4 76 82 60 02 contact infoconcours sciencespo grenoble fr

entrer à sciences po grenoble sciences po grenoble - Aug 04 2023

web les inscriptions au concours d entrée en 5ème année formation continue il est possible d intégrer sciences po grenoble directement en 5 ème année uniquement pour les

concours sciences po concours commun grenoble 202 pdf - Feb 15 2022

web may 12 2023 computer concours sciences po concours commun grenoble 202 is affable in our digital library an online entry to it is set as public hence you can download it

guide du candidat de la candidate au concours sciences po - Feb 27 2023

web sciences po grenoble uga organise depuis la session 2021 un concours d entrée en 1ère année sur dossier avec ce

recrutement sans épreuves écrites sciences po

concours sciences po concours commun grenoble 202 pdf - Dec 16 2021

web may 8 2023 concours sciences po concours commun grenoble 202 1 5 downloaded from uniport edu ng on may 8 2023

by guest concours sciences po concours

conditions d admission concours première année 2022 - Dec 28 2022

web depuis 2020 sciences po grenoble est entré dans la plateforme d admission de l enseignement supérieur dénommée

parcoursup les candidates et candidats au

suivez nous - Sep 24 2022

web le concours d entrée en première année est commun aux instituts d aix en provence lille lyon rennes saint germain en

laye strasbourg et toulouse il permet de

reseau scpo concours commun 2023 les sujets - Oct 06 2023

web apr 21 2023 les sujets des épreuves du concours commun organisé le samedi 22 avril 2023 sont publiés ici au fur et à

mesure du déroulement des épreuves dans le respect

concours d entrée en première année 2020 sciences po grenoble - Nov 26 2022

web mar 30 2020 message à l attention des candidates et des candidats au concours d entrée en première année à sciences

po grenoble 2020 la crise sanitaire sans

concours commun sciences po iep facebook - Oct 26 2022

web groupe à destination des candidats au concours commun des iep et aux concours de sciences po grenoble sciences po

paris et sciences po bordeaux

reseau scpo concours commun 2024 date et thèmes dévoilés - Sep 05 2023

web publié le 7 juillet 2023 accueil concours commun 2024 date et thèmes dévoilés le concours d entrée en première année

dans l un des 7 sciences po du réseau aura lieu

concours sciences po concours commun grenoble 202 2023 - Apr 19 2022

web 2 concours sciences po concours commun grenoble 202 2021 11 27 soixante fiches permettant au candidat de faire le

point sur les connaissances et les grands débats

tremplin concours sciences po tout en un 2024 fnac - May 21 2022

web concours commun iep paris bordeaux grenoble 2024 tremplin concours sciences po tout en un 2024 florent vandepitte

pierre emmanuel guigo judith leverbe

concours d entrée en 1ère année sciences po grenoble - Jul 03 2023

web l oral aura lieu en ligne entre la fin du mois d avril et le milieu du mois de mai les candidates et candidats admissibles

seront prévenus et convoqués via la plateforme

reseau scpo concours commun 2024 les modalités d admission - Jun 02 2023

web alors que l admission en 1ère année pour 2023 dans les sciences po du réseau scpo est presque terminée le concours commun 2024 est déjà en préparation désormais

comment et pourquoi intégrer sciences po grenoble en 2021 - Aug 24 2022

web chaque année 2 000 candidats se présentent au concours d entrée à sciences po grenoble seulement 250 auront la chance d être admis cet iep sélectionne les

concours sciences po concours commun grenoble 202 pdf - Mar 19 2022

web jul 27 2023 concours sciences po concours commun grenoble 202 1 5 downloaded from uniport edu ng on july 27 2023 by guest concours sciences po concours

préparation des concours 2024 pour les futurs bacheliers - Jun 21 2022

web 1ère session de prépa concours commun octobre à janvier 620 h t soit 744 ttc permet de suivre la première moitié de la prépa annuelle 2ème session de prépa

reseau scpo concours commun 2023 les modalités - Mar 31 2023

web alors que l admission en 1ère année pour 2022 dans les sciences po du réseau scpo est presque terminée le concours commun 2023 est déjà en préparation nous remettons

watch sisters netflix official site - Apr 13 2023

web her dad s deathbed confession leads julia to discover she has more than 100 brothers and two sisters troubled tv star roxy and uptight lawyer edie watch trailers learn more

sisters e01 poles apart ft ahsaas channa namita dubey youtube - Aug 17 2023

web sep 20 2022 sisters e01 poles apart ft ahsaas channa namita dubey girliyapa we all have heard that opposites attract each other but what happens when mahi and antara sisters who are poles apart

why sisters have the greatest love of all bbc culture - May 14 2023

web mar 5 2020 why sisters have the greatest love of all image credit alamy by natasha tripney 5th march 2020 the bond between female siblings has never been a more potent subject for dramatists with hits

sisters 2015 imdb - Jun 15 2023

web dec 18 2015 sisters directed by jason moore with amy poehler tina fey maya rudolph ike barinholtz two sisters decide to throw one last house party before their parents sell their family home

sisters islands marine park national parks board - Sep 18 2023

web the sisters islands marine park which spans about 40 hectares around sisters islands and along the western reefs of both

st john s island and pulau tekukor will be a platform for outreach educational conservation and research activities related

50 sister quotes that will make you want to call her parade - Oct 19 2023

web aug 6 2023 share these 50 short quotes about sisters and their family bond some are funny some show love but they re all meaningful for big or little sisters

sisters island singapore island cruise - Jul 16 2023

web the sisters islands marine park will protect singapore s coral reefs which support an ecosystem inhabited by rare and endangered species of seahorses clams sponges and other marine life more than 250 species of hard corals can be found in singapore s waters out of over 500 species within the region being located in close proximity

sisters 2015 film wikipedia - Mar 12 2023

web sisters is a 2015 american comedy film directed by jason moore written by paula pell and is the second collaboration between tina fey and amy poehler following the film baby mama 2008 the rest of the cast consists of maya rudolph ike barinholtz james brolin john cena john leguizamo bobby moynihan and dianne wiest

sister definition usage examples dictionary com - Jan 10 2023

web sister definition see examples of sister used in a sentence

sisters rotten tomatoes - Feb 11 2023

web rotten tomatoes gift cards what to watch in theaters streaming when their parents decide to sell their home siblings maura amy poehler and kate tina fey learn that they have one