

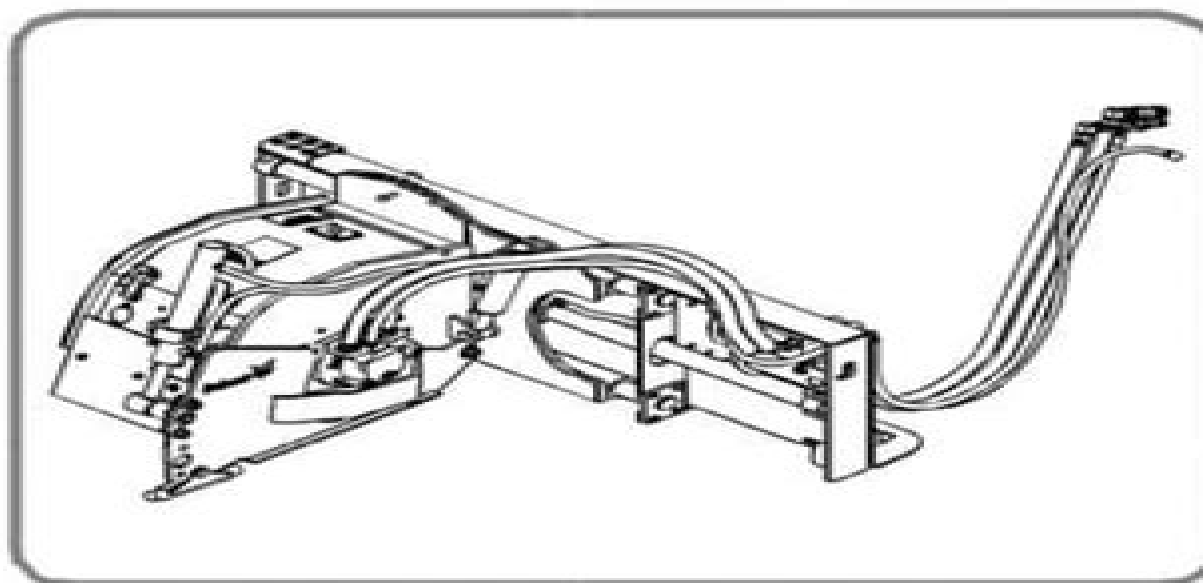


Bobcat®

Service Manual Planer

(14 Planer) S/N 231200101 & Above
(18 Hyd Planer) S/N 231611101 & Above
(24 Hyd Planer) S/N 231711101 & Above

(Surface Planer) S/N 231100101 & Above
(40 Hyd Planer) S/N 991400101 & Above
(Curb Planer) S/N 234000101 & Above



Dealer Copy -- Not for Resale



Manual Bobcat 40 Hydraulic Planer

A Gutmann



Manual Bobcat 40 Hydraulic Planer:

Public Works Manual ,1989 ENR ,2000 Engineering News and American Contract Journal ,2000 **Farmers and Consumers Market Bulletin** ,2011 *The Southern Lumberman* ,1978 *The Timber Producer* ,1978 Canadian Forest Industries ,1984 **Foundry Management & Technology** ,1993 *Timber Producers Association of Michigan and Wisconsin. Bulletin* ,1979 Wisconsin Wood Marketing Bulletin ,1999 **Prairie Farmer** ,1985 *Bobcat Hydraulics Manual* ,1992

Discover tales of courage and bravery in Crafted by is empowering ebook, **Manual Bobcat 40 Hydraulic Planer** . In a downloadable PDF format (PDF Size: *), this collection inspires and motivates. Download now to witness the indomitable spirit of those who dared to be brave.

https://recruitmentslovakia.com/files/book-search/fetch.php/Science_Grade_9_Exam_Papers_South_Africa.pdf

Table of Contents Manual Bobcat 40 Hydraulic Planer

1. Understanding the eBook Manual Bobcat 40 Hydraulic Planer
 - The Rise of Digital Reading Manual Bobcat 40 Hydraulic Planer
 - Advantages of eBooks Over Traditional Books
2. Identifying Manual Bobcat 40 Hydraulic Planer
 - Exploring Different Genres
 - Considering Fiction vs. Non-Fiction
 - Determining Your Reading Goals
3. Choosing the Right eBook Platform
 - Popular eBook Platforms
 - Features to Look for in an Manual Bobcat 40 Hydraulic Planer
 - User-Friendly Interface
4. Exploring eBook Recommendations from Manual Bobcat 40 Hydraulic Planer
 - Personalized Recommendations
 - Manual Bobcat 40 Hydraulic Planer User Reviews and Ratings
 - Manual Bobcat 40 Hydraulic Planer and Bestseller Lists
5. Accessing Manual Bobcat 40 Hydraulic Planer Free and Paid eBooks
 - Manual Bobcat 40 Hydraulic Planer Public Domain eBooks
 - Manual Bobcat 40 Hydraulic Planer eBook Subscription Services
 - Manual Bobcat 40 Hydraulic Planer Budget-Friendly Options
6. Navigating Manual Bobcat 40 Hydraulic Planer eBook Formats

- ePub, PDF, MOBI, and More
 - Manual Bobcat 40 Hydraulic Planer Compatibility with Devices
 - Manual Bobcat 40 Hydraulic Planer Enhanced eBook Features
7. Enhancing Your Reading Experience
 - Adjustable Fonts and Text Sizes of Manual Bobcat 40 Hydraulic Planer
 - Highlighting and Note-Taking Manual Bobcat 40 Hydraulic Planer
 - Interactive Elements Manual Bobcat 40 Hydraulic Planer
 8. Staying Engaged with Manual Bobcat 40 Hydraulic Planer
 - Joining Online Reading Communities
 - Participating in Virtual Book Clubs
 - Following Authors and Publishers Manual Bobcat 40 Hydraulic Planer
 9. Balancing eBooks and Physical Books Manual Bobcat 40 Hydraulic Planer
 - Benefits of a Digital Library
 - Creating a Diverse Reading Collection Manual Bobcat 40 Hydraulic Planer
 10. Overcoming Reading Challenges
 - Dealing with Digital Eye Strain
 - Minimizing Distractions
 - Managing Screen Time
 11. Cultivating a Reading Routine Manual Bobcat 40 Hydraulic Planer
 - Setting Reading Goals Manual Bobcat 40 Hydraulic Planer
 - Carving Out Dedicated Reading Time
 12. Sourcing Reliable Information of Manual Bobcat 40 Hydraulic Planer
 - Fact-Checking eBook Content of Manual Bobcat 40 Hydraulic Planer
 - Distinguishing Credible Sources
 13. Promoting Lifelong Learning
 - Utilizing eBooks for Skill Development
 - Exploring Educational eBooks
 14. Embracing eBook Trends
 - Integration of Multimedia Elements
 - Interactive and Gamified eBooks

Manual Bobcat 40 Hydraulic Planer Introduction

In today's digital age, the availability of Manual Bobcat 40 Hydraulic Planer books and manuals for download has revolutionized the way we access information. Gone are the days of physically flipping through pages and carrying heavy textbooks or manuals. With just a few clicks, we can now access a wealth of knowledge from the comfort of our own homes or on the go. This article will explore the advantages of Manual Bobcat 40 Hydraulic Planer books and manuals for download, along with some popular platforms that offer these resources. One of the significant advantages of Manual Bobcat 40 Hydraulic Planer books and manuals for download is the cost-saving aspect. Traditional books and manuals can be costly, especially if you need to purchase several of them for educational or professional purposes. By accessing Manual Bobcat 40 Hydraulic Planer versions, you eliminate the need to spend money on physical copies. This not only saves you money but also reduces the environmental impact associated with book production and transportation. Furthermore, Manual Bobcat 40 Hydraulic Planer books and manuals for download are incredibly convenient. With just a computer or smartphone and an internet connection, you can access a vast library of resources on any subject imaginable. Whether you're a student looking for textbooks, a professional seeking industry-specific manuals, or someone interested in self-improvement, these digital resources provide an efficient and accessible means of acquiring knowledge. Moreover, PDF books and manuals offer a range of benefits compared to other digital formats. PDF files are designed to retain their formatting regardless of the device used to open them. This ensures that the content appears exactly as intended by the author, with no loss of formatting or missing graphics. Additionally, PDF files can be easily annotated, bookmarked, and searched for specific terms, making them highly practical for studying or referencing. When it comes to accessing Manual Bobcat 40 Hydraulic Planer books and manuals, several platforms offer an extensive collection of resources. One such platform is Project Gutenberg, a nonprofit organization that provides over 60,000 free eBooks. These books are primarily in the public domain, meaning they can be freely distributed and downloaded. Project Gutenberg offers a wide range of classic literature, making it an excellent resource for literature enthusiasts. Another popular platform for Manual Bobcat 40 Hydraulic Planer books and manuals is Open Library. Open Library is an initiative of the Internet Archive, a non-profit organization dedicated to digitizing cultural artifacts and making them accessible to the public. Open Library hosts millions of books, including both public domain works and contemporary titles. It also allows users to borrow digital copies of certain books for a limited period, similar to a library lending system. Additionally, many universities and educational institutions have their own digital libraries that provide free access to PDF books and manuals. These libraries often offer academic texts, research papers, and technical manuals, making them invaluable resources for students and researchers. Some notable examples include MIT OpenCourseWare, which offers free access to course materials from the Massachusetts Institute of Technology, and the Digital Public Library of America, which provides a vast collection of digitized books and historical documents. In conclusion, Manual Bobcat 40

Hydraulic Planer books and manuals for download have transformed the way we access information. They provide a cost-effective and convenient means of acquiring knowledge, offering the ability to access a vast library of resources at our fingertips. With platforms like Project Gutenberg, Open Library, and various digital libraries offered by educational institutions, we have access to an ever-expanding collection of books and manuals. Whether for educational, professional, or personal purposes, these digital resources serve as valuable tools for continuous learning and self-improvement. So why not take advantage of the vast world of Manual Bobcat 40 Hydraulic Planer books and manuals for download and embark on your journey of knowledge?

FAQs About Manual Bobcat 40 Hydraulic Planer Books

What is a Manual Bobcat 40 Hydraulic Planer PDF? A PDF (Portable Document Format) is a file format developed by Adobe that preserves the layout and formatting of a document, regardless of the software, hardware, or operating system used to view or print it. **How do I create a Manual Bobcat 40 Hydraulic Planer PDF?** There are several ways to create a PDF: Use software like Adobe Acrobat, Microsoft Word, or Google Docs, which often have built-in PDF creation tools. Print to PDF: Many applications and operating systems have a "Print to PDF" option that allows you to save a document as a PDF file instead of printing it on paper. Online converters: There are various online tools that can convert different file types to PDF. **How do I edit a Manual Bobcat 40 Hydraulic Planer PDF?** Editing a PDF can be done with software like Adobe Acrobat, which allows direct editing of text, images, and other elements within the PDF. Some free tools, like PDFescape or Smallpdf, also offer basic editing capabilities. **How do I convert a Manual Bobcat 40 Hydraulic Planer PDF to another file format?** There are multiple ways to convert a PDF to another format: Use online converters like Smallpdf, Zamzar, or Adobe Acrobats export feature to convert PDFs to formats like Word, Excel, JPEG, etc. Software like Adobe Acrobat, Microsoft Word, or other PDF editors may have options to export or save PDFs in different formats. **How do I password-protect a Manual Bobcat 40 Hydraulic Planer PDF?** Most PDF editing software allows you to add password protection. In Adobe Acrobat, for instance, you can go to "File" -> "Properties" -> "Security" to set a password to restrict access or editing capabilities. Are there any free alternatives to Adobe Acrobat for working with PDFs? Yes, there are many free alternatives for working with PDFs, such as: LibreOffice: Offers PDF editing features. PDFsam: Allows splitting, merging, and editing PDFs. Foxit Reader: Provides basic PDF viewing and editing capabilities. How do I compress a PDF file? You can use online tools like Smallpdf, ILovePDF, or desktop software like Adobe Acrobat to compress PDF files without significant quality loss. Compression reduces the file size, making it easier to share and download. Can I fill out forms in a PDF file? Yes, most PDF viewers/editors like Adobe Acrobat, Preview (on Mac), or various online tools allow you to fill out forms in PDF files by

selecting text fields and entering information. Are there any restrictions when working with PDFs? Some PDFs might have restrictions set by their creator, such as password protection, editing restrictions, or print restrictions. Breaking these restrictions might require specific software or tools, which may or may not be legal depending on the circumstances and local laws.

Find Manual Bobcat 40 Hydraulic Planer :

[science grade 9 exam papers south africa](#)

[section chromosomes holt biology answers](#)

[scope for paper 1 physics grade10 final exam](#)

[scope for paper 2 math final exam](#)

[seadoo 580 spi](#)

[segment one fitness test](#)

[scoop for georaphy paper 1 grade 12 june exam](#)

[scroll saw patterns](#)

[section2 reinforcement how elements bond](#)

[section 5 3 electron configuration worksheet with answers](#)

[section 17 1 review biodiversity answer key](#)

[scope for e m s exam 2014 grade 9](#)

[section 4 multiplying polynomials answer key](#)

[section 8 1 formation of solutions answer key](#)

[scop for life science p1 november 2014 grade10](#)

Manual Bobcat 40 Hydraulic Planer :

engineering mechanics dynamics solutions manual 5 ed - Jan 07 2023

web may 6 2015 chapter 12 solution manual engineering mechanics dynamics 12th edition 1 kinematics and ans ans t 26 7 s
15 0 0 5625t a b v v 0 a c

[solutions manual engineering mechanics dynamics 7th](#) - May 31 2022

web download engineering mechanics dynamics meriam 7th edition solution manual free in pdf format

[solutions for engineering mechanics dynamics 14th numerade](#) - Feb 08 2023

web jun 14 2021 download geniustudies com p 373 solutions manual engineering mechanics dynamics 14th edition by russell c hibbeler

[engineering mechanics dynamics 7th edition j l meriam l](#) - Nov 05 2022

web 1 kinematics and ans ans t 26 7 s 15 0 0 5625t a b v v0 act ac 0 5625 m s2 152 02 2ac 200 0 a b v2 v0 2 2ac s s0 s 200 ms0 0v 15

pdf solutions manual dynamics for engineers researchgate - Feb 25 2022

chapter 12 solution manual engineering mechanics dynamics - Sep 03 2022

web 396000005 solution manual for system dynamics for engineering students nicolae lobontiu pdf free download as pdf file pdf text file txt or read online for free

[solution manual for system dynamics for engineering students](#) - Apr 29 2022

web to the instructor we have prepared this solutions manual to serve as an aid to instructors using the text dynamics for engineers by b b muvdi a w ai khafaji and j w

[engineering dynamics fundamentals and applications](#) - Mar 09 2023

web sign in engineering mechanics dynamics 7th edition j l meriam l g kraige pdf google drive sign in

[engineering dynamics solution manual 11th edition](#) - Apr 10 2023

web solution a v vf dv 0 01s m s2 ds v dv 0 01 12 v2 2 420 s ds 100 vf 0 01 12 m s vf2 2 s2 2 420 m 100 m 122 4202 1002 0 01 2 2 vf 42 5 m s problem 13 53 engineers

solutions manual researchgate - Dec 26 2021

solution manual engineering mechanics dynamics 7th edition - Nov 24 2021

engineering dynamics solution manual chegg com - Aug 14 2023

web get instant access to our step by step engineering dynamics solutions manual our solution manuals are written by chegg experts so you can be assured of the highest

solutions manual dynamics all chapters 12th edition - Jul 01 2022

web jan 1 1997 pdf on jan 1 1997 amir w al khafaji and others published solutions manual dynamics for engineers find read and cite all the research you need on

pdf engineering mechanics dynamics - Jun 12 2023

web includes a solutions manual and powerpoint slides for adopting instructors engineering dynamics fundamentals and

applications serves as a useful resource for students

engineering mechanics dynamics meriam 7th edition solution - Jan 27 2022

[solutions manual for engineering mechanics dynamics 14th](#) - Aug 02 2022

web download view engineering mechanics dynamics solution manual 6th pdf as pdf for free more details words 3 424 pages 214 preview full text related documents more

solutions manual engineering mechanics dynamics 14th edition - Oct 04 2022

web aug 24 2014 solutions manual an introduction to thermodynamics and statistical mechanics 2nd ed keith stowe solutions manual an introduction to wavelets

solution manual for engineering mechanics - May 11 2023

web step by step video answers explanations by expert educators for all engineering mechanics dynamics 14th by r c hibbeler only on numerade com

engineering mechanics dynamics solution manual 6th pdf - Mar 29 2022

web sep 7 2017 get solution manual engineering mechanics dynamics 7th edition pdf file for fre solution manual engineering mechanics dynamics 7th edition

[engineering mechanics dynamics solutions manual pdfdrive](#) - Jul 13 2023

web engineering mechanics dynamics solutions manual pdfdrive advertisement instructor s manual to accompany engineering mechanics dynamics

[instructors solution manual for engineering](#) - Dec 06 2022

web jul 15 2018 solutions manual for engineering mechanics dynamics 14th edition by hibbeler ibsn 9780134116990 full download

workbook on cointegration peter reinhard hansen søren - Feb 14 2023

web this workbook consists of exercises taken from likelihood based inferences in cointegrated vector autoregressive models by soren johansen together with worked out solutions

cointegration and representation of integrated variables workbook - Feb 02 2022

web hansen peter reinhard and søren johansen cointegration and representation of integrated variables workbook on cointegration oxford 1998 online edn oxford academic 31 oct 2023 doi org 10 1093 oso 9780198776086 003 0004 accessed 16

cointegration definition examples top 3 methods - May 05 2022

web explanation history examples of cointegration methods of cointegration 1 engle granger two step method 2 johansen test

3 philip ouliaris test condition of cointegration recommended articles

[introduction workbook on cointegration oxford academic](#) - Aug 20 2023

web the exercises presented with solutions in this workbook treat the theory of cointegration in the framework of the vector autoregressive model as an introduction we give a brief summary of the most important results from the theory as presented in sj

workbook on cointegration advanced texts in econometrics - Jun 06 2022

web dec 17 1998 workbook on cointegration advanced texts in econometrics kindle edition by hansen peter reinhard søren johansen download it once and read it on your kindle device pc phones or tablets use features like bookmarks note taking and highlighting while reading workbook on cointegration advanced texts in econometrics

[workbook on cointegration by peter reinhard hansen](#) - Nov 11 2022

web sep 17 1998 this workbook is a companion to the textbook likelihood based inference in cointegrated vector autoregressive models the workbook contains exercises and solutions concerned with the theory of cointegration in the vector autoregressive model

[workbook on cointegration advanced texts in econometrics](#) - Jul 19 2023

web feb 18 1999 description this workbook consists of exercises taken from likelihood based inferences in cointegrated vector autoregressive models by soren johansen together with worked out solutions about the series

workbook on cointegration semantic scholar - May 17 2023

web the workbook contains exercises and solutions concerned with the theory of cointegration in the vector autoregressive model the main text has been used for courses on cointegration and many of the exercises have been posed as either training exercises or exam questions

workbook on cointegration google books - Sep 21 2023

web peter reinhard hansen søren johansen oxford university press 1998 business economics 160 pages this workbook consists of exercises taken from likelihood based inferences in cointegrated

what is cointegration definition methods and examples - Apr 04 2022

web jul 21 2022 cointegration is data testing that finds if there s a relationship between two or more time related series a time related series is several data points where one measurement is time for example the number of automobile purchases by demographic from 1960 to the present it s an important tool for professionals who work with long run

workbook on cointegration advanced texts in econometrics - Apr 16 2023

web dec 17 1998 paperback 52 69 70 77 other new and used from 52 69 this workbook consists of exercises taken from likelihood based inferences in cointegrated vector autoregressive models by soren johansen together with worked out

solutions about the series

[workbook on cointegration by peter reinhard hansen open](#) - Dec 12 2022

web sep 13 2021 [workbook on cointegration by peter reinhard hansen 1998 oxford university press edition in english](#)

workbook on cointegration alibris - Aug 08 2022

web buy [workbook on cointegration by peter reinhard hansen s ren johansen online at alibris](#) we have new and used copies available in 1 editions starting at 129 43 shop now

[workbook on cointegration ideas repec](#) - Jan 13 2023

web [workbook on cointegration author abstract](#) this workbook is a companion to the textbook likelihood based inference in cointegrated vector autoregressive suggested citation hansen peter reinhard johansen soren 1998

workbook on cointegration advanced texts in econometrics - Sep 09 2022

web [abebooks com workbook on cointegration advanced texts in econometrics 9780198776086 by hansen peter reinhard johansen soren](#) and a great selection of similar new used and collectible books available now at great prices

the asymptotic distribution of the test for cointegrating rank - Nov 30 2021

web [hansen peter reinhard and soren johansen the asymptotic distribution of the test for cointegrating rank workbook on cointegration oxford 1998 online edn oxford academic 31 oct 2023 doi org 10 1093 oso 9780198776086 003 0011](#) accessed 19

workbook on cointegration paperback oxford university press - Oct 22 2023

web dec 17 1998 [this workbook consists of exercises taken from likelihood based inferences in cointegrated vector autoregressive models by soren johansen together with worked out solutions about the series](#) advanced texts in econometrics is a distinguished and rapidly expanding series in which leading econometricians assess recent developments in

workbook on cointegration hardback peter reinhard hansen - Mar 15 2023

web [this workbook is a companion to the textbook likelihood based inference in cointegrated vector autoregressive models also published by oxford university press the workbook contains exercises and solutions concerned with the theory of cointegration in the vector autoregressive model](#)

preface workbook on cointegration oxford academic - Jun 18 2023

web [hansen peter reinhard and soren johansen preface workbook on cointegration oxford 1998 online edn oxford academic 31 oct 2023 doi org 10 1093 oso 9780198776086 002 0002](#) accessed 16 nov 2023

[cointegration definition examples tests statistics how to](#) - Mar 03 2022

web [tests for cointegration identify stable long run relationships between sets of variables however rao 2007 notes that if the test fails to find such a relationship it isn t proof that one doesn t exists it only suggests that one doesn t exist three of the](#)

most popular tests are engle granger phillips ouliaris

workbook on cointegration by peter reinhard hansen goodreads - Jul 07 2022

web this workbook consists of exercises taken from likelihood based inferences in cointegrated vector autoregressive models by soren johansen together with worked out solutions about the series

hypothesis testing for a workbook on cointegration oxford - Jan 01 2022

web hansen peter reinhard and søren johansen hypothesis testing for a workbook on cointegration oxford 1998 online edn oxford academic 31 oct 2023 doi org 10 1093 oso 9780198776086 003 0008 accessed 19 nov 2023

workbook on cointegration advanced texts in econometrics - Oct 10 2022

web apr 4 2002 the workbook contains exercises and solutions concerned with the theory of cointegration in the vector autoregressive model the main text has been used for courses on cointegration and many of the exercises have been posed as either training exercises or exam questions

partisanenkrieg heute lehren aus dem freiheitskam pdf - Jun 23 2022

web partisanenkrieg heute lehren aus dem freiheitskam 1 7 downloaded from uniport edu ng on november 3 2023 by guest

partisanenkrieg heute lehren aus dem freiheitskam

partisanenkrieg heute lehren aus dem freiheitskam pdf - Jan 19 2022

web jan 21 2023 4731895 partisanenkrieg heute lehren aus dem freiheitskam 1 9 downloaded from help frey com on by guest partisanenkrieg heute lehren aus dem

partisanenkrieg wikipedia - Dec 30 2022

web partisanenkrieg partisanenkrieg bezeichnet asymmetrische kriegführung partisan partisanenbekämpfung im zweiten weltkrieg der partisanenkrieg buch von

partisanenkrieg heute lehren aus dem freiheitskam 2023 - May 23 2022

web der erste teil des werkes ist interdisziplinär angelegt und es werden verschiedene kriegstheorien dargestellt von anthropologischen bis hin zu religiösen ansätzen der

free partisanenkrieg heute lehren aus dem freiheitskam - Apr 02 2023

web partisanenkrieg heute lehren aus dem freiheitskam real encyclopädie des judentums talmud und midrasch oct 06 2020 sämtliche heilige reden über

partisanenkrieg heute lehren aus dem freiheitskam pdf old vulkk - Jun 04 2023

web partisanenkrieg heute lehren aus dem freiheitskam 3 3 future of international law this book will be of important to students of political science international relations war and

partisanenkrieg heute lehren aus dem freiheitskam - Nov 16 2021

web partisanenkrieg heute lehren aus dem freiheitskam 3 5 downloaded from uniport edu ng on may 19 2023 by guest
symmetrische konfliktentwicklung in der asymmetrischen

partisanenkrieg heute lehren aus dem freiheitskam copy - Oct 28 2022

web partisanenkrieg heute lehren aus dem freiheitskam allgemeiner anzeiger und nationalzeitung der deutschen apr 04 2021
magdeburgische zeitung dec 25 2022

partisanenkrieg heute lehren aus dem freiheitskam pdf - May 03 2023

web this partisanenkrieg heute lehren aus dem freiheitskam but end up in malicious downloads rather than reading a good
book with a cup of tea in the afternoon instead

partisanenkrieg heute lehren aus dem freiheitskam pdf - Jan 31 2023

web apr 16 2023 kindly say the partisanenkrieg heute lehren aus dem freiheitskam is universally compatible with any
devices to read staatslexikon 1970 bibliography of

partisanenkrieg 1 kreuzworträtsel lösung mit 8 buchstaben - Jul 25 2022

web kreuzworträtsel frage partisanenkrieg die kreuzworträtsel frage partisanenkrieg ist einer lösung mit 8 buchstaben in
diesem lexikon zugeordnet kategorie

partisanenkrieg heute lehren aus dem freiheitskampf zyperns - Jul 05 2023

web sep 23 2023 partisanenkrieg heute lehren aus dem freiheitskampf zyperns by georgios grivas dighenis evangelya
weyde zypern das volk hat das letzte wort stern

der partisanenkrieg massaker an partisanen und zivilisten - Aug 26 2022

web may 27 2013 einheiten aus ss wehrmacht und ordnungspolizei verübten zahllose massaker im rahmen der
partisanenbekämpfung in 55 großaktionen wurden allein

partisanenkrieg heute lehren aus dem freiheitskam pdf - Feb 17 2022

web jun 28 2023 partisanenkrieg heute lehren aus dem freiheitskam 2 5 downloaded from uniport edu ng on june 28 2023
by guest mehrmals an den rand eines heißen krieges

partisanenkrieg heute lehren aus dem freiheitskam - Dec 18 2021

web apr 20 2023 partisanenkrieg heute lehren aus dem freiheitskam 1 6 downloaded from uniport edu ng on april 20 2023
by guest partisanenkrieg heute lehren aus dem

partisanenkrieg heute lehren aus dem freiheitskam copy - Mar 21 2022

web partisanenkrieg heute lehren aus dem freiheitskam georgios grivas dighenis partisanenkrieg heute dt lehren aus d
freiheitsskampf zyperns guerrilla

partisanenkrieg heute lehren aus dem freiheitskam pdf - Aug 06 2023

web partisanenkrieg heute lehren aus dem freiheitskam partisanenkrieg heute lehren aus dem freiheitskam 3 downloaded from ead3 archivists org on 2021 12 10 by

partisanenkrieg heute lehren aus dem freiheitskam 2013 - Oct 08 2023

web 2 partisanenkrieg heute lehren aus dem freiheitskam 2021 01 06 das gesellschaftliche phänomen politische gewalt und mit ihm verbunden die fragen von sicherheit und

partisanenkrieg heute lehren aus dem freiheitskam - Mar 01 2023

web partisanenkrieg heute lehren aus dem freiheitskam downloaded from opendoors cityandguilds com by guest antwan yosef theory of the partisan polity

der partisanenkrieg wikipedia - Sep 26 2022

web der partisanenkrieg originaltitel la guerra de guerrillas ist ein 1960 erschienenes buch ernesto che guevaras das aus den erfahrungen der kubanischen revolution heraus

aktenfund das grauen des partisanenkrieges im osten welt - Nov 28 2022

web may 27 2013 schon im juli 1941 hatte hitler festgestellt dass der partisanenkrieg uns die möglichkeit gibt auszurotten was sich gegen uns stellt in diesem sinne gingen

partisanenkrieg heute lehren aus dem freiheitskam 2022 - Apr 21 2022

web partisanenkrieg heute lehren aus dem freiheitskam downloaded from store spiralny com by guest daniel carlson the new wars e arnow das phnomen

ebook partisanenkrieg heute lehren aus dem freiheitskam - Sep 07 2023

web partisanenkrieg heute lehren aus dem freiheitskam geschichte des altertums feb 26 2020 die natürliche gotteserkenntniss aus der lehre der väter sep 26 2022