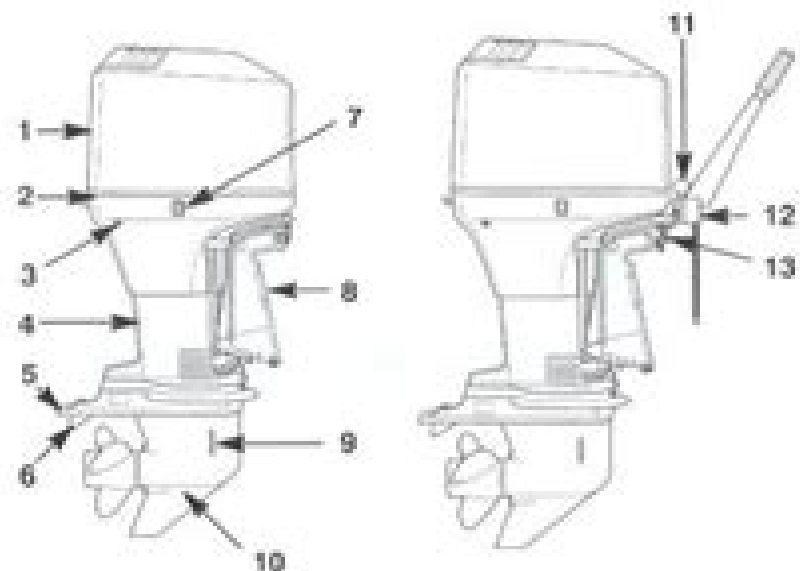


GENERAL INFORMATION

SPECIFICATIONS

Models	75	90	100	115	125
Horsepower	75	90	100	115	125
Kilowatts	56	67	75	86	93
Full Throttle RPM Range	4750-5250	5000-5500	4750-5250		
Idle Speed in Forward Gear	650-700 RPM				
Number of Cylinders	3		4		
Piston Displacement	84.57 cu. in. (1385.8cc)		112.76 cu. in. (1847.8cc)		
Cylinder Bore	3.500 in. (88.9mm)				
Stroke	2.930 in. (74mm)				
Recommended Spark Plug	NGK BLUHW-3		NGK BP6H-N-10		
Spark Plug Gap	Surface Gap		.040 in. (1.0mm)		
Gear Ratio	2.3:1		2.07:1		
Recommended Gasoline	Refer to Fuel Section				
Recommended Oil	Refer to Fuel Section				
Gear Case Lubricant Capacity	22.5 fl. oz. (666 ml)				
Battery Rating	630 Marine Cranking Amps (MCA) or 490 Cold Cranking Amps (CCA)				

GENERAL INFORMATION



COMPONENT IDENTIFICATION

- | | |
|--|---------------------------------------|
| 1. Top Cowl | 8. Transom Brackets |
| 2. Bottom Cowl | 9. Cooling Water Intake |
| 3. Water Pump Indicator Hole | 10. Gear Case |
| 4. Drive Shaft Housing | 11. Shift Handle |
| 5. Anti-Ventilation Plate | 12. Lanyard Stop Switch |
| 6. Trim Tab | 13. Steering Friction Adjustment Knob |
| 7. Auxiliary Tilt Switch (Power Trim Models) | |

Johnson 50 Hp 4 Stroke Manual

Ensheng Dong



Johnson 50 Hp 4 Stroke Manual:

MotorBoating ,1972-10 Boating ,1959-01 *MotorBoating* ,1964-01 MotorBoating ,1963-09

MotorBoating ,1971-10 *Field & Stream* ,1975-12 FIELD STREAM America s largest outdoor sports magazine celebrates the outdoor experience with great stories compelling photography and sound advice while honoring the traditions hunters and fishermen have passed down for generations Field & Stream ,1981-02 FIELD STREAM America s largest outdoor sports magazine celebrates the outdoor experience with great stories compelling photography and sound advice while honoring the traditions hunters and fishermen have passed down for generations **Skipper's Outboard Motor Guide** Hans Donat,2011-03-15 In the same handy splash proof format as the highly successful Skipper s Cockpit Guide and Skipper s Onboard Emergency Guide this Skipper s Outboard Motor Guide is a convenient lie flat water and oil proof reference to all types of outboard engine There is advice on how the engine works how each part interacts dos and don ts fault finding and troubleshooting tests all illustrated with detailed exploded diagrams to show how to fix problems There is advice on Oil systems Cooling Gears Plugs and points Circuits Electrics All in all the Skipper s Outboard Motor Guide will be a godsend to anyone with an outboard motor on their boat or tender **Boating** ,1971-07 *MotorBoating* ,1973-01

Chilton's Automotive Industries ,1971 MotorBoating ,1971-10 *Field & Stream* ,1977-12 FIELD STREAM America s largest outdoor sports magazine celebrates the outdoor experience with great stories compelling photography and sound advice while honoring the traditions hunters and fishermen have passed down for generations *Title List of Documents Made Publicly Available* ,1984-06 **Popular Mechanics** ,1969-10 Popular Mechanics inspires instructs and influences readers to help them master the modern world Whether it s practical DIY home improvement tips gadgets and digital technology information on the newest cars or the latest breakthroughs in science PM is the ultimate guide to our high tech lifestyle *Popular Mechanics* ,1969-10 Popular Mechanics inspires instructs and influences readers to help them master the modern world Whether it s practical DIY home improvement tips gadgets and digital technology information on the newest cars or the latest breakthroughs in science PM is the ultimate guide to our high tech lifestyle **American Agriculturist** ,1867 **Popular Mechanics** ,1944-10 Popular Mechanics inspires instructs and influences readers to help them master the modern world Whether it s practical DIY home improvement tips gadgets and digital technology information on the newest cars or the latest breakthroughs in science PM is the ultimate guide to our high tech lifestyle **Monthly Catalog of United States Government Publications** ,1989 *Yachting* ,1995-06

Embark on a transformative journey with Explore the World with is captivating work, Discover the Magic in **Johnson 50 Hp 4 Stroke Manual** . This enlightening ebook, available for download in a convenient PDF format Download in PDF: , invites you to explore a world of boundless knowledge. Unleash your intellectual curiosity and discover the power of words as you dive into this riveting creation. Download now and elevate your reading experience to new heights .

<https://recruitmentslovakia.com/public/publication/HomePages/science%20review%20forces%20section%201%20answer%20key.pdf>

Table of Contents Johnson 50 Hp 4 Stroke Manual

1. Understanding the eBook Johnson 50 Hp 4 Stroke Manual
 - The Rise of Digital Reading Johnson 50 Hp 4 Stroke Manual
 - Advantages of eBooks Over Traditional Books
2. Identifying Johnson 50 Hp 4 Stroke Manual
 - Exploring Different Genres
 - Considering Fiction vs. Non-Fiction
 - Determining Your Reading Goals
3. Choosing the Right eBook Platform
 - Popular eBook Platforms
 - Features to Look for in an Johnson 50 Hp 4 Stroke Manual
 - User-Friendly Interface
4. Exploring eBook Recommendations from Johnson 50 Hp 4 Stroke Manual
 - Personalized Recommendations
 - Johnson 50 Hp 4 Stroke Manual User Reviews and Ratings
 - Johnson 50 Hp 4 Stroke Manual and Bestseller Lists
5. Accessing Johnson 50 Hp 4 Stroke Manual Free and Paid eBooks
 - Johnson 50 Hp 4 Stroke Manual Public Domain eBooks
 - Johnson 50 Hp 4 Stroke Manual eBook Subscription Services

- Johnson 50 Hp 4 Stroke Manual Budget-Friendly Options
- 6. Navigating Johnson 50 Hp 4 Stroke Manual eBook Formats
 - ePub, PDF, MOBI, and More
 - Johnson 50 Hp 4 Stroke Manual Compatibility with Devices
 - Johnson 50 Hp 4 Stroke Manual Enhanced eBook Features
- 7. Enhancing Your Reading Experience
 - Adjustable Fonts and Text Sizes of Johnson 50 Hp 4 Stroke Manual
 - Highlighting and Note-Taking Johnson 50 Hp 4 Stroke Manual
 - Interactive Elements Johnson 50 Hp 4 Stroke Manual
- 8. Staying Engaged with Johnson 50 Hp 4 Stroke Manual
 - Joining Online Reading Communities
 - Participating in Virtual Book Clubs
 - Following Authors and Publishers Johnson 50 Hp 4 Stroke Manual
- 9. Balancing eBooks and Physical Books Johnson 50 Hp 4 Stroke Manual
 - Benefits of a Digital Library
 - Creating a Diverse Reading Collection Johnson 50 Hp 4 Stroke Manual
- 10. Overcoming Reading Challenges
 - Dealing with Digital Eye Strain
 - Minimizing Distractions
 - Managing Screen Time
- 11. Cultivating a Reading Routine Johnson 50 Hp 4 Stroke Manual
 - Setting Reading Goals Johnson 50 Hp 4 Stroke Manual
 - Carving Out Dedicated Reading Time
- 12. Sourcing Reliable Information of Johnson 50 Hp 4 Stroke Manual
 - Fact-Checking eBook Content of Johnson 50 Hp 4 Stroke Manual
 - Distinguishing Credible Sources
- 13. Promoting Lifelong Learning
 - Utilizing eBooks for Skill Development
 - Exploring Educational eBooks
- 14. Embracing eBook Trends

- Integration of Multimedia Elements
- Interactive and Gamified eBooks

Johnson 50 Hp 4 Stroke Manual Introduction

In the digital age, access to information has become easier than ever before. The ability to download Johnson 50 Hp 4 Stroke Manual has revolutionized the way we consume written content. Whether you are a student looking for course material, an avid reader searching for your next favorite book, or a professional seeking research papers, the option to download Johnson 50 Hp 4 Stroke Manual has opened up a world of possibilities. Downloading Johnson 50 Hp 4 Stroke Manual provides numerous advantages over physical copies of books and documents. Firstly, it is incredibly convenient. Gone are the days of carrying around heavy textbooks or bulky folders filled with papers. With the click of a button, you can gain immediate access to valuable resources on any device. This convenience allows for efficient studying, researching, and reading on the go. Moreover, the cost-effective nature of downloading Johnson 50 Hp 4 Stroke Manual has democratized knowledge. Traditional books and academic journals can be expensive, making it difficult for individuals with limited financial resources to access information. By offering free PDF downloads, publishers and authors are enabling a wider audience to benefit from their work. This inclusivity promotes equal opportunities for learning and personal growth. There are numerous websites and platforms where individuals can download Johnson 50 Hp 4 Stroke Manual. These websites range from academic databases offering research papers and journals to online libraries with an expansive collection of books from various genres. Many authors and publishers also upload their work to specific websites, granting readers access to their content without any charge. These platforms not only provide access to existing literature but also serve as an excellent platform for undiscovered authors to share their work with the world. However, it is essential to be cautious while downloading Johnson 50 Hp 4 Stroke Manual. Some websites may offer pirated or illegally obtained copies of copyrighted material. Engaging in such activities not only violates copyright laws but also undermines the efforts of authors, publishers, and researchers. To ensure ethical downloading, it is advisable to utilize reputable websites that prioritize the legal distribution of content. When downloading Johnson 50 Hp 4 Stroke Manual, users should also consider the potential security risks associated with online platforms. Malicious actors may exploit vulnerabilities in unprotected websites to distribute malware or steal personal information. To protect themselves, individuals should ensure their devices have reliable antivirus software installed and validate the legitimacy of the websites they are downloading from. In conclusion, the ability to download Johnson 50 Hp 4 Stroke Manual has transformed the way we access information. With the convenience, cost-effectiveness, and accessibility it offers, free PDF downloads have become a popular choice for students, researchers, and book lovers worldwide. However, it is crucial to engage in ethical downloading practices and prioritize personal security when utilizing online platforms. By

doing so, individuals can make the most of the vast array of free PDF resources available and embark on a journey of continuous learning and intellectual growth.

FAQs About Johnson 50 Hp 4 Stroke Manual Books

1. Where can I buy Johnson 50 Hp 4 Stroke Manual books? Bookstores: Physical bookstores like Barnes & Noble, Waterstones, and independent local stores. Online Retailers: Amazon, Book Depository, and various online bookstores offer a wide range of books in physical and digital formats.
2. What are the different book formats available? Hardcover: Sturdy and durable, usually more expensive. Paperback: Cheaper, lighter, and more portable than hardcovers. E-books: Digital books available for e-readers like Kindle or software like Apple Books, Kindle, and Google Play Books.
3. How do I choose a Johnson 50 Hp 4 Stroke Manual book to read? Genres: Consider the genre you enjoy (fiction, non-fiction, mystery, sci-fi, etc.). Recommendations: Ask friends, join book clubs, or explore online reviews and recommendations. Author: If you like a particular author, you might enjoy more of their work.
4. How do I take care of Johnson 50 Hp 4 Stroke Manual books? Storage: Keep them away from direct sunlight and in a dry environment. Handling: Avoid folding pages, use bookmarks, and handle them with clean hands. Cleaning: Gently dust the covers and pages occasionally.
5. Can I borrow books without buying them? Public Libraries: Local libraries offer a wide range of books for borrowing. Book Swaps: Community book exchanges or online platforms where people exchange books.
6. How can I track my reading progress or manage my book collection? Book Tracking Apps: Goodreads, LibraryThing, and Book Catalogue are popular apps for tracking your reading progress and managing book collections. Spreadsheets: You can create your own spreadsheet to track books read, ratings, and other details.
7. What are Johnson 50 Hp 4 Stroke Manual audiobooks, and where can I find them? Audiobooks: Audio recordings of books, perfect for listening while commuting or multitasking. Platforms: Audible, LibriVox, and Google Play Books offer a wide selection of audiobooks.
8. How do I support authors or the book industry? Buy Books: Purchase books from authors or independent bookstores. Reviews: Leave reviews on platforms like Goodreads or Amazon. Promotion: Share your favorite books on social media or recommend them to friends.
9. Are there book clubs or reading communities I can join? Local Clubs: Check for local book clubs in libraries or

community centers. Online Communities: Platforms like Goodreads have virtual book clubs and discussion groups.

10. Can I read Johnson 50 Hp 4 Stroke Manual books for free? Public Domain Books: Many classic books are available for free as they're in the public domain. Free E-books: Some websites offer free e-books legally, like Project Gutenberg or Open Library.

Find Johnson 50 Hp 4 Stroke Manual :

[science review forces section 1 answer key](#)
[question out jsc 2014 jessor board](#)

[science review forces section 1 answer key](#)

1994 audi 100 water pipe o ring manual

[at t answering machine 1725 user manual](#)

[aprilaire model 6 owners manual](#)

electronic flash equipment

[50 brain teasers and answers](#)

manual allarm mini cooper

[manual for benelli m1 super 90](#)

[federal income tax code and regulations selected sections 2003-2004 edition](#)

[john updikes novels](#)

[2014 exemplar life sciences grade 11](#)

ballad with a solitary blade vol

[practice 8-1 geometric mean answers](#)

Johnson 50 Hp 4 Stroke Manual :

centurion boat manuals CENTURION BOAT MANUALS ... Press a link below to download a PDF of the manual. 2022 Centurion Operator's Manual · 2020 Centurion Operator's Manual · 2019 ... Operator's Manual - WakeFlot Centurion Boats. One hundred percent customer satisfaction is the goal we ... Refer to your boat and Engine Operator's Manual for specific fuel system ... Boat Manuals - Centurion and Supreme Boat Fanatics Mar 23, 2015 — Any ideas where to get a 2003 avalanche manual? The manuals were (and even are now) not boat specific and very general. The engine/trans/V-drive ... Centurion Owner's Manual | Boating Mag Jun 6, 2022 — Professional riders Taylor McCullough and Nick Parros teach new

Centurion owners how to set up and take care of their boat. Centurion Boat Owners Manual PDF Centurion Boat Owners Manual PDF free download. CENTURION Boat Manual PDF - Free Boat, Yacht, Jet Ski, Inboard & Outboard Marine Engine Owner's Manuals, Service Manuals PDF;. - Free Inboard & Outboard Marine Engine Fault Codes DTC ... 2019 Centurion Owners Manual Owner should refer to Pleasurecraft Marine Engine. Company Owner's Manual and warranty documents for further information on terms and conditions of the engine/ ... Centurion Fi23 Manuals Manuals and User Guides for Centurion Fi23. We have 1 Centurion Fi23 manual available for free PDF download: Owner's Manual ; Introduction. 8 ; Safety. 28. Anyone know where I can find Ski Centurion manual I have a 02-03 Ski Centurion (Lighting) Wake Edit. V-drive and I am having a hard time finding a manual or book I can get so I can have more info on my ... OWNER'S OPERATION and MAINTENANCE MANUAL by W Intentionally · Cited by 1 — Ask your Dealer for a demonstration of actual starting and operating procedures. The descriptions and specifications contained in this manual were in effect at ... Il mio spazio nel mondo. Geografia per la scuola dell' ... Il mio spazio nel mondo. Geografia per la scuola dell'infanzia e primaria. 4,6 ... Il mio spazio nel mondo. Geografia per la scuola dell' ... Amazon.com: Il mio spazio nel mondo. Geografia per la scuola dell'infanzia e primaria: 9788843070275: Cristiano Giorda: □□□□□. Il mio spazio nel mondo. Geografia per la scuola dell' ... Il mio spazio nel mondo. Geografia per la scuola dell'infanzia e primaria è un libro scritto da Cristiano Giorda pubblicato da Carocci nella collana ... Il mio spazio nel mondo. Geografia per la scuola dell' ... May 15, 2014 — Il mio spazio nel mondo. Geografia per la scuola dell'infanzia e primaria è un libro di Cristiano Giorda pubblicato da Carocci nella collana ... Il mio spazio nel mondo. Geografia per la scuola dell' ... by C Giorda · 2014 · Cited by 57 — Il mio spazio nel mondo. Geografia per la scuola dell'infanzia e primaria. GIORDA, Cristiano. 2014-01-01. Abstract. L'educazione geografica, i bambini e lo ... IL MIO Spazio NEL Mondo Geografia per la scuola dell' ... IL MIO Spazio NEL Mondo Geografia per la scuola dell'infanzia e primaria. Corso: Geografia. 999+ Documenti. Gli studenti hanno condiviso 1136 documenti in ... "Il mio spazio nel mondo. Geografia per scuola dell'infanzia ... Il mio spazio nel mondo, Geografia per la scuola dell'infanzia e primaria. Cristiano Giorda. Il mio spazio ... mio spazio nel mondo. geografia per la scuola dell'infanzia ... MIO SPAZIO NEL MONDO. GEOGRAFIA PER LA SCUOLA DELL'INFANZIA E PRIMARIA GIORDA CR ; EAN. 9788843070275 ; Autore. GIORDA CRISTIANO ; Descrizione dell'oggetto fatta ... Il mio spazio nel mondo. Geografia per la scuola dell' ... May 15, 2014 — Acquista Il mio spazio nel mondo. Geografia per la scuola dell'infanzia e primaria su Libreria Universitaria. Spedizione gratuita sopra i 25 ... Il mio spazio nel mondo - Geografia per la scuola dell' ... Scarica Sintesi del corso - Il mio spazio nel mondo - Geografia per la scuola dell'infanzia e primaria - Cristiano Giorda | Università Kore di Enna (UNIKORE) ... Sport Marketing Association You've reached the home of the Sport Marketing Association, where academia and industry strive to develop and expand the body of knowledge in sport marketing. Sports marketing Sports marketing is an element of sports promotion which involves a wide variety of sectors of the sports industry, including broadcasting, advertising, social ... What Is Sports Marketing? Aug 3, 2023

— Sports Marketing can be defined as a marketing strategy that is aimed at promoting sporting events, equipment or products and services using an ... Sport Marketing Using a full-color format and companion web study guide, students will explore how fans, players, coaches, the media, and companies interact to drive the sport ... Sports Marketing: Salary and Responsibilities A high starting sports marketing salary helps a graduate pay for student loans and reach milestones like buying a house or going on an expensive vacation. 5 Essential Sports Marketing Strategies Sports marketing relies on exposure to sports and fitness fans. Because of this, social media is an excellent way to boost brand awareness. It is the modern ... What Does a Sports Marketer Do? 4 Skills You'll Need Jul 26, 2021 — A sports marketer is responsible for a wide variety of tasks involving community and media outreach on behalf of sports organizations. Sports Marketing & Management - Sports Industry This title is geared toward sports marketing students and prospective sports marketers. It looks at: sports markets; fan development; brand management; ticket ... Sports marketing trends: Reaching fans in a digital age Jun 22, 2023 — Learn about the most recent sports marketing trends and best practices for reaching fans in an ever-increasing digital world. What We Do The SMA has over 350 active members, the majority of whom are university professors of sports marketing and management who conduct leading-edge research as well ...