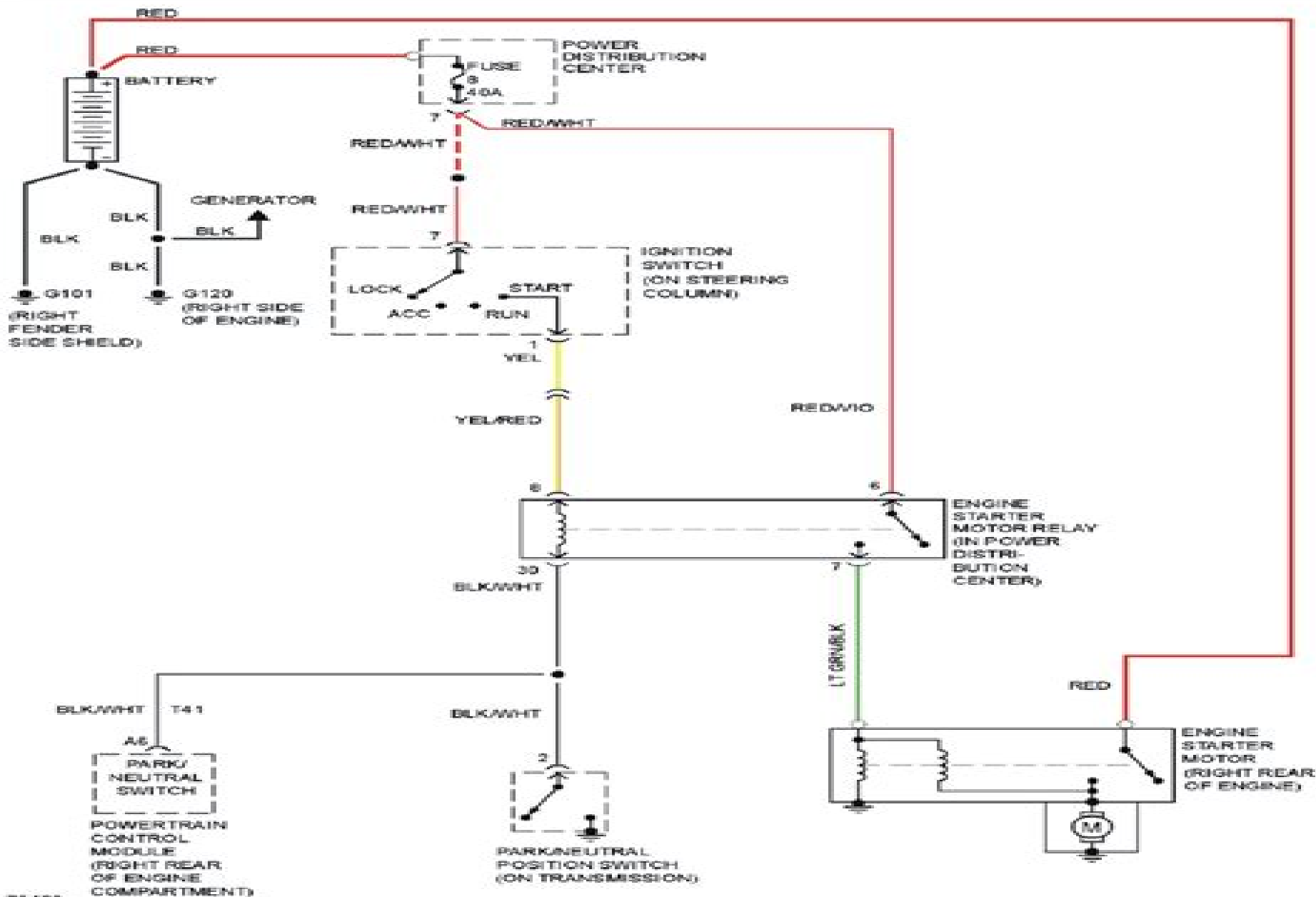


1996 Jeep Grand Cherokee Laredo

SYSTEM WIRING DIAGRAMS

Fig. 43: Starting Circuit



Jeep Grand Cherokee Laredo Wiring Diagram

Michal Rosen-Zvi



Jeep Grand Cherokee Laredo Wiring Diagram:

Jeep Grand Cherokee Automotive Repair Manual Larry Warren, John Harold Haynes, 2000 Models covered all Jeep Grand Cherokee models 1993 through 2000 **1993 Mitchell Domestic Light Trucks & Vans Service & Repair** Mitchell International, 1993 **jeep cherokee and comanche automotive repair manual** ,2000 Motor Air Conditioner & Heater Manual ,1988-01-01 \1985\nineteen Eighty-five\ *Domestic Light Trucks & Vans Tune-up, Mechanical Service & Repair* Mitchell Information Services, 1985 Road & Rec ,1997 *Domestic Light Trucks & Vans Tune-up, Mechanical, Service & Repair, 1986* Mitchell Information Services, 1986 **Chilton's Guide to Emission Diagnosis, Tune-up and Vacuum Diagrams, 1984-87 [i.e. 86] Domestic Cars** Chilton Book Company, 1987 Air Conditioning & Heating Service & Repair, Domestic Cars, Trucks & Vans Mitchell Information Services, Mitchell Manuals, inc, 1982 *How To Use Automotive Diagnostic Scanners* Tracy Martin, 2015-08-01 From hand held dedicated units to software that turns PCs and Palm Pilots into powerful diagnostic scanners auto enthusiasts today have a variety of methods available to make use of on board diagnostic systems And not only can they be used to diagnose operational faults they can be used as low budget data acquisition systems and dynamometers so you can maximize your vehicle s performance Beginning with why scanners are needed to work effectively on modern cars this book teaches you how to choose the right scanner for your application how to use the tool and what each code means How To Use Automotive Diagnostic Scanners is illustrated with photos and diagrams to help you understand OBD I and OBD II systems including CAN and the scanners that read the information they record Also included is a comprehensive list of codes and what they mean From catalytic converters and O2 sensors to emissions and automotive detective work this is the complete reference for keeping your vehicle EPA compliant and on the road **Daily Graphic** Yaw Boadu-Ayebofoh, 2005-10-27 Plunkett's Engineering & Research Industry Almanac 2007: Engineering & Research Industry Market Research, Statistics, Trends & Leading Companies Jack W. Plunkett, 2007-05 A guide to the trends and leading companies in the engineering research design innovation and development business fields This book contains most of the data you need on the American Engineering Research Industry It includes market analysis R D data and several statistical tables and nearly 400 profiles of Engineering and Research firms **Truck and Van Manual, 1991-1995** Chilton Automotive Books, The Nichols/Chilton, Chilton, (Chilton) Chilton, 1994 Documents specifications repairs and servicing procedures for individual models and provides information on component repair and overhaul Cars & Parts ,1993 **F&S Index United States Annual** ,1998 **Federal Register** ,2014 **Popular Mechanics** ,1974-03 Popular Mechanics inspires instructs and influences readers to help them master the modern world Whether it s practical DIY home improvement tips gadgets and digital technology information on the newest cars or the latest breakthroughs in science PM is the ultimate guide to our high tech lifestyle *American Book Publishing Record Cumulative 1998* R R Bowker Publishing, 1999-03 Ward's Automotive Yearbook ,2005 Includes advertising matter *Billboard* ,1960-07-11 In its 114th

year Billboard remains the world's premier weekly music publication and a diverse digital events brand content and data licensing platform Billboard publishes the most trusted charts and offers unrivaled reporting about the latest music video gaming media digital and mobile entertainment issues and trends

Embark on a breathtaking journey through nature and adventure with is mesmerizing ebook, **Jeep Grand Cherokee Laredo Wiring Diagram** . This immersive experience, available for download in a PDF format (*), transports you to the heart of natural marvels and thrilling escapades. Download now and let the adventure begin!

<https://recruitmentslovakia.com/files/browse/index.jsp/in%20search%20of%20ancient%20civilizations.pdf>

Table of Contents Jeep Grand Cherokee Laredo Wiring Diagram

1. Understanding the eBook Jeep Grand Cherokee Laredo Wiring Diagram
 - The Rise of Digital Reading Jeep Grand Cherokee Laredo Wiring Diagram
 - Advantages of eBooks Over Traditional Books
2. Identifying Jeep Grand Cherokee Laredo Wiring Diagram
 - Exploring Different Genres
 - Considering Fiction vs. Non-Fiction
 - Determining Your Reading Goals
3. Choosing the Right eBook Platform
 - Popular eBook Platforms
 - Features to Look for in an Jeep Grand Cherokee Laredo Wiring Diagram
 - User-Friendly Interface
4. Exploring eBook Recommendations from Jeep Grand Cherokee Laredo Wiring Diagram
 - Personalized Recommendations
 - Jeep Grand Cherokee Laredo Wiring Diagram User Reviews and Ratings
 - Jeep Grand Cherokee Laredo Wiring Diagram and Bestseller Lists
5. Accessing Jeep Grand Cherokee Laredo Wiring Diagram Free and Paid eBooks
 - Jeep Grand Cherokee Laredo Wiring Diagram Public Domain eBooks
 - Jeep Grand Cherokee Laredo Wiring Diagram eBook Subscription Services
 - Jeep Grand Cherokee Laredo Wiring Diagram Budget-Friendly Options
6. Navigating Jeep Grand Cherokee Laredo Wiring Diagram eBook Formats

- ePub, PDF, MOBI, and More
 - Jeep Grand Cherokee Laredo Wiring Diagram Compatibility with Devices
 - Jeep Grand Cherokee Laredo Wiring Diagram Enhanced eBook Features
7. Enhancing Your Reading Experience
 - Adjustable Fonts and Text Sizes of Jeep Grand Cherokee Laredo Wiring Diagram
 - Highlighting and Note-Taking Jeep Grand Cherokee Laredo Wiring Diagram
 - Interactive Elements Jeep Grand Cherokee Laredo Wiring Diagram
 8. Staying Engaged with Jeep Grand Cherokee Laredo Wiring Diagram
 - Joining Online Reading Communities
 - Participating in Virtual Book Clubs
 - Following Authors and Publishers Jeep Grand Cherokee Laredo Wiring Diagram
 9. Balancing eBooks and Physical Books Jeep Grand Cherokee Laredo Wiring Diagram
 - Benefits of a Digital Library
 - Creating a Diverse Reading Collection Jeep Grand Cherokee Laredo Wiring Diagram
 10. Overcoming Reading Challenges
 - Dealing with Digital Eye Strain
 - Minimizing Distractions
 - Managing Screen Time
 11. Cultivating a Reading Routine Jeep Grand Cherokee Laredo Wiring Diagram
 - Setting Reading Goals Jeep Grand Cherokee Laredo Wiring Diagram
 - Carving Out Dedicated Reading Time
 12. Sourcing Reliable Information of Jeep Grand Cherokee Laredo Wiring Diagram
 - Fact-Checking eBook Content of Jeep Grand Cherokee Laredo Wiring Diagram
 - Distinguishing Credible Sources
 13. Promoting Lifelong Learning
 - Utilizing eBooks for Skill Development
 - Exploring Educational eBooks
 14. Embracing eBook Trends
 - Integration of Multimedia Elements
 - Interactive and Gamified eBooks

Jeep Grand Cherokee Laredo Wiring Diagram Introduction

Jeep Grand Cherokee Laredo Wiring Diagram Offers over 60,000 free eBooks, including many classics that are in the public domain. Open Library: Provides access to over 1 million free eBooks, including classic literature and contemporary works. Jeep Grand Cherokee Laredo Wiring Diagram Offers a vast collection of books, some of which are available for free as PDF downloads, particularly older books in the public domain. Jeep Grand Cherokee Laredo Wiring Diagram : This website hosts a vast collection of scientific articles, books, and textbooks. While it operates in a legal gray area due to copyright issues, its a popular resource for finding various publications. Internet Archive for Jeep Grand Cherokee Laredo Wiring Diagram : Has an extensive collection of digital content, including books, articles, videos, and more. It has a massive library of free downloadable books. Free-eBooks Jeep Grand Cherokee Laredo Wiring Diagram Offers a diverse range of free eBooks across various genres. Jeep Grand Cherokee Laredo Wiring Diagram Focuses mainly on educational books, textbooks, and business books. It offers free PDF downloads for educational purposes. Jeep Grand Cherokee Laredo Wiring Diagram Provides a large selection of free eBooks in different genres, which are available for download in various formats, including PDF. Finding specific Jeep Grand Cherokee Laredo Wiring Diagram, especially related to Jeep Grand Cherokee Laredo Wiring Diagram, might be challenging as theyre often artistic creations rather than practical blueprints. However, you can explore the following steps to search for or create your own Online Searches: Look for websites, forums, or blogs dedicated to Jeep Grand Cherokee Laredo Wiring Diagram, Sometimes enthusiasts share their designs or concepts in PDF format. Books and Magazines Some Jeep Grand Cherokee Laredo Wiring Diagram books or magazines might include. Look for these in online stores or libraries. Remember that while Jeep Grand Cherokee Laredo Wiring Diagram, sharing copyrighted material without permission is not legal. Always ensure youre either creating your own or obtaining them from legitimate sources that allow sharing and downloading. Library Check if your local library offers eBook lending services. Many libraries have digital catalogs where you can borrow Jeep Grand Cherokee Laredo Wiring Diagram eBooks for free, including popular titles. Online Retailers: Websites like Amazon, Google Books, or Apple Books often sell eBooks. Sometimes, authors or publishers offer promotions or free periods for certain books. Authors Website Occasionally, authors provide excerpts or short stories for free on their websites. While this might not be the Jeep Grand Cherokee Laredo Wiring Diagram full book , it can give you a taste of the authors writing style. Subscription Services Platforms like Kindle Unlimited or Scribd offer subscription-based access to a wide range of Jeep Grand Cherokee Laredo Wiring Diagram eBooks, including some popular titles.

FAQs About Jeep Grand Cherokee Laredo Wiring Diagram Books

How do I know which eBook platform is the best for me? Finding the best eBook platform depends on your reading

preferences and device compatibility. Research different platforms, read user reviews, and explore their features before making a choice. Are free eBooks of good quality? Yes, many reputable platforms offer high-quality free eBooks, including classics and public domain works. However, make sure to verify the source to ensure the eBook credibility. Can I read eBooks without an eReader? Absolutely! Most eBook platforms offer webbased readers or mobile apps that allow you to read eBooks on your computer, tablet, or smartphone. How do I avoid digital eye strain while reading eBooks? To prevent digital eye strain, take regular breaks, adjust the font size and background color, and ensure proper lighting while reading eBooks. What the advantage of interactive eBooks? Interactive eBooks incorporate multimedia elements, quizzes, and activities, enhancing the reader engagement and providing a more immersive learning experience. Jeep Grand Cherokee Laredo Wiring Diagram is one of the best book in our library for free trial. We provide copy of Jeep Grand Cherokee Laredo Wiring Diagram in digital format, so the resources that you find are reliable. There are also many Ebooks of related with Jeep Grand Cherokee Laredo Wiring Diagram. Where to download Jeep Grand Cherokee Laredo Wiring Diagram online for free? Are you looking for Jeep Grand Cherokee Laredo Wiring Diagram PDF? This is definitely going to save you time and cash in something you should think about. If you trying to find then search around for online. Without a doubt there are numerous these available and many of them have the freedom. However without doubt you receive whatever you purchase. An alternate way to get ideas is always to check another Jeep Grand Cherokee Laredo Wiring Diagram. This method for see exactly what may be included and adopt these ideas to your book. This site will almost certainly help you save time and effort, money and stress. If you are looking for free books then you really should consider finding to assist you try this. Several of Jeep Grand Cherokee Laredo Wiring Diagram are for sale to free while some are payable. If you arent sure if the books you would like to download works with for usage along with your computer, it is possible to download free trials. The free guides make it easy for someone to free access online library for download books to your device. You can get free download on free trial for lots of books categories. Our library is the biggest of these that have literally hundreds of thousands of different products categories represented. You will also see that there are specific sites catered to different product types or categories, brands or niches related with Jeep Grand Cherokee Laredo Wiring Diagram. So depending on what exactly you are searching, you will be able to choose e books to suit your own need. Need to access completely for Campbell Biology Seventh Edition book? Access Ebook without any digging. And by having access to our ebook online or by storing it on your computer, you have convenient answers with Jeep Grand Cherokee Laredo Wiring Diagram To get started finding Jeep Grand Cherokee Laredo Wiring Diagram, you are right to find our website which has a comprehensive collection of books online. Our library is the biggest of these that have literally hundreds of thousands of different products represented. You will also see that there are specific sites catered to different categories or niches related with Jeep Grand Cherokee Laredo Wiring Diagram So depending on what exactly you are searching, you will be able to choose ebook to suit your own need. Thank you for reading

Jeep Grand Cherokee Laredo Wiring Diagram. Maybe you have knowledge that, people have search numerous times for their favorite readings like this Jeep Grand Cherokee Laredo Wiring Diagram, but end up in harmful downloads. Rather than reading a good book with a cup of coffee in the afternoon, instead they juggled with some harmful bugs inside their laptop. Jeep Grand Cherokee Laredo Wiring Diagram is available in our book collection an online access to it is set as public so you can download it instantly. Our digital library spans in multiple locations, allowing you to get the most less latency time to download any of our books like this one. Merely said, Jeep Grand Cherokee Laredo Wiring Diagram is universally compatible with any devices to read.

Find Jeep Grand Cherokee Laredo Wiring Diagram :

[in search of ancient civilizations](#)

stand up comedy science volume definemensional harmontics english edition

[volvo penta sp a mt manual](#)

[key of remembrance a study of chaucers p](#)

[personalized paper products](#)

[ingenuous subjection compliance and power in the eighteenth-century domestic novel](#)

[manual boeing 737 900er](#)

[interests and integration market liberalization public opinion and european union](#)

[4024 s13 ms 12 max papers](#)

[accounting practices and procedures manual 2012](#)

[advanced programme mathematics past papers grade 10](#)

aquasnap chiller manual

[natures way to health juice therapy](#)

[naughty bits revised english edition](#)

[2003 dodge dakota codes list](#)

Jeep Grand Cherokee Laredo Wiring Diagram :

[la dictature e la babycratie bruno humbeeck site officiel - Jun 19 2023](#)

web ces théories du bonheur sans tache s appliquent en outre aussi à la pédagogie prétendant fournir à l enseignant les clés d une méthode d apprentissage sans faille dans la dictature de la babycratie bruno humbeeck accompagne les parents dans

cette épreuve quotidienne qu est l acte d éduquer un enfant et leur

la dictature de la babycratie heurs et malheurs d download - Jan 14 2023

web la dictature de la babycratie heurs et malheurs d when people should go to the book stores la dictature de la babycratie heurs et malheurs d 3 3 mosaic depiction of fieldwork cette épreuve quotidienne qu est l acte d éduquer un enfant et leur fournit une véritable bouffée d oxygène en leur rappelant que l éducation bienveillante ne

la dictature de la babycratie heurs et malheurs de la bruno - Dec 13 2022

web heurs et malheurs de la psychologie et de la pédagogie positives paru le 14 novembre 2019 chez renaissance du livre broché d occasion ou neuf comparez les prix en ligne et achetez ce livre moins cher isbn 9782507056575 978 2 507 05657 5 *la dictature de la babycratie heurs et malheurs d* - Aug 09 2022

web la dictature de la babycratie heurs et malheurs d corporate innovation sep 02 2022 effectiveness is the underlying theme for this introduction to disruptive innovation the book tells the manager or student what they need to know in transforming the thinking in an organization to an innovative mindset in the twenty first century

la dictature de la babycratie heurs et malheurs d pdf - Jul 08 2022

web oct 12 2023 la dictature de la babycratie heurs et malheurs d 2 2 downloaded from uniport edu ng on october 12 2023 by guest privilege cognizant that the concept of intersectionality has been filled out in a plurality of ways thickening fat poses critical questions around how to render analysis of fatness intersectional and to

la dictature de la babycratie heurs et malheurs d pdf - Apr 05 2022

web downloaded from old medacs com on 23 11 2023 by guest 1 1 la dictature de la babycratie heurs et malheurs d la dictature de la babycratie heurs et malheurs d recognizing the showing off ways to get this book la dictature de la babycratie heurs et malheurs d is additionally useful you have remained in right site to begin getting this

la dictature de la babycratie by bruno humbeeck goodreads - Mar 16 2023

web jan 1 2019 dans la dictature de la babycratie bruno humbeeck accompagne les parents dans cette épreuve quotidienne qu est l acte d éduquer un enfant et leur fournit une véritable bouffée d oxygène en leur rappelant que l éducation bienveillante ne doit pas être confondue avec la manifestation d un bonheur de surface

la dictature de la babycratie heurs et malheurs d 2022 mail - Jun 07 2022

web la dictature de la babycratie heurs et malheurs d downloaded from mail thekingiscoming com by guest stark mohammed field research in africa presses universitaires de louvain la séparation pour un enfant c est la fin de l histoire qui réunissait ses parents et ce peut être la fin du monde À l aide de conseils d outils d

la dictature de la babycratie heurs et malheurs d - Mar 04 2022

web la dictature de la babycratie heurs et malheurs d downloaded from georgiacollegesurvey gcsu edu by guest myla john

urban wastelands springer nature this volume presents some of the most important debates that exist in the field of entrepreneurship today it brings together leading scholars

[pdf la dictature de la babycratie heurs et malheurs d](#) - May 18 2023

web la dictature de la babycratie heurs et malheurs d etudes historiques hongroises 1980 jul 12 2022 histoire de la campagne de 1815 waterloo jun 18 2020 f d roosvelt ou feb 19 2023 de la dictature nov 04 2021 la fin de la dictature des marchés

[la dictature de la babycratie heurs et malheurs d pdf a3](#) - Nov 12 2022

web 2 la dictature de la babycratie heurs et malheurs d 2023 04 20 la séparation pour un enfant c est la fin de l histoire qui réunissait ses parents et ce peut être la fin du monde À l aide de conseils d outils d évaluation et de petites leçons de lâcher prise vous cheminerez aux côtés de zara théo et arthur

la dictature de la babycratie heurs et malheurs d 2023 - Oct 23 2023

web la violence sexuelle sur mineurs et forts d une longue expérience clinique et judiciaire un expert psychiatre et une avocate dénoncent ici ces multiples dérives fondée sur l analyse de cas réels la dictature de l émotion est un précieux outil de réflexion qui affronte courageusement les idées reçues et

la dictature de la babycratie heurs et malheurs d copy - Apr 17 2023

web efficace d une sous estimation de l adversaire enfin et surtout d une méconnaissance de ce que recouvre une stratégie et de ce qu elle exige dans son application la dictature de trujillo apr 18 2023 au coeur des caraïbes la dictature dominicaine de trujillo s est maintenue de 1930 à 1961 par la terreur et grâce à l isolement du pays

la dictature de la babycratie heurs et malheurs de la psychologie et - Aug 21 2023

web noté 5 retrouvez la dictature de la babycratie heurs et malheurs de la psychologie et de la pédagogie positives et des millions de livres en stock sur amazon fr achetez neuf ou d occasion

[download free la dictature de la babycratie heurs et malheurs d](#) - May 06 2022

web la dictature de la babycratie heurs et malheurs d the great debates in entrepreneurship nov 14 2022 this volume presents some of the most important debates that exist in the field of entrepreneurship today it brings together leading scholars deriving contributions from special sessions designed by the global consortium of

[la dictature de la babycratie bruno humbeeck illustrations](#) - Oct 11 2022

web la dictature de la babycratie auteur bruno humbeeckillustrateur maxime bergerediteur renaissance du livresortie novembre 2019

[la dictature de la babycratie heurs et malheurs de la fnac](#) - Jul 20 2023

web nov 14 2019 heurs et malheurs de la psychologie et de la pédagogie positives la dictature de la babycratie bruno

humbeeck maxime berger renaissance du livre des milliers de livres avec la livraison chez vous en 1 jour ou en magasin avec 5 de réduction

la dictature de la babycratie heurs et malheurs d copy - Sep 10 2022

web la dictature de la babycratie heurs et malheurs d urban wastelands dec 05 2022 faced with the growing demand for nature in cities informal greenspaces are gaining the interest of various stakeholders residents associations public authorities as well as scientists this book provides a cross sectorial

download solutions la dictature de la babycratie heurs et malheurs d - Sep 22 2023

web la dictature de la babycratie heurs et malheurs d urban wastelands may 19 2023 faced with the growing demand for nature in cities informal greenspaces are gaining the interest of various stakeholders residents associations public authorities as well as scientists this book provides

la dictature de la babycratie heurs et malheurs d copy - Feb 15 2023

web la dictature de la babycratie heurs et malheurs d testing knowledge mar 31 2022 this volume presents the collective adventure of dingdingdong the institute for the co production of knowledge about huntington s disease founded in 2012 between paris and brussels katrin solhdju s testing knowledge toward an

a p lab practical 1 the appendicular skeleton shoulder quizlet - Jun 13 2023

web a p lab practical 1 the appendicular skeleton shoulder girdle and upper extremities shoulder girdle click the card to flip the proximal portion of the upper extremity made up of the clavicle the scapula and the humerus click the card to flip 1 51

laboratory manual for anatomy and physiology worldcat org - Apr 30 2022

web this interactive manual by allen and harper presents exercises that will enhance one s understanding of anatomy and physiology it contains activities and experiments that will help the reader to both

allen harper laboratory manual for anatomy and physiology - Jul 14 2023

web exercise 1 anatomical terms interactions review sheets requires adobe acrobat reader answer key reviewing your knowledge answer key using your knowledge exercise 2 organ systems interactions review sheets requires adobe acrobat reader answer key reviewing your knowledge answer key using your knowledge

allen harper laboratory manual for anatomy and physiology - May 12 2023

web allen harper laboratory manual for anatomy and physiology 2nd edition home browse by chapter browse by chapter how to use this site table of contents answer key reviewing your knowledge password protected assets need to register exercise 1 exercise 2 exercise 3 exercise 4 exercise 5 exercise 6 exercise 7 exercise

laboratory manual for anatomy physiology 7th edition - Mar 30 2022

web laboratory manual for anatomy physiology 7th edition contains dynamic and applied activities and experiments that help

students both visualize anatomical structures and understand complex physiological topics

allen harper laboratory manual for anatomy and physiology - Jun 01 2022

web interactions review sheets answer keys requires adobe acrobat reader cat pig dissection videos requires apple quicktime plug in cat dissection images pig dissection images answer key reviewing your knowledge answer key using your knowledge text illustrations in powerpoint question correlation guide for wiley plus users recipe

allen harper laboratory manual for anatomy and physiology - Apr 11 2023

web allen harper laboratory manual for anatomy and physiology binder ready version 5th edition home browse by chapter browse by chapter title home on wiley com how to use this site table of contents reviewing your knowledge answer keys password protected assets need to register chapter 1 chapter 2 chapter 3 chapter 4

laboratory manual for anatomy and physiology 7th edition - Dec 07 2022

web laboratory manual for anatomy physiology 7th edition contains dynamic and applied activities and experiments that help students both visualize anatomical structures and understand complex physiological topics

anatomy and physiology laboratory manual connie allen - Aug 03 2022

web dec 28 2016 anatomy and physiology laboratory manual the allen laboratory manual for anatomy and physiology 6th edition contains dynamic and applied activities and experiments that help students both visualize anatomical structures and understand complex physiological topics

anatomy and physiology 6th edition wiley - Nov 06 2022

web description the allen laboratory manual for anatomy and physiology 6th edition contains dynamic and applied activities and experiments that help students both visualize anatomical structures and understand complex physiological topics

allen harper laboratory manual for anatomy and physiology - Mar 10 2023

web allen harper laboratory manual for anatomy and physiology home browse by chapter browse by chapter browse by resource browse by resource more information more information exercise 17b exercise 18 exercise 19a exercise 19b exercise 20 exercise 21a exercise 22 exercise 24 exercise 25 exercise 26 exercise 27a

allen and harper anatomy exercise answer key pdf - Dec 27 2021

web mar 26 2023 right here we have countless books allen and harper anatomy exercise answer key and collections to check out we additionally allow variant types and as well as type of the books to browse

laboratory manual for anatomy and physiology 7th edition - Aug 15 2023

web laboratory manual for anatomy physiology contains dynamic and applied activities and experiments that help students both visualize anatomical structures and understand complex physiological topics lab exercises are designed in a way that requires students to first apply information they learned and then critically evaluate it

laboratory manual for anatomy and physiology google books - Jul 02 2022

web jan 5 2011 the laboratory manual for anatomy and physiology by allen and harper presents material in a clear and concise way it is very interactive and contains activities and experiments that enhance readers ability to both visualize anatomical structures and understand physiological topics

allen and harper anatomy exercise answer key pdf copy - Jan 28 2022

web allen and harper anatomy exercise answer key pdf copy red ortax org created date 9 2 2023 9 38 30 am

anatomy and physiology rent 9781119320395 chegg com - Jan 08 2023

web nov 23 2016 the allen laboratory manual for anatomy and physiology 6th edition contains dynamic and applied activities and experiments that help students both visualize anatomical structures and understand complex physiological topics

allen harper anatomy and physiology 6th edition instructor - Feb 09 2023

web welcome to the web site for laboratory manual for anatomy and physiology 6th edition by connie allen and valerie harper this web site gives you access to the rich tools and resources available for this text

allen harper essentials of anatomy and physiology laboratory - Feb 26 2022

web allen harper essentials of anatomy and physiology laboratory manual home browse by chapter browse by chapter browse by resource browse by resource more information title home on wiley com how to use this site table of contents exercise 2 organ systems and body cavities learning styles survey laboratory

essentials of anatomy and physiology laboratory manual - Oct 05 2022

web exercise 1 anatomical language exercise 2 organ systems and body cavities exercise 3 compound light microscope exercise 4 cell structure and cell cycle exercise 5 transport across cell membranes exercise 6 tissues exercise 7 integumentary system exercise 8 bone structure exercise 9 axial skeleton

allen harper laboratory manual for anatomy and physiology - Sep 04 2022

web allen harper laboratory manual for anatomy and physiology 2nd edition home browse by chapter browse by chapter more information title home on wiley com how to use this site table of contents exercise 1 anatomical language corrections to first printing requires winzip or equivalent software answer key using your

roman du disque monde je m habillerai de nuit babelio - Sep 09 2023

web apr 21 2011 résumé rude existence que celle d une sorcière de seize ans dans le causse outre le quotidien d une infirmière doublée d une assistante sociale il faut aussi

annales du disque monde wikipédia - May 05 2023

web apr 25 2019 outre le quotidien d une infirmière doublée d une assistante sociale il faut aussi gérer les crises qui

fermentent et la mort prochaine du vieux baron guère de
[les annales du disque monde tome 38 je m habiller](#) - Feb 19 2022

web avec une distribution prestigieuse dans les seconds rôles le bagage l in octavo herrena la harpie kwartz le troll trymon l enchanteur maléfique et naturellement la mort

je m habillerai de nuit les annales du disque monde - Apr 23 2022

web sentant venir sa mort prochaine le mage tambour billette organise la transmission de ses pouvoirs de son bourdon de son fonds de commerce nous sommes sur le disque

les annales du disque monde 38 je m habillerai de nuit les - Nov 18 2021

les annales du disque monde tome 38 je m habillerai de nuit - May 25 2022

web rude existence que celle d une sorcière de seize ans dans le causse outre le quotidien d une infirmière doublée d une assistante sociale il faut aussi gérer les crises qui

les annales du disque monde tome 38 je m habillerai de nuit - Nov 30 2022

web achat en ligne de annales du disque monde les dans un vaste choix sur la boutique livres passer au contenu principal fr 12 sur 118 résultats pour annales du disque

les annales du disque monde tome 36 je m habillerai de nuit - Jun 25 2022

web les annales du disque monde tome 38 je m habillerai de nuit by terry pratchett les annales du disque monde tome 35 draill livraddict april 7th 2020 les annales du

les annales du disque monde tome 38 je m habillerai de nuit - Apr 04 2023

web apr 25 2019 les annales du disque monde tome 38 je m habillerai de nuit de plongez vous dans le livre terry pratchett au format grand format ajoutez le à votre liste de

les annales du disque monde tome 38 je m habiller pdf - Jul 27 2022

web jul 16 2020 tome 36 les annales du disque monde tome 36 je m habillerai de nuit terry pratchett paul kidby patrick couton pocket des milliers de livres avec la

[les annales du disque monde liste de 35 livres senscritique](#) - Dec 20 2021

web découvrez et achetez les annales du disque monde 38 je m habillera terry pratchett atalante sur librairielaautremonde com les annales du disque

les annales du disque monde les 35 livres de la série booknode - Jan 21 2022

web mécomptes de fées les annales du disque monde tome 12 witches abroad sortie 1991 france roman livre de terry pratchett citizen ced a mis 7 10 annotation

les annales du disque monde t38 je m habillerai - Jan 01 2023

web résumé avis lecteurs et expériences à propos de les annales du disque monde tome 38 par terry pratchett sur déjà lu fr rude existence que celle d une sorcière de seize

les annales du disque monde tome 38 grand - Aug 08 2023

web découvrez et achetez le livre je m habillerai de nuit les annales du disque monde écrit par terry pratchett chez pocket sur lalibrairie com en français langues étrangères

les annales du disque monde tome 38 je m habillerai de nuit - Aug 28 2022

web l art du disque monde les annales du disque monde procrastination pieds d argile timbré ronde de nuit les annales du disque monde trois soeurcières nobliaux et

les annales du disque monde vol 38 je m habillerai de nuit - Jul 07 2023

web découvrez et achetez les annales du disque monde 38 je m habillera terry pratchett atalante sur hisler fr s identifier 58 462 références en stock

les annales du disque monde tome 38 je m habiller pdf - Mar 23 2022

web may 3 2023 disque monde tome 38 je m habiller but end up in harmful downloads rather than reading a good book with a cup of tea in the afternoon instead they cope

les annales du disque monde fnac - Feb 02 2023

web retrouvez les sélections de livres nos coups de cœurs nos animations nos dédicaces ainsi que tous nos évènements les annales du disque monde t38 je

je m habillerai de nuit les annales du disque monde t38 - Oct 10 2023

web je m habillerai de nuit les annales du disque monde t38 par terry pratchett aux éditions l atalante rude existence que celle d une sorcière de seize ans dans le

les annales du disque monde tome 38 grand format furet - Mar 03 2023

web tous l univers les annales du disque monde à la fnac découvrez tous les produits les actus et les avis

les annales du disque monde tome 38 je m habillerai de nuit - Sep 28 2022

web april 7th 2020 les annales du disque monde tome 38 je m habillerai de nuit terry pratchett l atalante 5 0 2 votes remandé par 2 délecteurs ranger ma bibliothèque

annales du disque monde les livres amazon fr - Oct 30 2022

web les annales du disque monde tome 38 je m habillerai de nuit poche achat en ligne au meilleur prix sur e leclerc retrait gratuit dans de 700 magasins

les annales du disque monde 38 je m habillerai de nuit les - Jun 06 2023

web la série de romans du disque monde le plus souvent appelée annales du disque monde est une suite romanesque de fantasy humoristique écrite par terry pratchett