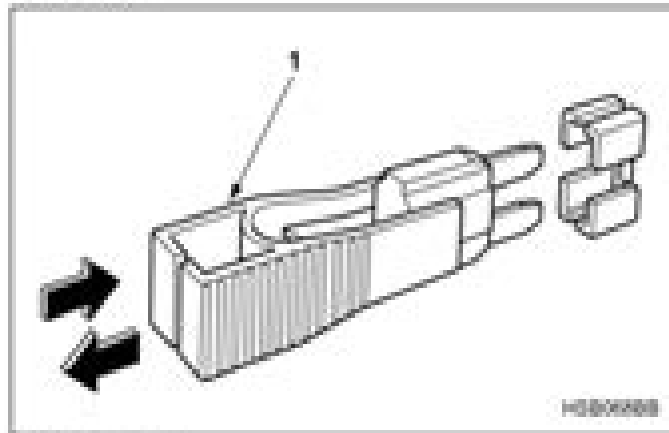


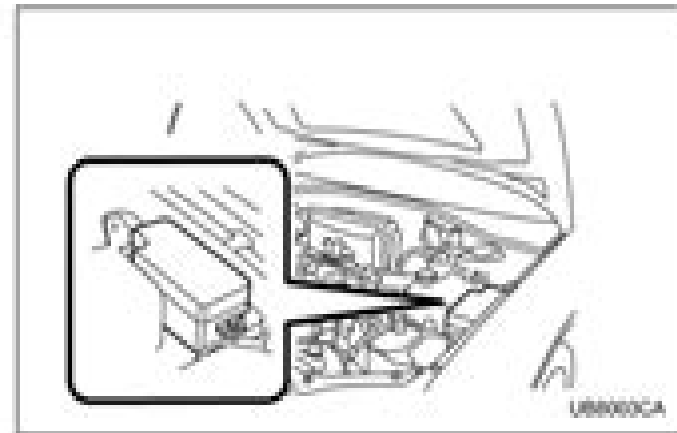
each fuse.



1) Fuse puller

4. Pull out the fuse with the fuse puller.
5. Inspect the fuse. If it has blown, replace it with a spare fuse of the same rating.
6. If the same fuse blows again, this indicates that its system has a problem. Contact your SUBARU dealer for repairs.

## Main fuse



Main fuse box

The main fuses are designed to melt during an overload to prevent damage to the wiring harness and electrical equipment. Check the main fuses if any electrical component fails to operate (except the starter motor) and other fuses are good. A melted main fuse must be replaced. Use only replacements with the same specified rating as the melted main fuse. If a main fuse blows after it is replaced, have the electrical system checked by your nearest SUBARU dealer.

# 2006 Subaru Baja Owners Manual Set

**Anthony S. Fauci**



**2006 Subaru Baja Owners Manual Set:**

2006 Subaru Baja Owners Manual Set: Bestsellers in 2023 The year 2023 has witnessed a remarkable surge in literary brilliance, with numerous captivating novels enthraling the hearts of readers worldwide. Lets delve into the realm of popular books, exploring the fascinating narratives that have captivated audiences this year. The Must-Read : Colleen Hoover's "It Ends with Us" This touching tale of love, loss, and resilience has captivated readers with its raw and emotional exploration of domestic abuse. Hoover expertly weaves a story of hope and healing, reminding us that even in the darkest of times, the human spirit can prevail. Uncover the Best : Taylor Jenkins Reids "The Seven Husbands of Evelyn Hugo" This intriguing historical fiction novel unravels the life of Evelyn Hugo, a Hollywood icon who defies expectations and societal norms to pursue her dreams. Reids captivating storytelling and compelling characters transport readers to a bygone era, immersing them in a world of glamour, ambition, and self-discovery. Discover the Magic : Delia Owens "Where the Crawdads Sing" This captivating coming-of-age story follows Kya Clark, a young woman who grows up alone in the marshes of North Carolina. Owens weaves a tale of resilience, survival, and the transformative power of nature, captivating readers with its evocative prose and mesmerizing setting. These popular novels represent just a fraction of the literary treasures that have emerged in 2023. Whether you seek tales of romance, adventure, or personal growth, the world of literature offers an abundance of engaging stories waiting to be discovered. The novel begins with Richard Papen, a bright but troubled young man, arriving at Hampden College. Richard is immediately drawn to the group of students who call themselves the Classics Club. The club is led by Henry Winter, a brilliant and charismatic young man. Henry is obsessed with Greek mythology and philosophy, and he quickly draws Richard into his world. The other members of the Classics Club are equally as fascinating. Bunny Corcoran is a wealthy and spoiled young man who is always looking for a good time. Charles Tavis is a quiet and reserved young man who is deeply in love with Henry. Camilla Macaulay is a beautiful and intelligent young woman who is drawn to the power and danger of the Classics Club. The students are all deeply in love with Morrow, and they are willing to do anything to please him. Morrow is a complex and mysterious figure, and he seems to be manipulating the students for his own purposes. As the students become more involved with Morrow, they begin to commit increasingly dangerous acts. The Secret History is a exceptional and thrilling novel that will keep you speculating until the very end. The novel is a cautionary tale about the dangers of obsession and the power of evil.

[https://recruitmentslovakia.com/files/scholarship/fetch.php/Final\\_Exam\\_Applied\\_Math\\_Answers.pdf](https://recruitmentslovakia.com/files/scholarship/fetch.php/Final_Exam_Applied_Math_Answers.pdf)

## Table of Contents 2006 Subaru Baja Owners Manual Set

1. Understanding the eBook 2006 Subaru Baja Owners Manual Set
  - The Rise of Digital Reading 2006 Subaru Baja Owners Manual Set
  - Advantages of eBooks Over Traditional Books
2. Identifying 2006 Subaru Baja Owners Manual Set
  - Exploring Different Genres
  - Considering Fiction vs. Non-Fiction
  - Determining Your Reading Goals
3. Choosing the Right eBook Platform
  - Popular eBook Platforms
  - Features to Look for in an eBook Platform
  - User-Friendly Interface
4. Exploring eBook Recommendations from 2006 Subaru Baja Owners Manual Set
  - Personalized Recommendations
  - eBook User Reviews and Ratings
  - eBook Bestseller Lists
5. Accessing 2006 Subaru Baja Owners Manual Set Free and Paid eBooks
  - eBook Public Domain eBooks
  - eBook Subscription Services
  - eBook Budget-Friendly Options
6. Navigating 2006 Subaru Baja Owners Manual Set eBook Formats
  - ePub, PDF, MOBI, and More
  - eBook Compatibility with Devices
  - eBook Enhanced eBook Features
7. Enhancing Your Reading Experience
  - Adjustable Fonts and Text Sizes of eBook
  - Highlighting and Note-Taking eBook
  - Interactive Elements eBook
8. Staying Engaged with 2006 Subaru Baja Owners Manual Set

- Joining Online Reading Communities
  - Participating in Virtual Book Clubs
  - Following Authors and Publishers 2006 Subaru Baja Owners Manual Set
9. Balancing eBooks and Physical Books 2006 Subaru Baja Owners Manual Set
- Benefits of a Digital Library
  - Creating a Diverse Reading Collection 2006 Subaru Baja Owners Manual Set
10. Overcoming Reading Challenges
- Dealing with Digital Eye Strain
  - Minimizing Distractions
  - Managing Screen Time
11. Cultivating a Reading Routine 2006 Subaru Baja Owners Manual Set
- Setting Reading Goals 2006 Subaru Baja Owners Manual Set
  - Carving Out Dedicated Reading Time
12. Sourcing Reliable Information of 2006 Subaru Baja Owners Manual Set
- Fact-Checking eBook Content of 2006 Subaru Baja Owners Manual Set
  - Distinguishing Credible Sources
13. Promoting Lifelong Learning
- Utilizing eBooks for Skill Development
  - Exploring Educational eBooks
14. Embracing eBook Trends
- Integration of Multimedia Elements
  - Interactive and Gamified eBooks

### **2006 Subaru Baja Owners Manual Set Introduction**

In this digital age, the convenience of accessing information at our fingertips has become a necessity. Whether its research papers, eBooks, or user manuals, PDF files have become the preferred format for sharing and reading documents. However, the cost associated with purchasing PDF files can sometimes be a barrier for many individuals and organizations. Thankfully, there are numerous websites and platforms that allow users to download free PDF files legally. In this article, we will explore some of the best platforms to download free PDFs. One of the most popular platforms to download free PDF files is Project Gutenberg. This online library offers over 60,000 free eBooks that are in the public domain. From classic literature to

historical documents, Project Gutenberg provides a wide range of PDF files that can be downloaded and enjoyed on various devices. The website is user-friendly and allows users to search for specific titles or browse through different categories. Another reliable platform for downloading 2006 Subaru Baja Owners Manual Set free PDF files is Open Library. With its vast collection of over 1 million eBooks, Open Library has something for every reader. The website offers a seamless experience by providing options to borrow or download PDF files. Users simply need to create a free account to access this treasure trove of knowledge. Open Library also allows users to contribute by uploading and sharing their own PDF files, making it a collaborative platform for book enthusiasts. For those interested in academic resources, there are websites dedicated to providing free PDFs of research papers and scientific articles. One such website is Academia.edu, which allows researchers and scholars to share their work with a global audience. Users can download PDF files of research papers, theses, and dissertations covering a wide range of subjects. Academia.edu also provides a platform for discussions and networking within the academic community. When it comes to downloading 2006 Subaru Baja Owners Manual Set free PDF files of magazines, brochures, and catalogs, Issuu is a popular choice. This digital publishing platform hosts a vast collection of publications from around the world. Users can search for specific titles or explore various categories and genres. Issuu offers a seamless reading experience with its user-friendly interface and allows users to download PDF files for offline reading. Apart from dedicated platforms, search engines also play a crucial role in finding free PDF files. Google, for instance, has an advanced search feature that allows users to filter results by file type. By specifying the file type as "PDF," users can find websites that offer free PDF downloads on a specific topic. While downloading 2006 Subaru Baja Owners Manual Set free PDF files is convenient, it's important to note that copyright laws must be respected. Always ensure that the PDF files you download are legally available for free. Many authors and publishers voluntarily provide free PDF versions of their work, but it's essential to be cautious and verify the authenticity of the source before downloading 2006 Subaru Baja Owners Manual Set. In conclusion, the internet offers numerous platforms and websites that allow users to download free PDF files legally. Whether it's classic literature, research papers, or magazines, there is something for everyone. The platforms mentioned in this article, such as Project Gutenberg, Open Library, Academia.edu, and Issuu, provide access to a vast collection of PDF files. However, users should always be cautious and verify the legality of the source before downloading 2006 Subaru Baja Owners Manual Set any PDF files. With these platforms, the world of PDF downloads is just a click away.

### **FAQs About 2006 Subaru Baja Owners Manual Set Books**

**What is a 2006 Subaru Baja Owners Manual Set PDF?** A PDF (Portable Document Format) is a file format developed by Adobe that preserves the layout and formatting of a document, regardless of the software, hardware, or operating system

used to view or print it. **How do I create a 2006 Subaru Baja Owners Manual Set PDF?** There are several ways to create a PDF: Use software like Adobe Acrobat, Microsoft Word, or Google Docs, which often have built-in PDF creation tools. Print to PDF: Many applications and operating systems have a "Print to PDF" option that allows you to save a document as a PDF file instead of printing it on paper. Online converters: There are various online tools that can convert different file types to PDF. **How do I edit a 2006 Subaru Baja Owners Manual Set PDF?** Editing a PDF can be done with software like Adobe Acrobat, which allows direct editing of text, images, and other elements within the PDF. Some free tools, like PDFescape or Smallpdf, also offer basic editing capabilities. **How do I convert a 2006 Subaru Baja Owners Manual Set PDF to another file format?** There are multiple ways to convert a PDF to another format: Use online converters like Smallpdf, Zamzar, or Adobe Acrobats export feature to convert PDFs to formats like Word, Excel, JPEG, etc. Software like Adobe Acrobat, Microsoft Word, or other PDF editors may have options to export or save PDFs in different formats. **How do I password-protect a 2006 Subaru Baja Owners Manual Set PDF?** Most PDF editing software allows you to add password protection. In Adobe Acrobat, for instance, you can go to "File" -> "Properties" -> "Security" to set a password to restrict access or editing capabilities. Are there any free alternatives to Adobe Acrobat for working with PDFs? Yes, there are many free alternatives for working with PDFs, such as: LibreOffice: Offers PDF editing features. PDFsam: Allows splitting, merging, and editing PDFs. Foxit Reader: Provides basic PDF viewing and editing capabilities. How do I compress a PDF file? You can use online tools like Smallpdf, ILovePDF, or desktop software like Adobe Acrobat to compress PDF files without significant quality loss. Compression reduces the file size, making it easier to share and download. Can I fill out forms in a PDF file? Yes, most PDF viewers/editors like Adobe Acrobat, Preview (on Mac), or various online tools allow you to fill out forms in PDF files by selecting text fields and entering information. Are there any restrictions when working with PDFs? Some PDFs might have restrictions set by their creator, such as password protection, editing restrictions, or print restrictions. Breaking these restrictions might require specific software or tools, which may or may not be legal depending on the circumstances and local laws.

### **Find 2006 Subaru Baja Owners Manual Set :**

~~final-exam-applied-math-answers~~

**ffa poultry judging cde test**

[fire administrative assistant written test](#)

[fee structure for plumbing at kisumu politechnic](#)

[finding pollution solutions section 13 3](#)

**faculty of nursing at arwyp**



[fees for bsc clinical medicine at mount kenya university](#)

**florida collections textbook books and aswerr**

[fiat 180 90 manual](#)

**factoring algebra 2 hs mathematics unit 05 lesson 01**

[fapsp red cross test](#)

[fitter question paper pdf](#)

[fiat ducato repair manuals 2002](#)

**financial literacy study guide answers**

[family reunion prayer sample](#)

**2006 Subaru Baja Owners Manual Set :**

[design to grow how coca cola learned to combine scale and](#) - Oct 29 2021

**design to grow how coca cola learned to combine scale and** - Apr 03 2022

web 2 [design to grow how coca cola learned to combine scale and agility and how you can too](#) 2023 07 13 has billed itself as the world s beverage uniting all colors and

**design to grow how coca cola learned to combine scale and** - May 04 2022

web [design to grow how coca cola learned to combine scale and agility and how you can too](#) a literary masterpiece that delves deep in to the significance of words and their

[design to grow how coca cola learned to combine scale and](#) - Jul 18 2023

web feb 10 2015 david butler linda tischler penguin books limited feb 10 2015 business economics 256 pages 0 reviews reviews aren t verified but google checks for and

*design to grow how coca cola learned to combine scale and* - Mar 14 2023

web [design to grow how coca cola learned to combine scale agility and how you can too](#) buy this book [design to grow how coca cola learned to combine](#)

**design to grow how coca cola learned to combine scale and** - Aug 07 2022

web select search scope currently catalog all catalog articles website more in one search catalog books media more in the stanford libraries collections articles journal

**design to grow book by david butler linda tischler official** - Feb 13 2023

web mar 1 2021 amazon com [design to grow how coca cola learned to combine scale and agility and how you can too](#)

9798200017904 david butler linda tischler

*design to grow how coca cola learned to combine scale* - Oct 09 2022

web english xiv 237 pages 24 cm expert advice from coca cola s vice president of innovation and entrepreneurship learn how coca cola uses design to grow its

*design to grow how coca cola learned to combine* - Jun 17 2023

web expert advice from coca cola s vice president of innovation and entrepreneurship learn how coca cola uses design to grow its business by combining the advantages of

**design to grow how coca cola learned to combine scale and** - Nov 10 2022

web seamlessly combine scale and agility if you can come up with fresh business ideas and then scale them successfully the future looks very bright you re positioned to excel

*design to grow how coca cola learned to combine scale and* - May 16 2023

web feb 26 2015 buy design to grow how coca cola learned to combine scale and agility and how you can too by butler david tischler linda isbn 9780241198377

**design to grow how coca cola learned to combine** - Sep 20 2023

web feb 10 2015 expert advice from coca cola s vice president of innovation and entrepreneurship learn how coca cola uses design to grow its business by

**design to grow how coca cola learned to combine scale** - Jun 05 2022

web tomorrow s business winners regardless of size or industry will be the ones that know how to combine scale with agility in design to grow a coca cola senior executive

*how coca cola learned to combine scale agility and how* - Sep 08 2022

web in design to grow cocacolas vice president of innovation and entrepreneurship reveals the megabrands innovative approach to business through design scale and agility are

*design to grow how coca cola learned to combine scale and* - Mar 02 2022

web john wiley sons the must read summary of david butler and linda tischler s book design to grow how coca cola learned to combine scale agility and how

*design to grow how coca cola learned to combine scale and* - Aug 19 2023

web feb 23 2016 expert advice from coca cola s vice president of innovation and entrepreneurship learn how the world s largest beverage brand uses design to grow

**design to grow how coca cola learned to combine scale and** - Dec 31 2021

web feb 4 2016 david butler linda tischler penguin books limited feb 4 2016 entrepreneurship 256 pages tomorrow s

business winners need two things scale and

*design to grow how coca cola learned to combine scale and* - Feb 01 2022

web feb 23 2016 expert advice from coca cola s vice president of innovation and entrepreneurship learn how the world s largest beverage brand uses design to grow

design to grow how coca cola learned to combine scale and - Nov 29 2021

design to grow how coca cola learned to combine scale and - Apr 15 2023

web how coca cola learned to combine scale and agility and how you can too by david butler and linda tischler trade paperback list price 17 99 price may

**amazon com design to grow how coca cola learned to** - Dec 11 2022

web buy design to grow how coca cola learned to combine scale agility and how you can too unabridged by butler david tischler linda berkrot peter isbn

design to grow how coca cola learned to combine scale and - Jul 06 2022

web design to grow how coca cola learned to combine scale and agility and how you can too audible audiobook unabridged david butler author peter berkrot

**design to grow how coca cola learned to combine scale** - Jan 12 2023

web design to grow how coca cola learned to combine scale and agility and how you can too butler david tischler linda 9781451676266 books amazon ca

**fundamentals of investing 11th edition amazon com** - Aug 07 2023

web jan 1 2010 fundamentals of investing rental edition 337 50 3 only 1 left in stock order soon fundamentals of investing helps students make informed investment decisions in their personal and professional lives by providing a solid foundation of core concepts and tools

**fundamentals of investing lawrence j gitman michael d joehnk** - Jun 05 2023

web jan 15 2010 lawrence j gitman michael d joehnk scott b smart prentice hall jan 15 2010 investments 597 pages fundamentals of investing helps students make informed investment decisions

**fundamentals of investing pearson series in finance** - Oct 29 2022

web jan 21 2016 fundamentals of investing helps individuals make informed investment decisions by providing a solid foundation of core concepts and tools smart gitman and joehnk use practical hands on applications to introduce the topics and techniques used by both personal investors and money managers

fundamentals of investing lawrence j gitman michael d joehnk - Aug 27 2022

web nov 29 2010 fundamentals of investing lawrence j gitman michael d joehnk scott smart pearson education limited nov 29 2010 business economics 672 pages myfinancelab student survey results

fundamentals of investing lawrence j gitman michael d joehnk - Mar 02 2023

web authorised adaptation from the united states edition entitled fundamentals of investing 11th edition isbn 0131611704x by gitman lawrence j joehnk michael d smart scott published by pearson education inc publishing as prentice hall copyright 2008 includes bibliographical references and index

**fundamentals of investing global edition softcover abebooks** - Nov 29 2022

web fundamentals of investing global edition by scott smart lawrence gitman michael joehnk isbn 10 1292153989 isbn 13 9781292153988 pearson 2016 softcover fundamentals of investing global edition scott smart lawrence gitman michael joehnk 9781292153988 abebooks

**fundamentals of investing scott b smart lawrence j gitman** - Jul 26 2022

web jan 15 2016 fundamentals of investing scott b smart lawrence j gitman michael d joehnk pearson education jan 15 2016 business economics 672 pages for undergraduate courses in

*fundamentals of investing 11th edition solutions and answers* - Sep 27 2022

web find step by step solutions and answers to fundamentals of investing 9780136117049 as well as thousands of textbooks so you can move forward with confidence

**fundamentals of investing lawrence j gitman scott b smart** - May 24 2022

web jul 5 2016 fundamentals of investing helps students make informed investment decisions by providing a solid foundation of core concepts and tools smart gitman joehnk use practical hands on

**fundamentals of investing gitman lawrence j free** - Dec 31 2022

web fundamentals of investing by gitman lawrence j publication date 2005 topics investments investments problems exercises etc publisher boston pearson addison wesley

*pdf fundamentals of investing semantic scholar* - Oct 09 2023

web fundamentals of investing l j gitman michael d joehnk 2 authors sue wright published 1981 economics biology business tldr this chapter discusses the investment environment investing in fixed income securities and the importance of conceptual tools in the development of a portfolio expand

**fundamentals of investing international edition 11 e with** - Sep 08 2023

web fundamentals of investing international edition 11 e with myfinancelab access card and etext gitman lawrence j joehnk michael d smart scott b amazon com tr kitap

*fundamentals of investing rent 9780136117049 chegg com* - Feb 01 2023

web jan 15 2010 rent fundamentals of investing 11th edition 978 0136117049 today or search our site for other textbooks by michael d joehnk every textbook comes with a 21 day any reason guarantee published by prentice hall fundamentals of investing 11th edition solutions are available for this textbook

**fundamentals of investing scott b smart lawrence j gitman** - Mar 22 2022

web fundamentals of investing scott b smart lawrence j gitman michael d joehnk pearson 2014 investments 672 pages intended primarily for undergraduate college university courses in

fundamentals of investing by gitman lawrence j open library - Jun 24 2022

web fundamentals of investing by gitman lawrence j michael d joehnk 2012 pearson education limited edition in english fundamentals of investing gitman lawrence j free - Apr 22 2022

web fundamentals of investing gitman lawrence j free download borrow and streaming internet archive

fundamentals of investing pearson - Jul 06 2023

web title fundamentals of investing scott b smart chad j zutter description fourteenth edition new york ny pearson 2020 series pearson series of finance revised edition of fundamentals of investing 2017 includes glossary and index identifiers lccn 2018042983 isbn 9780135175217 isbn 0135175216

fundamentals of investing gitman lawrence j joehnk - May 04 2023

web mar 1 2002 fundamentals of investing gitman lawrence j joehnk michael d 9780321088086 amazon com books skip to main content michael d joehnk the eleventh edition addresses the current financial crisis and

**fundamentals of investing pearson** - Feb 18 2022

web jan 22 2016 fundamentals of investing i m a student i m an educator fundamentals of investing 13th edition published by pearson january 21 2016 2017 scott b smart indiana university lawrence j gitman michael d joehnk retired arizona state university products list loose leaf fundamentals of investing isbn 13 9780134083728

**fundamentals of investing 11th edition gitman lawrence j joehnk** - Apr 03 2023

web jan 15 2010 fundamentals of investing helps students make informed investment decisions in their personal and professional lives by providing a solid foundation of core concepts and tools gitman joehnk smart use practical hands on applications to introduce the topics and techniques used by both personal investors and money managers

*stability of structures new jersey institute of technology* - May 21 2023

web an understanding of structural stability is a special branch of engineering mechanics of importance to structural engineers whose job is to design safe structures in a

**principles of structural stability theory amazon com** - Oct 02 2021

*alexander chaje principles of structural stability theory 1974* - Sep 25 2023

web oct 12 2016 topics alexander chaje principles of structural stability theory 1974 collection opensource science  
adddate 2016 10 12 13 03 56 identifier alexanderchajepinciplesofstructuralstabilitytheory1974

**principles of structural stability springerlink** - Feb 18 2023

web principles of structural stability theory alexander chajes google books alexander chajes waveland press 1993 buckling  
mechanics 336 pages 0 reviews reviews

*principles of structural stability theory worldcat org* - May 09 2022

web price 14 25 add to cart this is an introductory book on the subject of structural stability its aim is to provide a detailed  
treatment of the buckling characteristics of

principles of structural stability by a chajes 1974 pdf scribd - Jun 22 2023

web principles of structural stability by a chajes 1974 uploaded by jonathanbp92 copyright attribution non commercial by nc  
available formats download as pdf

stability of a structure article about stability of a structure by - Feb 06 2022

web oct 25 2023 here  $r$  and  $k_b$  are the universal gas constant and boltzman constant respectively  $\Delta s$  is the change of  
entropy for hydrogen molecules from the gas to liquid

principles of structural stability theory amazon com - Nov 15 2022

web may 10 2023 history edit an edition of principles of structural stability theory 1974 principles of structural stability  
theory by alexander chajes 0 ratings 0 want to

**principles of structural stability theory open library** - Mar 19 2023

web principles of structural stability theory by alexander chajes 0 ratings 0 want to read 0 currently reading 0 have read this  
edition doesn't have a description yet can you

**principles of structural stability theory goodreads** - Jul 11 2022

web principles of structural stability theory worldcat org 1 reviews author alexander chajes print book english 1974 edition  
view all formats and editions publisher

*principles of structural stability theory open library* - Sep 13 2022

web jan 1 1974 principles of structural stability theory by alexander chajes goodreads jump to ratings and reviews want to  
read buy on amazon rate this book principles

*principles of structural stability theory pdf download* - Mar 07 2022

web structural stability stræk chær əl stə bil əd ē mathematics property of a differentiable flow on a compact manifold whose  
orbit structure is insensitive to small perturbations in

**structural stability theory and practice wiley online books** - Aug 24 2023

web dec 15 2020 discover the theory of structural stability and its applications in crucial areas in engineering structural stability theory and practice buckling of columns

**frontiers first principles study of li doped planar g c3n5 as** - Dec 04 2021

**structural stability article about structural stability by the free** - Jan 05 2022

web this is an introductory book on the subject of structural stability its aim is to provide a detailed treatment of the buckling characteristics of various structural elements and to

**principles of structural stability theory engineering books** - Jun 10 2022

web structural stability of the system provides a justification for applying the qualitative theory of dynamical systems to analysis of concrete physical systems the idea of such

[structural stability wikipedia](#) - Apr 08 2022

web the ability of a structure to withstand the action of forces attempting to drive it out of a state of equilibrium one of the primary requirements imposed on structures is that they

**principles of structural stability theory engineering books** - Nov 03 2021

*structural stability theory and implementation google* - Dec 16 2022

web dec 15 2020 summary theory of plate bending is described to review the subject partial differential equations representing various edge conditions are derived for the buckling of

**principles of structural stability theory google books** - Jan 17 2023

web structural stability theory and implementation is a practical work that provides engineers and students in structural engineering or structured mechanics with the background

**principles of structural stability theory civil engineering and** - Aug 12 2022

web this is an introductory book on the subject of structural stability its aim is to provide a detailed treatment of the buckling characteristics of various structural elements and to

**fundamentals of stability theory wiley** - Jul 23 2023

web an understanding of stability theory or the mechanics of why structures or structural members become unstable is a particular subset of engineering mechanics of

**principles of structural stability theory google books** - Apr 20 2023

web principles of structural stability theory alexander chajes prentice hall 1974 buckling mechanics 336 pages

buckling of plates structural stability theory and practice - Oct 14 2022

web principles of structural stability theory civil engineering and engineering mechanics series civil engineering and engineering mechanics series n m