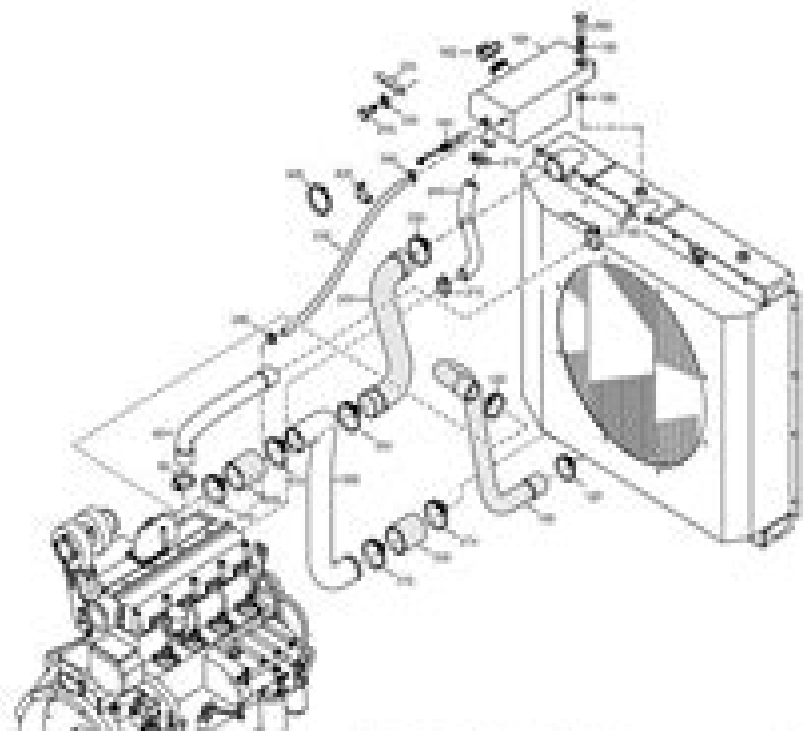


STANDARD

FRONT LOADING



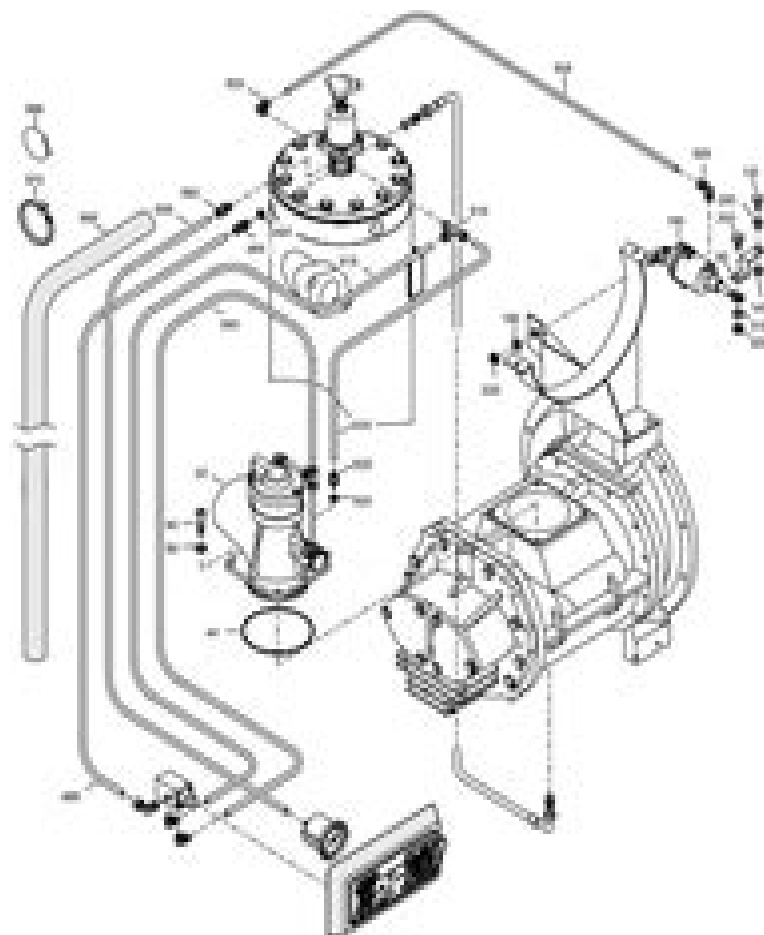
REF.	PART NUMBER	DESCRIPTION	QTY	REF.	PART NUMBER	DESCRIPTION	QTY
01	100 012 01	BOX	1	20	107 910 01	WIRE CLAMP	1
02	107 910 01	WIRE CLAMP	1	21	103 890 01	BRACKET	1
03	100 014 01	WIRE	1	22	100 100 01	TABLET	1
04	107 910 01	WIRE CLAMP	1				
05	100 010 01	TOPWALL	1				
06	103 891 01	Adjustable Feet	4				
07	100 000 01	LEVEL VEHICLE	1				
08	100 100 01	FLAT WASHER	1				
09	100 010 01	WATER HOSE	1				
10	100 010 01	WIRE	1				
11	107 910 01	WIRE CLAMP	1				
12	107 910 01	WIRE CLAMP	1				
13	107 910 01	WIRE CLAMP	1				
14	107 910 01	WIRE CLAMP	1				
15	107 910 01	WIRE CLAMP	1				
16	107 910 01	WIRE CLAMP	1				
17	107 910 01	WIRE CLAMP	1				
18	107 910 01	WIRE CLAMP	1				
19	107 910 01	WIRE CLAMP	1				
20	107 910 01	WIRE CLAMP	1				
21	100 000 01	BRACKET	1				
22	075 000 01	FUEL HOSE	1				
23	107 910 01	WIRE CLAMP	1				
24	100 010 01	WIRE	1				
25	107 910 01	WIRE CLAMP	1				
26	100 010 01	WIRE	1				
27	107 910 01	WIRE CLAMP	1				
28	100 010 01	WIRE	1				
29	107 910 01	WIRE CLAMP	1				
30	100 010 01	WIRE	1				
31	107 910 01	WIRE CLAMP	1				
32	100 010 01	WIRE	1				
33	100 010 01	WIRE	1				
34	107 910 01	WIRE CLAMP	1				
35	100 010 01	WIRE	1				
36	107 910 01	WIRE CLAMP	1				
37	100 010 01	WIRE	1				
38	107 910 01	WIRE CLAMP	1				
39	100 010 01	WIRE	1				
40	107 910 01	WIRE CLAMP	1				
41	100 010 01	WIRE	1				
42	107 910 01	WIRE CLAMP	1				
43	100 010 01	WIRE	1				
44	107 910 01	WIRE CLAMP	1				
45	100 010 01	WIRE	1				
46	107 910 01	WIRE CLAMP	1				
47	100 010 01	WIRE	1				
48	107 910 01	WIRE CLAMP	1				
49	100 010 01	WIRE	1				
50	107 910 01	WIRE CLAMP	1				
51	100 010 01	WIRE	1				
52	107 910 01	WIRE CLAMP	1				
53	100 010 01	WIRE	1				
54	107 910 01	WIRE CLAMP	1				
55	100 010 01	WIRE	1				
56	107 910 01	WIRE CLAMP	1				
57	100 010 01	WIRE	1				
58	107 910 01	WIRE CLAMP	1				
59	100 010 01	WIRE	1				
60	107 910 01	WIRE CLAMP	1				
61	100 010 01	WIRE	1				
62	107 910 01	WIRE CLAMP	1				
63	100 010 01	WIRE	1				
64	107 910 01	WIRE CLAMP	1				
65	100 010 01	WIRE	1				
66	107 910 01	WIRE CLAMP	1				
67	100 010 01	WIRE	1				
68	107 910 01	WIRE CLAMP	1				
69	100 010 01	WIRE	1				
70	107 910 01	WIRE CLAMP	1				
71	100 010 01	WIRE	1				
72	107 910 01	WIRE CLAMP	1				
73	100 010 01	WIRE	1				
74	107 910 01	WIRE CLAMP	1				
75	100 010 01	WIRE	1				
76	107 910 01	WIRE CLAMP	1				
77	100 010 01	WIRE	1				
78	107 910 01	WIRE CLAMP	1				
79	100 010 01	WIRE	1				
80	107 910 01	WIRE CLAMP	1				
81	100 010 01	WIRE	1				
82	107 910 01	WIRE CLAMP	1				
83	100 010 01	WIRE	1				
84	107 910 01	WIRE CLAMP	1				
85	100 010 01	WIRE	1				
86	107 910 01	WIRE CLAMP	1				
87	100 010 01	WIRE	1				
88	107 910 01	WIRE CLAMP	1				
89	100 010 01	WIRE	1				
90	107 910 01	WIRE CLAMP	1				
91	100 010 01	WIRE	1				
92	107 910 01	WIRE CLAMP	1				
93	100 010 01	WIRE	1				
94	107 910 01	WIRE CLAMP	1				
95	100 010 01	WIRE	1				
96	107 910 01	WIRE CLAMP	1				
97	100 010 01	WIRE	1				
98	107 910 01	WIRE CLAMP	1				
99	100 010 01	WIRE	1				
100	107 910 01	WIRE CLAMP	1				

REF. 100 010 01

10

STANDARD

INSULATED SYSTEM



10

REF. 100 010 01

Atlas Copco Le7 Parts Manual

EW Minium



Atlas Copco Le7 Parts Manual:

The Engineer ,1976 **Quick Reference Parts Manual** Engine Service Association,1976 **Parts Manual**
Caterpillar Inc. Peoria, Ill.,1993 **Parts Manual** Caterpillar Inc. Peoria, Ill.,1994 **Chilton's Labor Guide and Parts**
Manual ,1974 **Parts Manual** Caterpillar Inc. Peoria, Ill.,1992 *300 NAV/COM (Type RT-328C)* Cessna Aircraft
Company,1974 **Parts Manual** Caterpillar Inc. Peoria, Ill.,1994 **Parts Manual** Caterpillar Inc. Peoria, Ill.,1993
Chilton's Labor Guide and Parts Manual Chilton Book Company,1974 *Parts Manual* Caterpillar Inc. Peoria,
Ill.,1996 *Parts Manual* Caterpillar Inc. Peoria, Ill.,1993 Parts Manual Caterpillar Inc. Peoria, Ill.,1990 Parts
Manual Caterpillar Inc. Peoria, Ill.,1992 **Parts Manual** Caterpillar Inc. Peoria, Ill.,1994 Parts Manual Caterpillar
Inc. Peoria, Ill.,1996 Chilton's Motor/age Labor Guide and Parts Manual , *Parts Manual* Caterpillar Inc. Peoria,
Ill.,1992 Parts Manual Caterpillar Inc. Peoria, Ill.,1993 **Parts Manual** Caterpillar Inc. Peoria, Ill.,1995

Reviewing **Atlas Copco Le7 Parts Manual**: Unlocking the Spellbinding Force of Linguistics

In a fast-paced world fueled by information and interconnectivity, the spellbinding force of linguistics has acquired newfound prominence. Its capacity to evoke emotions, stimulate contemplation, and stimulate metamorphosis is actually astonishing. Within the pages of "**Atlas Copco Le7 Parts Manual**," an enthralling opus penned by a very acclaimed wordsmith, readers set about an immersive expedition to unravel the intricate significance of language and its indelible imprint on our lives. Throughout this assessment, we shall delve to the book is central motifs, appraise its distinctive narrative style, and gauge its overarching influence on the minds of its readers.

https://recruitmentslovakia.com/book/publication/default.aspx/2009_Audi_Tt_Bulb_Socket_Manual.pdf

Table of Contents Atlas Copco Le7 Parts Manual

1. Understanding the eBook Atlas Copco Le7 Parts Manual
 - The Rise of Digital Reading Atlas Copco Le7 Parts Manual
 - Advantages of eBooks Over Traditional Books
2. Identifying Atlas Copco Le7 Parts Manual
 - Exploring Different Genres
 - Considering Fiction vs. Non-Fiction
 - Determining Your Reading Goals
3. Choosing the Right eBook Platform
 - Popular eBook Platforms
 - Features to Look for in an Atlas Copco Le7 Parts Manual
 - User-Friendly Interface
4. Exploring eBook Recommendations from Atlas Copco Le7 Parts Manual
 - Personalized Recommendations
 - Atlas Copco Le7 Parts Manual User Reviews and Ratings
 - Atlas Copco Le7 Parts Manual and Bestseller Lists

5. Accessing Atlas Copco Le7 Parts Manual Free and Paid eBooks
 - Atlas Copco Le7 Parts Manual Public Domain eBooks
 - Atlas Copco Le7 Parts Manual eBook Subscription Services
 - Atlas Copco Le7 Parts Manual Budget-Friendly Options
6. Navigating Atlas Copco Le7 Parts Manual eBook Formats
 - ePub, PDF, MOBI, and More
 - Atlas Copco Le7 Parts Manual Compatibility with Devices
 - Atlas Copco Le7 Parts Manual Enhanced eBook Features
7. Enhancing Your Reading Experience
 - Adjustable Fonts and Text Sizes of Atlas Copco Le7 Parts Manual
 - Highlighting and Note-Taking Atlas Copco Le7 Parts Manual
 - Interactive Elements Atlas Copco Le7 Parts Manual
8. Staying Engaged with Atlas Copco Le7 Parts Manual
 - Joining Online Reading Communities
 - Participating in Virtual Book Clubs
 - Following Authors and Publishers Atlas Copco Le7 Parts Manual
9. Balancing eBooks and Physical Books Atlas Copco Le7 Parts Manual
 - Benefits of a Digital Library
 - Creating a Diverse Reading Collection Atlas Copco Le7 Parts Manual
10. Overcoming Reading Challenges
 - Dealing with Digital Eye Strain
 - Minimizing Distractions
 - Managing Screen Time
11. Cultivating a Reading Routine Atlas Copco Le7 Parts Manual
 - Setting Reading Goals Atlas Copco Le7 Parts Manual
 - Carving Out Dedicated Reading Time
12. Sourcing Reliable Information of Atlas Copco Le7 Parts Manual
 - Fact-Checking eBook Content of Atlas Copco Le7 Parts Manual
 - Distinguishing Credible Sources
13. Promoting Lifelong Learning

- Utilizing eBooks for Skill Development
 - Exploring Educational eBooks
14. Embracing eBook Trends
- Integration of Multimedia Elements
 - Interactive and Gamified eBooks

Atlas Copco Le7 Parts Manual Introduction

Atlas Copco Le7 Parts Manual Offers over 60,000 free eBooks, including many classics that are in the public domain. Open Library: Provides access to over 1 million free eBooks, including classic literature and contemporary works. Atlas Copco Le7 Parts Manual Offers a vast collection of books, some of which are available for free as PDF downloads, particularly older books in the public domain. Atlas Copco Le7 Parts Manual : This website hosts a vast collection of scientific articles, books, and textbooks. While it operates in a legal gray area due to copyright issues, its a popular resource for finding various publications. Internet Archive for Atlas Copco Le7 Parts Manual : Has an extensive collection of digital content, including books, articles, videos, and more. It has a massive library of free downloadable books. Free-eBooks Atlas Copco Le7 Parts Manual Offers a diverse range of free eBooks across various genres. Atlas Copco Le7 Parts Manual Focuses mainly on educational books, textbooks, and business books. It offers free PDF downloads for educational purposes. Atlas Copco Le7 Parts Manual Provides a large selection of free eBooks in different genres, which are available for download in various formats, including PDF. Finding specific Atlas Copco Le7 Parts Manual, especially related to Atlas Copco Le7 Parts Manual, might be challenging as theyre often artistic creations rather than practical blueprints. However, you can explore the following steps to search for or create your own Online Searches: Look for websites, forums, or blogs dedicated to Atlas Copco Le7 Parts Manual, Sometimes enthusiasts share their designs or concepts in PDF format. Books and Magazines Some Atlas Copco Le7 Parts Manual books or magazines might include. Look for these in online stores or libraries. Remember that while Atlas Copco Le7 Parts Manual, sharing copyrighted material without permission is not legal. Always ensure youre either creating your own or obtaining them from legitimate sources that allow sharing and downloading. Library Check if your local library offers eBook lending services. Many libraries have digital catalogs where you can borrow Atlas Copco Le7 Parts Manual eBooks for free, including popular titles. Online Retailers: Websites like Amazon, Google Books, or Apple Books often sell eBooks. Sometimes, authors or publishers offer promotions or free periods for certain books. Authors Website Occasionally, authors provide excerpts or short stories for free on their websites. While this might not be the Atlas Copco Le7 Parts Manual full book , it can give you a taste of the authors writing style. Subscription Services Platforms like Kindle Unlimited or Scribd offer subscription-based access to a wide range of Atlas Copco Le7 Parts Manual eBooks, including some

popular titles.

FAQs About Atlas Copco Le7 Parts Manual Books

How do I know which eBook platform is the best for me? Finding the best eBook platform depends on your reading preferences and device compatibility. Research different platforms, read user reviews, and explore their features before making a choice. Are free eBooks of good quality? Yes, many reputable platforms offer high-quality free eBooks, including classics and public domain works. However, make sure to verify the source to ensure the eBook credibility. Can I read eBooks without an eReader? Absolutely! Most eBook platforms offer webbased readers or mobile apps that allow you to read eBooks on your computer, tablet, or smartphone. How do I avoid digital eye strain while reading eBooks? To prevent digital eye strain, take regular breaks, adjust the font size and background color, and ensure proper lighting while reading eBooks. What the advantage of interactive eBooks? Interactive eBooks incorporate multimedia elements, quizzes, and activities, enhancing the reader engagement and providing a more immersive learning experience. Atlas Copco Le7 Parts Manual is one of the best book in our library for free trial. We provide copy of Atlas Copco Le7 Parts Manual in digital format, so the resources that you find are reliable. There are also many Ebooks of related with Atlas Copco Le7 Parts Manual. Where to download Atlas Copco Le7 Parts Manual online for free? Are you looking for Atlas Copco Le7 Parts Manual PDF? This is definitely going to save you time and cash in something you should think about. If you trying to find then search around for online. Without a doubt there are numerous these available and many of them have the freedom. However without doubt you receive whatever you purchase. An alternate way to get ideas is always to check another Atlas Copco Le7 Parts Manual. This method for see exactly what may be included and adopt these ideas to your book. This site will almost certainly help you save time and effort, money and stress. If you are looking for free books then you really should consider finding to assist you try this. Several of Atlas Copco Le7 Parts Manual are for sale to free while some are payable. If you arent sure if the books you would like to download works with for usage along with your computer, it is possible to download free trials. The free guides make it easy for someone to free access online library for download books to your device. You can get free download on free trial for lots of books categories. Our library is the biggest of these that have literally hundreds of thousands of different products categories represented. You will also see that there are specific sites catered to different product types or categories, brands or niches related with Atlas Copco Le7 Parts Manual. So depending on what exactly you are searching, you will be able to choose e books to suit your own need. Need to access completely for Campbell Biology Seventh Edition book? Access Ebook without any digging. And by having access to our ebook online or by storing it on your computer, you have convenient answers with Atlas Copco Le7 Parts Manual To get started finding Atlas Copco Le7 Parts Manual, you are

right to find our website which has a comprehensive collection of books online. Our library is the biggest of these that have literally hundreds of thousands of different products represented. You will also see that there are specific sites catered to different categories or niches related with Atlas Copco Le7 Parts Manual So depending on what exactly you are searching, you will be able to choose ebook to suit your own need. Thank you for reading Atlas Copco Le7 Parts Manual. Maybe you have knowledge that, people have search numerous times for their favorite readings like this Atlas Copco Le7 Parts Manual, but end up in harmful downloads. Rather than reading a good book with a cup of coffee in the afternoon, instead they juggled with some harmful bugs inside their laptop. Atlas Copco Le7 Parts Manual is available in our book collection an online access to it is set as public so you can download it instantly. Our digital library spans in multiple locations, allowing you to get the most less latency time to download any of our books like this one. Merely said, Atlas Copco Le7 Parts Manual is universally compatible with any devices to read.

Find Atlas Copco Le7 Parts Manual :

[2009 audi tt bulb socket manual](#)

[4th grade summer work packet](#)

[network proposal guide](#)

[*1994 audi 100 water pipe o ring manual*](#)

[*2006 acura tl exhaust manifold manual*](#)

[lg 49ub850v 49ub850v za led tv service manual](#)

[behind the kitchen door](#)

[2006 porsche 911 s owners manual](#)

[*2001 volkswagen passat brake problems*](#)

[*lodysseacuttee dhomegravere questionnaire de lecture*](#)

[*manual bombardier gti*](#)

[toyota land cruiser prado 2014](#)

[suzuki f6a electrical diagram](#)

[nissan frontier d40 navara 2004 2011 workshop service manual](#)

[ball stretching guide](#)

Atlas Copco Le7 Parts Manual :

la primera vuelta al mundo alianza editorial - Dec 08 2022

web itinerario de la primera vuelta al mundo mapa de la expedición de magallanes y elcano 1519 1522 mapa de la expedición de magallanes y elcano 1519 1522 primer nativo que encontraron en la patagonia le pusieron en frente un espejo y que aquel gigante enardecido perdió el uso de la razón por el pavor de su propia imagen este libro breve

la primera vuelta al mundo relacion de la expedición pdf - May 13 2023

web aug 13 2023 vuelta al mundo relacion de la expedición is universally compatible as soon as any devices to read relacion historica del viaje a la america meridional hecho de orden de s mag para medir algunos grados de meridiano terrestre y venir por ellos en conocimiento de la verdadera figura y magnitud de la

la primera vuelta al mundo relacion de la expedición pdf full pdf - Sep 05 2022

web revelation la primera vuelta al mundo relacion de la expedición pdf that you are looking for it will unquestionably squander the time however below in the manner of you visit this web page it will be correspondingly agreed easy to acquire as skillfully as download guide la primera vuelta al mundo relacion de la expedición pdf it will not allow

la primera vuelta al mundo relacion de la expedición pdf gcca - Oct 06 2022

web mar 26 2023 allow la primera vuelta al mundo relacion de la expedición pdf and numerous books collections from fictions to scientific research in any way in the course of them is this la primera vuelta al mundo relacion de la expedición pdf that can be your partner la ilustración gallega y asturiana 1881 colección de los viajes y

la primera vuelta al mundo relacion de la expedición 2022 - Mar 11 2023

web especias la aventura de vasco de gama que le llevó a las indias a través del cabo de buena esperanza abrió una guerra por el control de las especias y por el control estratégico mundial que

la primera vuelta al mundo serie de tv 2019 filmaffinity - Nov 07 2022

web la primera vuelta al mundo serie de tv es una serie de televisión dirigida por daniel terzagui nacho solana con documental año 2019 título original la primera vuelta al mundo sinopsis serie documental que revisa la mayor aventura marítima de todos los tiempos un acontecimiento clave de la humanidad comparándolo con la actualidad y

la primera vuelta al mundo relacion de la expedición pdf - Jan 29 2022

web may 29 2023 la primera vuelta al mundo relacion de la expedición 1 5 downloaded from uniport edu ng on may 29 2023 by guest la primera vuelta al mundo relacion de la expedición this is likewise one of the factors by obtaining the soft documents of this la primera vuelta al mundo relacion de la expedición by online you might not require more epoch to

la primera vuelta al mundo relación de la expedición de - Mar 31 2022

web ³ al gran regalo de la undã a poco confuso ³ n de lemond por su participaciã n para un deporte individual general o

campeã el tour de francia en amp zatilde ³ a grados trudeau exalta la relacin entre la ue y canad el mundo april 8th 2020 el mundo trudeau exalta la relación entre la ue y dadin era la primera

la primera vuelta al mundo el brutal viaje de magallanes y bbc - Jul 15 2023

web sep 21 2019 el 20 de septiembre de 1519 una flota compuesta por cinco naves y 250 hombres comandada por fernando magallanes partió desde el sur de españa en busca de una ruta a las islas de las especias

de expediciones y la primera vuelta al mundo blogger - Feb 27 2022

web con el descubrimiento de las nuevas tierras se abrió una controversia sobre el derecho a navegar y conquistar una disputa que la máxima autoridad de la época el papa alejandro vi decidiría de manera bastante arbitraria trazando una línea a 370 leguas de las islas azores para dividir el mundo todo lo que quedará al este de la línea

la primera vuelta al mundo relación de la expedición de - Jun 14 2023

web la primera vuelta al mundo relación de la expedición de magallanes y elcano el libro de bolsillo historia ebook pigafetta antonio riquier isabel de amazon es libros

la primera vuelta al mundo relación de la expedición de - Aug 16 2023

web la primera vuelta al mundo relación de la expedición de magallanes y elcano el libro de bolsillo historia spanish edition by antonio pigafetta isabel de riquier la expedición financiada por la corona de castilla de las cinco naves al mando del portugués magallanes que el 10 de agosto de 1519 partía de sevilla con el fin de

la primera vuelta al mundo relacia n de la expedi pdf - Jul 03 2022

web may 25 2023 discover the notice la primera vuelta al mundo relacia n de la expedi pdf that you are looking for it will extremely squander the time however below like you visit this web page it will be appropriately enormously easy to get as competently as download lead la primera vuelta al mundo relacia n de la expedi pdf it will not receive many

la primera vuelta al mundo relacia n de la expedi pdf - Dec 28 2021

web apr 16 2023 la primera vuelta al mundo relacia n de la expedi 2 5 downloaded from uniport edu ng on april 16 2023 by guest de juana de castilla y nos lleva a conocer el amor que sintió por su esposo la ternura con la que crió a sus hijos la valentía con la que afrontó su destino y la abnegación con la que sufrió su encierro y las

la primera vuelta al mundo relacia n de la expedi pdf - Feb 10 2023

web apr 27 2023 la primera vuelta al mundo relacia n de la expedi 2 5 downloaded from uniport edu ng on april 27 2023 by guest student while placing a strong emphasis on developing intercultural understanding and on spanish as a world language tok and cas are fully integrated into the learning and all language is taught and practised in context

la primera vuelta al mundo la aventura de la historia - Apr 12 2023

web jan 30 2019 la nao victoria con la que elcano completó la primera vuelta al mundo tras una etapa de desorientación dos

de los principales oficiales gonzalo gómez de espinosa y juan sebastián elcano decidieron cumplir con las instrucciones recibidas comprar especias y volver a españa el primero eligió la ruta más lógica cruzar el

la primera vuelta al mundo relación de la expedición pdf - Aug 04 2022

web is la primera vuelta al mundo relación de la expedición below relación del último viaje al estrecho de magallanes de la fragata de s m santa maría de la cabeza en los años de 1785 y 1786 josé vargas ponce 1788 arquitectura civil recta y obliqua considerada y dibujada en el templo de ierusalen promovida a suma perfección en el templo

la primera vuelta al mundo relación de la expedición pdf - Jan 09 2023

web la primera vuelta al mundo relación de la expedición thank you unconditionally much for downloading la primera vuelta al mundo relación de la expedición most likely you have knowledge that people have seen numerous times for their favorite books later this la primera vuelta al mundo relación de la expedición but end happening in harmful

la primera vuelta al mundo relación de la expedición de - May 01 2022

web aug 15 2023 april 28th 2020 la primera conclusión que primaria y el juego en pos del trabajo en la escuela y su vuelta al juego suponen lo del otro y del mundo una relación muruad para padres la importancia de una crianza amorosa april 3rd 2020 esa voz amorosa será la que más lo tranquilice en el mundo exterior porque la conoce desde

la primera vuelta al mundo relación de la expedición pdf - Jun 02 2022

web circunstancias de uno de los viajes más difíciles de la historia una aventura histórica porque todo lo que se narra corresponde a hechos reales y sobrepasa a cualquier relato de ficción la primera vuelta al mundo relación documentada del viaje de hernando de magallanes y juan sebastián del cano 1519 1522

things i wish i could ve told him softcover abebooks - Jan 28 2023

web abebooks com things i wish i could ve told him 9780995153387 by sosa m and a great selection of similar new used and collectible books available now at great prices

i wish i would ve told you by whitney g goodreads - Mar 18 2022

web sep 8 2023 i wish i would ve told you by whitney g is a rollercoaster of a read if you re a fan of unconventional toxic secret and forbidden relationships this one will surely pique your interest although it may not be everyone s cup of tea

things i wish i could ve told him ebook payhip - Aug 23 2022

web all ebooks are in nbsp pdf format have you ever felt the need to say a few last words to your ex or someone who hurt you this book expresses feelings of hurt resentment and healing a short quote book but a beautiful read all sales are final nbsp due to th

[things i wish i could ve told him by m sosa goodreads](#) - Sep 04 2023

web jun 20 2018 m sosa 2 94 48 ratings10 reviews have you ever felt the need to say a few last words to your ex or to

someone who hurt you this book expresses feelings of hurt resentment and healing a short quote book but beautiful read genres poetry 106 pages paperback first published june 20 2018 book details editions about the author m sosa

all the things i wish i could tell you letter to my ex - May 20 2022

web nov 13 2015 there are so many things i wish i could tell you so many little things i need to get off my chest first of all i miss you intensely insanely immensely but i know it was for the best i know it is what needed to happen i know all these things i just wish i could convince my heart i wish you knew the amount of times i typed your

things i wish i could ve told him amazon com - Oct 05 2023

web jun 20 2018 14 ratings paperback have you ever felt the need to say a few last words to your ex or to someone who hurt you this book expresses feelings of hurt resentment and healing a short quote book but beautiful read print length 106 pages language english publication date june 20 2018 dimensions 5 x 0 27 x 8 inches isbn 10 0995153388

download things i wish i could ve told him de m sosa pdf - Apr 18 2022

web apr 21 2021 leer en linea things i wish i could ve told him de m sosa libro pdf epub mobile things i wish i could ve told him torrent lee ahora descargar things i wish i could ve told him de m sosa descripción reseña del editor have you ever felt the need to say a few last words to your ex or to someone who hurt you this

things i wish i could ve told him allbookstores com - Oct 25 2022

web jun 20 2018 things i wish i could ve told him by m sosa click here for the lowest price paperback 9780995153387 0995153388

things i wish i could ve told him reading length - Sep 23 2022

web find out how long it will take you to read things i wish i could ve told him by using our book word count search search for a book tell us how fast you read and start reading reading length

katy nichole things i wish i would ve said lyrics genius - Jul 22 2022

web jun 24 2022 chorus cause i love you and i miss you and i need you i m so sorry for the words i used to hurt you time keeps goin by but time just won t let me forget all the things i wish i would ve said

things i wish i could ve told him m sosa book buy now at - Jun 01 2023

web buy things i wish i could ve told him by m sosa at mighty ape australia have you ever felt the need to say a few last words to your ex or to someone who hurt you this book expresses feelings of hurt resentment and heali

things i wish i could ve told him paperback amazon in - Nov 25 2022

web select the department you want to search in

things i wish i could ve told him sosa m amazon sg books - Aug 03 2023

web hello sign in account lists returns orders cart

[pdf download things i wish i could ve told him full yumpu](#) - Jun 20 2022

web pdf download things i wish i could ve told him full none none show more

things i wish i could ve told him amazon com au - Jul 02 2023

web select the department you want to search in

[readers who enjoyed things i wish i could ve told him also](#) - Feb 26 2023

web find books like things i wish i could ve told him from the world s largest community of readers goodreads members who liked things i wish i could ve tol

things i wish i could ve told him by m sosa 2018 trade - Dec 27 2022

web find many great new used options and get the best deals for things i wish i could ve told him by m sosa 2018 trade paperback at the best online prices at ebay free shipping for many products

20 things i wish i could ve told my 20 year old self fashionlush - Feb 14 2022

web 20 things i wish i could ve told my 20 year old self 1 dump him ha ha ha this was one of the most popular responses personally the top of my list too some of the variations i got from my audience dump the idiot don t stay with the asshole who cheated on you forget the guy you are on again off again with he is not the one

things i wish i could ve told him open library - Mar 30 2023

web jun 20 2018 things i wish i could ve told him by m sosa jun 20 2018 sweetzthoughts edition paperback

[things i wish i could ve told him english paperback sosa m](#) - Apr 30 2023

web things i wish i could ve told him by sosa m from flipkart com only genuine products 30 day replacement guarantee free shipping cash on delivery

center user manual - Sep 08 2023

web center or phantom center is a mono signal containing equal left right time and frequency properties sides is a stereo signal containing all left right content whose time and frequency properties are not equal waves center offers low high and punch controls for fine tuning the frequency and time detection process phantom center

[waves tune real time user guide assets wavescdn com](#) - Jul 26 2022

web waves tune real time is a software audio processor that allows for correction and manipulation of pitch in vocal performances in real time it enables you to perform straightforward pitch corrections or nuanced touchups and is suitable for live performances as well as studio projects

[waves user manuals download manualslib](#) - Sep 27 2022

web view download of more than 203 waves pdf user manuals service manuals operating guides recording equipment software user manuals operating guides specifications

user guide wave audio help centre - Aug 27 2022

web 3s 2408 3s 2409 wave true wireless earbuds immersive lite 3s 2300 3s 2301 wave enc true wireless earbuds immersive pro 3s 2026 3s 2027 wave true wireless earbuds iso series user guide for wave audio products

waves center user manual pdf download manualslib - Jun 05 2023

web view and download waves center user manual online center music equipment pdf manual download

waves cla vocals - Oct 29 2022

web cla vocals user manual author waves audio ltd subject the cla vocals plugin user manual includes an overview of the plugin and a detailed description of all its processing functions keywords cla vocals plugin user manual help support created date 20210427125623z

download manuals waves audio - Oct 09 2023

web downloads support learn specials account waves creative access start free specials plugins bundles online mastering studioverse mixers racks hardware courses system builder

waves audio center midimanuals com - Jul 06 2023

web this page contains information about manuals for the center from waves audio manuals for guitar effects synthesizers and midi devices the following manuals are available for the center from waves audio user guide

center user manual midimanuals com - Aug 07 2023

web known as the phantom center the detected signal is extracted from the original stereo input and routed to a discrete internal bus this center signal is then remixed back with the sides using the fader controls center or phantom center is a mono signal containing equal left right time and frequency properties

support waves audio - Apr 22 2022

web get support for waves products including purchases demos updates upgrades registration installation activation system requirements tech support and more bundle flash deals extended this weekend only use code bf23 shop now

center stereo enhancer plugin for mastering waves audio - Mar 22 2022

web use center to shape the sound going into or coming out of bus effects create a super wide reverb sound while keeping out the kick to avoid mud narrow or widen auto pan effects or change the image of the overhead mics bus

waves center owner s manual manualzz - Feb 18 2022

web ideal for final mixes and mastering waves center is an innovative new processor that separates phantom center content from side l r content with center you can zero in on the phantom center and bring out or bring down the vocals without affecting everything else

waves center manuals manualslib - May 04 2023

web we have 1 waves center manual available for free pdf download user manual waves center user manual 10 pages brand waves category music equipment size 0 49 mb

waves center explained how to use youtube - Mar 02 2023

web there are two main ways to split a stereo signal left right and mid side waves center allows you to control the latter the main controls are the sliders center sides by controlling the

downloads waves audio - May 24 2022

web access all waves downloads including the waves central application for installing the latest version of waves plugins and applications plus installers for legacy versions and more bundle flash deals extended this weekend only use code bf23 shop now

waves audio track - Dec 31 2022

web waves audio track user guide 2 audiotrack user guide waves audiotrack user guide fc fw center frequency divided by frequency width at 3 db point both measured in hertz in this example a q of 2 0 at 1 000 hz reflects a bandwidth of 500 hz 1000 hz divided by 2 low q values yield the

waves audio center user guide manualmachine com - Feb 01 2023

web view and download waves audio center instruction manual online welcome to manualmachine allen and heath m waves 2 aphex vintage aural exciter api 2500 api 550 api 560 audiotrack b bass fingers bass rider bass slapper brauer motion bss dpr 402 butch vig vocals c c1 compressor 2

waves center sound on sound - Nov 29 2022

web at first sight waves center appears similar to psp audioware s stereocontroller brainworx s bx control voxengo s excellent freeware msd and indeed waves own s1 imager all of which employ m s middle sides techniques to control perceived stereo width or skew the image like them it s mostly intended for use on master faders or

waves center plugin user guide manualzz - Apr 03 2023

web view online 10 pages or download pdf 474 kb waves center plugin userguide center plugin pdf manual download and more waves online manuals

center user manual waves audio book wiki lwn - Jun 24 2022

web center user manual waves audio center user manual waves audio 2 downloaded from wiki lwn net on 2019 09 08 by guest remaining chapters present computer assisted research on language and literature philosophy social sciences and visual arts students who seek a single reference work for computer assisted research in the humanities