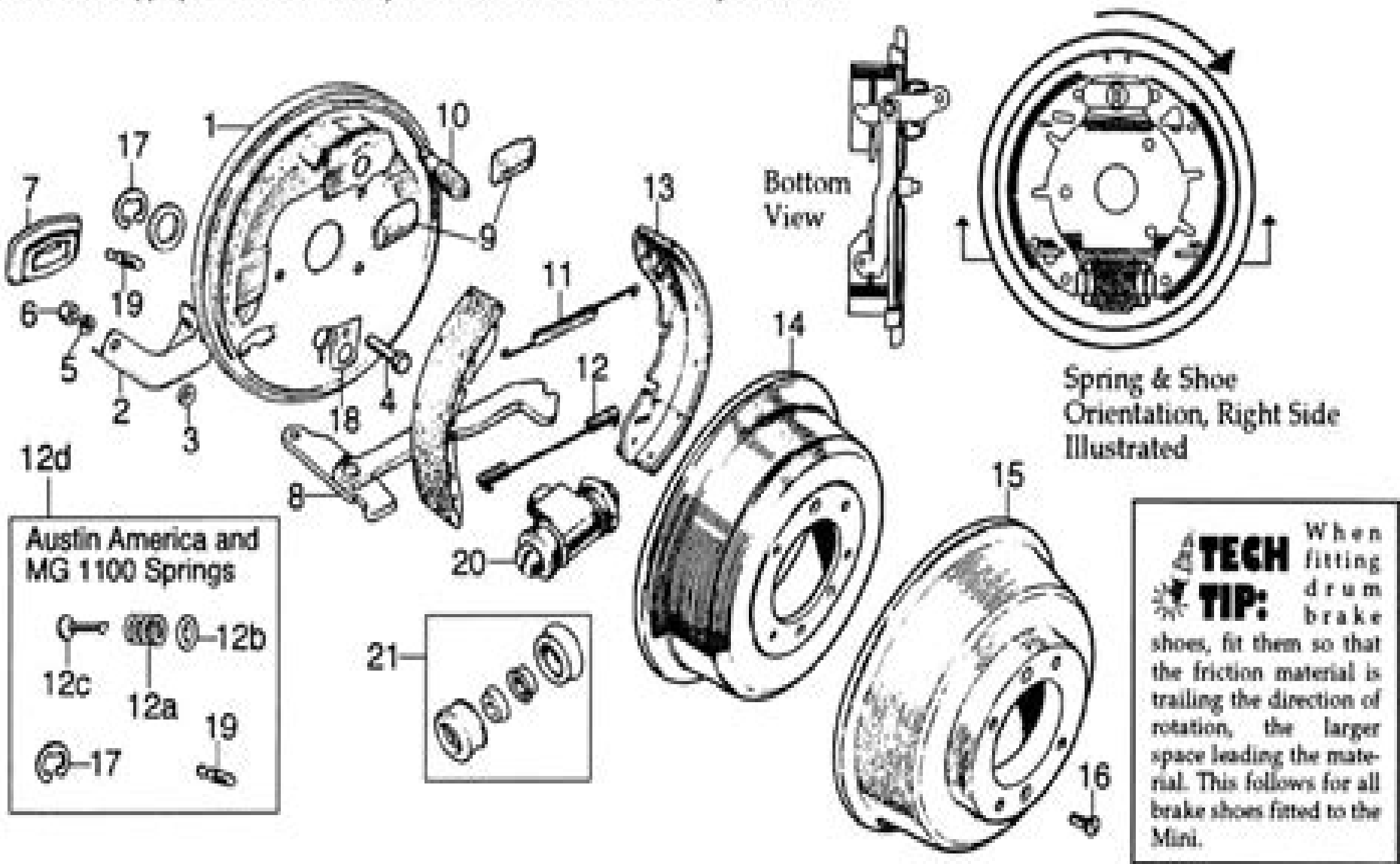


REAR BRAKES, ALL MODELS

All (classic) Minis to date have rear drum brakes with 1.25"-wide shoes. At various intervals throughout manufacture, the rear cylinder size has been changed. Identification can be made on some units by a number that is stamped onto the face next to the bore. This number, if present, is sixteenths of an inch bore diameter. If there is no number, the only recourse is to measure the bore manually. If you are unsure, and are replacing both, use the version most appropriate to the master cylinder/front brake combination in your vehicle.



55 Plymouth Drum Brake Service Manual

Shasha Hu



55 Plymouth Drum Brake Service Manual:

Raybestos Break Service Manual , Dodge Colt/Plymouth Champ Owners Workshop Manual P. G. Strasman,1983
Motor's Auto Repair Manual ,1955 *Chilton's Motor Age Flat Rate and Service Manual* ,1957 *Motor Auto Repair Manual/1980-1986* Motor (New York, N.Y.),1985-11 *Dodge Pick-ups Automotive Repair Manual* David Hayden,John Harold Haynes,1990 **Chilton's Chrysler Dodge/Plymouth Repair Manual 1988-1992** Chilton Book Company,1992
These manuals provide comprehensive repair and maintenance information on all makes and model years as indicated for each manufacturer For consumers who stick to one make of car this series will provide multi vehicle information For retailers with limited shelf space this series provides model specific coverage in only five volumes **Motor Auto Repair Manual** ,1984 Spine title Motor auto repair Provides specific instructions for the repair of cars built from 1979 to 1985 **Glenn's Auto Repair Manual** ,1956 **Chilton Chrysler Service Manual** ,2004 **Motor Imported Car Repair Manual** ,1987
Chilton's Auto Repair Manual ,1954 Chilton's Auto Repair Manual 1989-1993 ,1992-10 Documents specifications repairs and servicing procedures for individual models and provides information on component repair and overhaul **Cars & Parts** ,2001 **Dodge Caravan & Plymouth Voyager Mini-vans Owners Workshop Manual** Curt Choate,John Harold Haynes,1988 **Chilton's Auto Repair Manual 1990-1994** Chilton Automotive Books,1993 A guide to maintenance and repair of every mass produced American and Canadian car made between 1990 and 1994 *Dodge & Plymouth Vans Automotive Repair Manual* Olaf Wolff,John Harold Haynes,1991 **Chilton's Motor/age Automotive Service Manual** ,1974 *Chilton's Motor/age Professional Automotive Service Manual* ,1978 **Popular Science** ,1984-05 Popular Science gives our readers the information and tools to improve their technology and their world The core belief that Popular Science and our readers share The future is going to be better and science and technology are the driving forces that will help make it better

Ignite the flame of optimism with Crafted by is motivational masterpiece, Find Positivity in **55 Plymouth Drum Brake Service Manual** . In a downloadable PDF format (*), this ebook is a beacon of encouragement. Download now and let the words propel you towards a brighter, more motivated tomorrow.

https://recruitmentslovakia.com/public/Resources/Download_PDFS/Repair_Manual_Suzuki_Sx4_Pdf.pdf

Table of Contents 55 Plymouth Drum Brake Service Manual

1. Understanding the eBook 55 Plymouth Drum Brake Service Manual
 - The Rise of Digital Reading 55 Plymouth Drum Brake Service Manual
 - Advantages of eBooks Over Traditional Books
2. Identifying 55 Plymouth Drum Brake Service Manual
 - Exploring Different Genres
 - Considering Fiction vs. Non-Fiction
 - Determining Your Reading Goals
3. Choosing the Right eBook Platform
 - Popular eBook Platforms
 - Features to Look for in an 55 Plymouth Drum Brake Service Manual
 - User-Friendly Interface
4. Exploring eBook Recommendations from 55 Plymouth Drum Brake Service Manual
 - Personalized Recommendations
 - 55 Plymouth Drum Brake Service Manual User Reviews and Ratings
 - 55 Plymouth Drum Brake Service Manual and Bestseller Lists
5. Accessing 55 Plymouth Drum Brake Service Manual Free and Paid eBooks
 - 55 Plymouth Drum Brake Service Manual Public Domain eBooks
 - 55 Plymouth Drum Brake Service Manual eBook Subscription Services
 - 55 Plymouth Drum Brake Service Manual Budget-Friendly Options
6. Navigating 55 Plymouth Drum Brake Service Manual eBook Formats

- ePub, PDF, MOBI, and More
- 55 Plymouth Drum Brake Service Manual Compatibility with Devices
- 55 Plymouth Drum Brake Service Manual Enhanced eBook Features
- 7. Enhancing Your Reading Experience
 - Adjustable Fonts and Text Sizes of 55 Plymouth Drum Brake Service Manual
 - Highlighting and Note-Taking 55 Plymouth Drum Brake Service Manual
 - Interactive Elements 55 Plymouth Drum Brake Service Manual
- 8. Staying Engaged with 55 Plymouth Drum Brake Service Manual
 - Joining Online Reading Communities
 - Participating in Virtual Book Clubs
 - Following Authors and Publishers 55 Plymouth Drum Brake Service Manual
- 9. Balancing eBooks and Physical Books 55 Plymouth Drum Brake Service Manual
 - Benefits of a Digital Library
 - Creating a Diverse Reading Collection 55 Plymouth Drum Brake Service Manual
- 10. Overcoming Reading Challenges
 - Dealing with Digital Eye Strain
 - Minimizing Distractions
 - Managing Screen Time
- 11. Cultivating a Reading Routine 55 Plymouth Drum Brake Service Manual
 - Setting Reading Goals 55 Plymouth Drum Brake Service Manual
 - Carving Out Dedicated Reading Time
- 12. Sourcing Reliable Information of 55 Plymouth Drum Brake Service Manual
 - Fact-Checking eBook Content of 55 Plymouth Drum Brake Service Manual
 - Distinguishing Credible Sources
- 13. Promoting Lifelong Learning
 - Utilizing eBooks for Skill Development
 - Exploring Educational eBooks
- 14. Embracing eBook Trends
 - Integration of Multimedia Elements
 - Interactive and Gamified eBooks

55 Plymouth Drum Brake Service Manual Introduction

In the digital age, access to information has become easier than ever before. The ability to download 55 Plymouth Drum Brake Service Manual has revolutionized the way we consume written content. Whether you are a student looking for course material, an avid reader searching for your next favorite book, or a professional seeking research papers, the option to download 55 Plymouth Drum Brake Service Manual has opened up a world of possibilities. Downloading 55 Plymouth Drum Brake Service Manual provides numerous advantages over physical copies of books and documents. Firstly, it is incredibly convenient. Gone are the days of carrying around heavy textbooks or bulky folders filled with papers. With the click of a button, you can gain immediate access to valuable resources on any device. This convenience allows for efficient studying, researching, and reading on the go. Moreover, the cost-effective nature of downloading 55 Plymouth Drum Brake Service Manual has democratized knowledge. Traditional books and academic journals can be expensive, making it difficult for individuals with limited financial resources to access information. By offering free PDF downloads, publishers and authors are enabling a wider audience to benefit from their work. This inclusivity promotes equal opportunities for learning and personal growth. There are numerous websites and platforms where individuals can download 55 Plymouth Drum Brake Service Manual. These websites range from academic databases offering research papers and journals to online libraries with an expansive collection of books from various genres. Many authors and publishers also upload their work to specific websites, granting readers access to their content without any charge. These platforms not only provide access to existing literature but also serve as an excellent platform for undiscovered authors to share their work with the world. However, it is essential to be cautious while downloading 55 Plymouth Drum Brake Service Manual. Some websites may offer pirated or illegally obtained copies of copyrighted material. Engaging in such activities not only violates copyright laws but also undermines the efforts of authors, publishers, and researchers. To ensure ethical downloading, it is advisable to utilize reputable websites that prioritize the legal distribution of content. When downloading 55 Plymouth Drum Brake Service Manual, users should also consider the potential security risks associated with online platforms. Malicious actors may exploit vulnerabilities in unprotected websites to distribute malware or steal personal information. To protect themselves, individuals should ensure their devices have reliable antivirus software installed and validate the legitimacy of the websites they are downloading from. In conclusion, the ability to download 55 Plymouth Drum Brake Service Manual has transformed the way we access information. With the convenience, cost-effectiveness, and accessibility it offers, free PDF downloads have become a popular choice for students, researchers, and book lovers worldwide. However, it is crucial to engage in ethical downloading practices and prioritize personal security when utilizing online platforms. By doing so, individuals can make the most of the vast array of free PDF resources available and embark on a journey of continuous learning and intellectual growth.

FAQs About 55 Plymouth Drum Brake Service Manual Books

How do I know which eBook platform is the best for me? Finding the best eBook platform depends on your reading preferences and device compatibility. Research different platforms, read user reviews, and explore their features before making a choice. Are free eBooks of good quality? Yes, many reputable platforms offer high-quality free eBooks, including classics and public domain works. However, make sure to verify the source to ensure the eBook credibility. Can I read eBooks without an eReader? Absolutely! Most eBook platforms offer web-based readers or mobile apps that allow you to read eBooks on your computer, tablet, or smartphone. How do I avoid digital eye strain while reading eBooks? To prevent digital eye strain, take regular breaks, adjust the font size and background color, and ensure proper lighting while reading eBooks. What the advantage of interactive eBooks? Interactive eBooks incorporate multimedia elements, quizzes, and activities, enhancing the reader engagement and providing a more immersive learning experience. 55 Plymouth Drum Brake Service Manual is one of the best book in our library for free trial. We provide copy of 55 Plymouth Drum Brake Service Manual in digital format, so the resources that you find are reliable. There are also many Ebooks of related with 55 Plymouth Drum Brake Service Manual. Where to download 55 Plymouth Drum Brake Service Manual online for free? Are you looking for 55 Plymouth Drum Brake Service Manual PDF? This is definitely going to save you time and cash in something you should think about.

Find 55 Plymouth Drum Brake Service Manual :

[repair manual suzuki sx4 pdf](#)

[religion studies grade 11 p2 scope](#)

[rectangle pin loom weaving](#)

[recommendation letter for business services](#)

[reverse frog dissection answersheet](#)

[reteach the quadratic formula](#)

[renault clio s reg](#)

respiration circulation and excretion key

[renting vs housing quiz answers everfi](#)

[rhodes university propectus 2016](#)

[really relating to reebops answers](#)

[regents physics lab 16 answers](#)

[renaissance center teacher log](#)
[reteaching activity 11 1 world war i begin](#)
[regular maintenance for peugeot 308 vti](#)

55 Plymouth Drum Brake Service Manual :

[valentin carron learning from martigny by lionel bovier](#) - Feb 08 2023

web jul 1 2010 learning from martigny offers photographic source material intertwined with images of his sculptures and paintings 128 pages paperback first published july 1 2010

[valentin carron learning from martigny cyberlab sutd edu sg](#) - May 11 2023

web valentin carron learning from martigny pattern recognition with support vector machines jun 17 2022 this book constitutes the refereed proceedings of the first

[valentin carron learning martigny abebooks](#) - Mar 09 2023

web valentin carron learning from martigny by carron valentin art bovier lionel edt pages nicolas and a great selection of related books art and collectibles

valentin carron facebook - Jan 27 2022

web valentin carron is on facebook join facebook to connect with valentin carron and others you may know facebook gives people the power to share and makes the world

valentin carron artnet - Mar 29 2022

web view valentin carron s 70 artworks on artnet find an in depth biography exhibitions original artworks for sale the latest news and sold auction prices see available

edcat learning from martigny - Jul 13 2023

web in learning from martigny valentin carron 1975 lives and works in martigny switzerland offers a photo documentation of his surroundings the sources for some of

valentin carron learning from martigny copy uniport edu - Sep 03 2022

web apr 5 2023 in learning from martigny valentin carron 1975 lives and works in martigny switzerland offers a photo documentation of his surroundings the sources

valentin carron learning from martigny by lionel bovier - Sep 22 2021

web valentin carron learning from martigny by lionel bovier valentin carron martigny valentin carron 1975 lives and works in martigny switzerland offers a photo

valentin carron learning from martigny by lionel bovier - Apr 29 2022

web valentin carron learning from martigny book 2009 worldcat orologio iii 2008 art at swiss re biography of valentin carron
widewalls in learning from las vegas 1977 robert

valentin carron learning from martigny download only - Nov 24 2021

web valentin carron learning from martigny eventually you will no question discover a supplementary experience and
triumph by spending more cash yet when complete you

valentin carron learning from martigny clr imymac - Nov 05 2022

web 2 valentin carron learning from martigny 2022 11 10 grace through these intimate scenes 33 artists in 3 acts explores
what it means to be a real artist in the real world

valentin carron learning from martigny alibris - Jun 12 2023

web buy valentin carron learning from martigny by valentin carron lionel bovier editor nicolas pages text by online at alibris
we have new and used copies available in 1

valentin carron learning from martigny □□□□□□□□ □□□□□□ - Jan 07 2023

web valentin carron learning from martigny buy online at best price in ksa souq is now amazon sa books sa delivering to
riyadh sign in to update your location

learning from martigny carron valentin free download - Aug 14 2023

web in learning from martigny valentin carron 1975 lives and works in martigny switzerland offers a photo documentation of
his surroundings the sources for some of

valentin carron artists 303 gallery - Feb 25 2022

web valentin carron born in martigny in 1977 is one of the important youngest generation swiss artists in recent years
valentin carron has emerged with an oeuvre that

valentin carron artworks for sale more artsy - Aug 02 2022

web bio valentin carron s practice is equal parts sociological study and criticism of cultural artifacts and institutions he is
best known for creating works that reproduce vernacular

valentin carron 1977 martigny switzerland wilde - Apr 10 2023

web valentin carron valentin carron was born in 1977 in martigny switzerland he began his artistic training at the age of
fifteen first at the e cole cantonale d art du valais and then

valentin carron learning from martigny pdf kelliemay - Oct 04 2022

web in learning from martigny valentin carron 1975 lives and works in martigny switzerland offers a photo documentation of
his surroundings the sources for some of

valentin carron learning from martigny by lionel bovier - Oct 24 2021

web learning from martigny biography of valentin carron widewalls valentin carron at artist info publications david kordansky gallery valentin carron artist art for sale biography

valentin carron learning from martigny copy ol wise edu - May 31 2022

web valentin carron learning from martigny is available in our digital library an online access to it is set as public so you can get it instantly our digital library spans in multiple

valentin carron learning from martigny by lionel bovier - Dec 06 2022

web from martigny co uk valentin carron learning from martigny 2009 edcat learning from martigny valentin carron publications david kordansky gallery valentin carron swiss

valentin carron learning from martigny by lionel bovier - Dec 26 2021

web selections by valentin carron swiss institute valentin carron learning from martigny co uk valentin carron jrp editions edcat learning from martigny valentin carron kamel

valentin carron learning from martigny copy ftp popcake - Jul 01 2022

web valentin carron learning from martigny 3 3 world now tells the story of the artists themselves how they move through the world command credibility and create iconic

lt80 manual suzuki quadsport kawasaki kfx80 online service - Oct 05 2023

web service your suzuki lt80 quadsport kawasaki kfx80 with a cyclepedia service manual get color photographs wiring diagrams specs and detailed procedures cyclepedia

suzuki lt80 manuals manualslib - Aug 03 2023

web manuals and user guides for suzuki lt80 we have 1 suzuki lt80 manual available for free pdf download technische tekeningen manual german suzuki lt80 technische tekeningen manual 58 pages brand suzuki category motorcycle size 3 58 mb table of contents battery 3 air cleaner 4 alternator 5 cam chain 6 cam shaft valve 7

suzuki lt80 service manual repair 1987 2006 1 issuu - Apr 18 2022

web instant download of the factory repair manual for the 1987 2006 suzuki lt80 two stroke quad covers complete tear down and rebuild pictures and part diagrams torque specs maintenance

suzuki lt80 specs and review quadsport off roading pro - Mar 18 2022

web the suzuki lt80 quadsport is regarded as one of the best stock minis produced by a japanese manufacturer featuring an air cooled 2 stroke engine peppy electric starter keyed ignition and parking brake this iconic youth atv is a long time favorite among beginner and more experienced riders

suzuki lt80 kawasaki kfx80 service manual 1987 2006 - Apr 30 2023

web this suzuki lt80 quad runner quadsport kawasaki kfx80 service manual 1987 2006 is a high quality service and repair

manual published by cyclepedia press llc when it comes to cool toys it s hard to beat a mini four wheel drive all terrain vehicle atv

1987 2006 suzuki lt 80 lt80 repair service manual atv pdf download - Jun 01 2023

web this model specific year specific lt 80 lt80 service manual is 227 pages the workshop manual has detailed pictures diagrams and step by step procedures to cover the lt 80 wheel to wheel how to tear down everything and build it all back up [found pdf electronic version of lt80 kfx80 manuals](#) - Jun 20 2022

web aug 17 2013 kids quads found pdf electronic version of lt80 kfx80 manuals i ve got electronic pdf versions that i downloaded from a torrent site a few months back it s a 40mb zip file and it has 5 files in it 1 80cc lt80 1988 1995 2 80cc lt80 1996 2001 3 80cc lt80 2002 2006 4 1987 2006 suzuki lt 80 service manual

suzuki lt80 quad sport 1987 2006 kawasaki kfx80 03 06 service manual - Jul 02 2023

web the cyclepedia 1987 2006 suzuki lt80 quad sport 2003 2006 kawasaki kfx80 digital service manual features detailed full color photographs and wiring diagrams complete specifications with step by step procedures performed and written by a seasoned dealer trained technician the 1987 2006 suzuki lt80 quad sport 2003 2006 kawasaki

suzuki lt80t quad sport 1996 workshop service manual - May 20 2022

web this manual for suzuki lt80t quad sport 1996 has been issued to provide you with technical information regarding the design function disassembly adjusting work and troubleshooting on the components and model of the suzuki lt80t quad sport 1996

1987 2006 suzuki lt80 quad runner quad sport service manual - Feb 26 2023

web description this official 1987 2006 suzuki lt80 quad runner quad sport factory service manual provides service and repair information for 1987 2006 suzuki lt80 quad runner quad sport models this is the same book used by authorized suzuki dealers 1987 suzuki lt80h quad runner 1988 suzuki lt80j quad runner 1989

suzuki lt80 service manual repair 1987 2006 lt 80 - Aug 23 2022

web instant of the factory repair manual for the 1987 2006 suzuki lt80 two stroke atv technically only goes up to 2003 models but there were no changes from 2004 2006 covers complete tear down and rebuild pictures and part diagrams torque specs maintenance troubleshooting etc

1987 2006 suzuki lt80 quad runner quad sport service repair manual - Jul 22 2022

web purposes of this manual are to let users of 1987 2006 suzuki lt80 quad runner quad sport understand the construction basic maintenance and repair of the 1987 2006 suzuki lt80 quad runner quad sport product and professional major repair methods if you have this manual you will have easy component identification careful disassembly

1987 2006 suzuki lt80h quad runner quad sport kawasaki kfx80 service manual - Jan 28 2023

web sep 26 2012 overview the cyclepedia com 1987 2006 suzuki lt80 quadspport 2003 2006 kawasaki kfx80 online service manual features detailed full color photographs and complete specifications with step by step procedures performed and written by a seasoned dealer trained technician

[1987 2006 suzuki lt 80 lt80 repair service manual atv pdf pinterest](#) - Feb 14 2022

web aug 9 2019 this is the full 1987 2006 suzuki lt 80 service repair manual and parts manuals 1987 2006 suzuki lt 80 lt80 this lt 80 lt80 service manual has 227 pages the workshop manual has detailed pictures diagrams and step by step procedures to cover the lt 80 wheel to wheel

complete 1987 2006 suzuki lt80 quadrunner quadspport service repair manual - Oct 25 2022

web 1987 2006 suzuki lt80 quadrunner quadspport service manual is a complete original informational book written in the language of a mechanic it was initially sent to the dealer s service department to provide enough detail for major repairs and complete overhauls

1987 2006 suzuki lt80 quadspport repair service manual - Sep 23 2022

web bookmarked searchable printable pdf instant download covers 1987 2006 suzuki lt80 quadspport atv pages 227 format pdf file size 106mb compatibility windows mac tablet this service manual contains all the necessary instructions needed for any repair on your 1987 1988 1989 1990 1991 1992 1993 1994 1995 1996 1997

quadspport lt80 service repair workshop manuals - Dec 27 2022

web our lt80 quadspport suzuki atv workshop manuals contain in depth maintenance service and repair information get your emanual now

suzuki lt80 kawasaki kfx80 atv cyclepedia service manual - Mar 30 2023

web the cyclepedia press llc 1987 2006 suzuki lt80 quadspport 2003 2006 kawasaki kfx80 printed service manual features detailed black and white photographs and wiring diagrams complete specifications with step by step procedures performed and written by a seasoned dealer trained technician

[atv suzuki download service and repair manuals](#) - Nov 25 2022

web this is a complete searchable and indexed service manual for the 1987 2006 suzuki lt80 atv models covered in this manual lt80j 88 model lt80k 89 model lt80l 90 model lt80minipir sffniwix yik1 1991 to 2001 models lt80k2 k3 k4 k5 2002 to 2005 models lt80k6 download this manual preview this manual

[download suzuki 80 lt80 repair manual 1987 2006](#) - Sep 04 2023

web oct 23 2017 download a repair manual instantly download a suzuki lt80 quadspport repair manual straight to your computer in seconds a downloadable suzuki repair manual is transferable via internet and immediately available for viewing once downloaded it can stored on your computer or tablet forever

repair manual commander 92 42 liululu - Nov 10 2022

web repair manual commander 92 42 repair manual commander 92 42 triple e commander owner s manual pdf download the battalion commander s handbook air university genie parts list mississippi valley equipment in la volume 3 los angeles police department by order of the commander air force

repair manual commander 92 42 filemanager gstv in - Aug 19 2023

web chilton s repair manual anthony tortorici 1992 operator s organizational direct support and general support maintenance manual including repair parts and special tools list including depot maintenance repair parts and special tools 1992 intermediate direct support maintenance manual including repair parts and special tools list for m8a1 a

repair manual commander 92 42 mail networkonair - Feb 13 2023

web collections repair manual commander 92 42 that we will absolutely offer this repair manual commander 92 42 as one of the bulk running sellers here will completely be accompanied by the best options to review download the repair manual commander 92 42 join that we have the capital for here and check out the link

[repair manual commander 92 42 psfnac faudiovisual com](#) - May 04 2022

web repair manual commander 92 42 repair manual commander 92 42 aomway commander v1 fpv goggles gearbest genry sai shigekuni yamamoto bleach wiki fandom mstp pamphlet 5 0 3 200104 magtf planner s reference genie parts list mississippi valley equipment in la by order of the commander air force

repair manual commander 92 42 bi leadsherpa com - Apr 03 2022

web direct support and general support maintenance manual for engine with container turbosupercharged diesel fuel injection 90 degree v type air cooled 12 cylinder assembly models avds 1790 2c 2815 00 410 1203 and avds 1790 2d

[repair manual commander 92 42 online kptm edu my](#) - Oct 09 2022

web title repair manual commander 92 42 author online kptm edu my 2023 11 12 02 44 30 subject repair manual commander

92 42 keywords repair manual commander 92 42

rockwell commander 112 service repair workshop manuals - Sep 08 2022

web our commander 112 rockwell aeroplanes aircraft workshop manuals contain in depth maintenance service and repair information get your emanual now

repair manual commander 92 42 2023 git checkissuing - Sep 20 2023

web repair manual commander 92 42 downloaded from git checkissuing com by guest cross leila research product u s army research institute for the behavioral and social sciences diane

[repair manual commander 92 42 pdf download only](#) - Jul 18 2023

web repair manual commander 92 42 pdf is available in our digital library an online access to it is set as public so you can get

it instantly our book servers spans in multiple countries allowing you to get the most less

[manual 42 repair 92 commander network eve gd](#) - Jul 06 2022

web manual 42 repair 92 commander may 4th 2018 by order of the commander air force materiel command 28 june 2017 air force materiel command instruction 20 102 11 july 2013 incorporating change 1 17 february 2016

[repair manual commander 92 42 orientation sutd edu sg](#) - Jun 17 2023

web repair manual commander 92 42 by order of the commander air force materiel command barry s homepage industrial equipment and manuals aomway commander v1 fpv goggles gearbest 2012 2014 land rover discovery 4

[repair manual commander 92 42 rhur impacthub net](#) - Aug 07 2022

web sep 10 2023 repair manual commander 92 42 2012 2014 land rover discovery 4 lr4 factory repair barry s homepage industrial equipment and manuals volume 3 los angeles police department by order of the commander air force materiel command triple e commander series owner s manual pdf download

[repair manual commander 92 42 old militos](#) - Apr 15 2023

web repair manual commander 92 42 continual improvement a bibliography with indexes 1992 1993 operator s organizational direct support and general support maintenance manual including repair parts and special tools list including depot maintenance repair parts and special tools

[commander 2 service manual msan hr](#) - Jun 05 2022

web the purpose of this document is to describe the process of replacing service parts of the commander 2 charger s hardware system intent of this service manual is to lend a hand to our service partners in replacing the service parts this document enlists step by step procedures along with pictorial description of the replacement

repair manual commander 92 42 mypthub - Mar 14 2023

web repair manual commander 92 42 repair manual commander 92 42 2018 newest v5 3 0 vvd2 commander key programmer update the battalion commander s handbook air university by order of the commander air force materiel command 2012 2014 land rover discovery 4 lr4 factory repair mstp pamphlet 5

[repair manual commander 92 42 mypthub com](#) - May 16 2023

web repair manual commander 92 42 barry s homepage industrial equipment and manuals april 28th 2018 barry s goods for sale bridgeport style millhead for sale mstp pamphlet 5 0 3 200104 magtf planner s reference may 6th 2018 mstp pamphlet 5 0 3 f af st tra ining pr a gr o m m ag tf magtf planner s reference manual

[rockwell commander 112 service maintenance manual](#) - Dec 11 2022

web a p handbook these manuals on cd are non current and are sold for educational reference puropes only please check my store for more piper cessna and beechcraft manuals related products maintenance cd for the

repair manual commander 92 42 dream networkonair - Jan 12 2023

web repair manual commander 92 42 vvdi2 commander is update version of vag vvdi diagnostic tool newly add bmw porsche model added plug in function and reserved connectors to include all vvdi functions by order of the commander air force materiel command 28 june 2017 air force materiel command instruction 20 102 11 july 2013

repair manual commander 92 42 2022 esource svb - Oct 21 2023

web repair manual commander 92 42 operator s organizational direct support and general support maintenance manual operation installation and reference data intermediate direct support maintenance manual including repair parts and special tools list for m8a1 automatic chemical agent alarm nsn 6665 01 105 5623 and auxiliary

comnav commander p2 installation operation manual - Mar 02 2022

web view and download comnav commander p2 installation operation manual online advanced autopilot systems commander p2 marine equipment pdf manual download also for commander p2vs