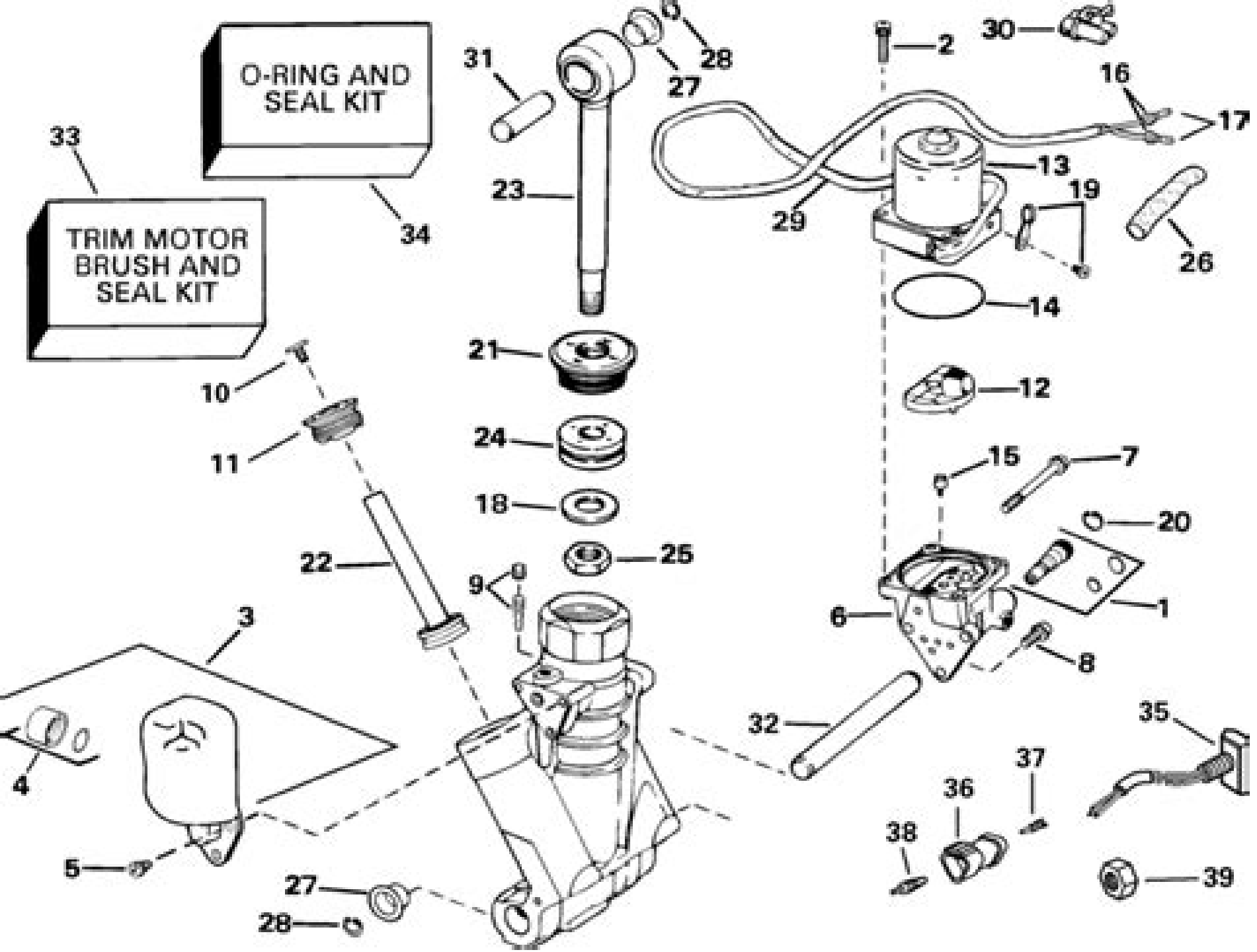


O-RING AND  
SEAL KIT

TRIM MOTOR  
BRUSH AND  
SEAL KIT



# 50hp Evinrude Power Tilt And Trim Manual Mercury

**Lei Shi**



## 50hp Evinrude Power Tilt And Trim Manual Mercury:

**Field & Stream** ,1976-12 FIELD STREAM America s largest outdoor sports magazine celebrates the outdoor experience with great stories compelling photography and sound advice while honoring the traditions hunters and fishermen have passed down for generations

**Field & Stream** ,1978-12 FIELD STREAM America s largest outdoor sports magazine celebrates the outdoor experience with great stories compelling photography and sound advice while honoring the traditions hunters and fishermen have passed down for generations

**The Outboard Boater's Handbook: Advanced Seamanship and Practical Skills** David R. Getchell,David Getchell,1994 This comprehensive manual shows you how to go places and do things you never thought possible in a small outboard motorboat A well designed ruggedly built 17 footer for instance can fish offshore circumnavigate Lake Superior and crisscross the continent on inland waterways or on a trailer pulled by the family car Small outboards are among the most versatile boats ever developed and are far more able than you might expect Covered here are all the popular types and some exciting alternatives as well as methods that may change your entire boating outlook Aided by contributions from other experts veteran outboard skipper David R Getchell Sr offers a wealth of useful facts and special savvy that reveal for the first time in a single book the true potential of these democratic boats 20 feet and under Here are the means to understand what can be done and the way to do it safely including how to judge a boat s potential and capabilities based on design and construction how to rebuild an older boat how to handle a little boat in big seas surf or shallow water how to navigate how to read the weather how to head upriver or offshore how to trailer your boat how to manage and equip it for camp cruising on a nearby lake or for subarctic exploration and how to care for the boat and motor

**Field & Stream** ,1998-05 FIELD STREAM America s largest outdoor sports magazine celebrates the outdoor experience with great stories compelling photography and sound advice while honoring the traditions hunters and fishermen have passed down for generations

*Field & Stream* ,1972-12 FIELD STREAM America s largest outdoor sports magazine celebrates the outdoor experience with great stories compelling photography and sound advice while honoring the traditions hunters and fishermen have passed down for generations

**Field & Stream** ,1977-12 FIELD STREAM America s largest outdoor sports magazine celebrates the outdoor experience with great stories compelling photography and sound advice while honoring the traditions hunters and fishermen have passed down for generations

*Field & Stream* ,1974-12 FIELD STREAM America s largest outdoor sports magazine celebrates the outdoor experience with great stories compelling photography and sound advice while honoring the traditions hunters and fishermen have passed down for generations

*MotorBoating* ,1977-12    *Boating* ,1974-07    **MotorBoating** ,2004-04    **Outdoor Life** ,1962    *Field and Stream* ,1998

**Field & Stream** ,1998    *Sea and Pacific Motor Boat* ,1972    *Yachting* ,1975    *Popular Mechanics* ,1973-10

Popular Mechanics inspires instructs and influences readers to help them master the modern world Whether it s practical DIY home improvement tips gadgets and digital technology information on the newest cars or the latest breakthroughs in

science PM is the ultimate guide to our high tech lifestyle Diver ,1991 Popular Mechanics ,1973-10 Popular Mechanics inspires instructs and influences readers to help them master the modern world Whether it s practical DIY home improvement tips gadgets and digital technology information on the newest cars or the latest breakthroughs in science PM is the ultimate guide to our high tech lifestyle Florida Wildlife ,1961 *Field & Stream* ,1969-12 FIELD STREAM America s largest outdoor sports magazine celebrates the outdoor experience with great stories compelling photography and sound advice while honoring the traditions hunters and fishermen have passed down for generations

The Top Books of the Year 50hp Evinrude Power Tilt And Trim Manual Mercury The year 2023 has witnessed a noteworthy surge in literary brilliance, with numerous captivating novels captivating the hearts of readers worldwide. Lets delve into the realm of popular books, exploring the engaging narratives that have captivated audiences this year. The Must-Read : Colleen Hoover "It Ends with Us" This heartfelt tale of love, loss, and resilience has captivated readers with its raw and emotional exploration of domestic abuse. Hoover skillfully weaves a story of hope and healing, reminding us that even in the darkest of times, the human spirit can succeed. 50hp Evinrude Power Tilt And Trim Manual Mercury : Taylor Jenkins Reids "The Seven Husbands of Evelyn Hugo" This spellbinding historical fiction novel unravels the life of Evelyn Hugo, a Hollywood icon who defies expectations and societal norms to pursue her dreams. Reids absorbing storytelling and compelling characters transport readers to a bygone era, immersing them in a world of glamour, ambition, and self-discovery. Discover the Magic : Delia Owens "Where the Crawdads Sing" This mesmerizing coming-of-age story follows Kya Clark, a young woman who grows up alone in the marshes of North Carolina. Owens crafts a tale of resilience, survival, and the transformative power of nature, captivating readers with its evocative prose and mesmerizing setting. These top-selling novels represent just a fraction of the literary treasures that have emerged in 2023. Whether you seek tales of romance, adventure, or personal growth, the world of literature offers an abundance of engaging stories waiting to be discovered. The novel begins with Richard Papan, a bright but troubled young man, arriving at Hampden College. Richard is immediately drawn to the group of students who call themselves the Classics Club. The club is led by Henry Winter, a brilliant and charismatic young man. Henry is obsessed with Greek mythology and philosophy, and he quickly draws Richard into his world. The other members of the Classics Club are equally as fascinating. Bunny Corcoran is a wealthy and spoiled young man who is always looking for a good time. Charles Tavis is a quiet and reserved young man who is deeply in love with Henry. Camilla Macaulay is a beautiful and intelligent young woman who is drawn to the power and danger of the Classics Club. The students are all deeply in love with Morrow, and they are willing to do anything to please him. Morrow is a complex and mysterious figure, and he seems to be manipulating the students for his own purposes. As the students become more involved with Morrow, they begin to commit increasingly dangerous acts. The Secret History is a masterful and gripping novel that will keep you speculating until the very end. The novel is a warning tale about the dangers of obsession and the power of evil.

[https://recruitmentslovakia.com/files/publication/Documents/1994\\_Audi\\_100\\_Water\\_Pump\\_Gasket\\_Manua.pdf](https://recruitmentslovakia.com/files/publication/Documents/1994_Audi_100_Water_Pump_Gasket_Manua.pdf)

### Table of Contents 50hp Evinrude Power Tilt And Trim Manual Mercury

1. Understanding the eBook 50hp Evinrude Power Tilt And Trim Manual Mercury
  - The Rise of Digital Reading 50hp Evinrude Power Tilt And Trim Manual Mercury
  - Advantages of eBooks Over Traditional Books
2. Identifying 50hp Evinrude Power Tilt And Trim Manual Mercury
  - Exploring Different Genres
  - Considering Fiction vs. Non-Fiction
  - Determining Your Reading Goals
3. Choosing the Right eBook Platform
  - Popular eBook Platforms
  - Features to Look for in an 50hp Evinrude Power Tilt And Trim Manual Mercury
  - User-Friendly Interface
4. Exploring eBook Recommendations from 50hp Evinrude Power Tilt And Trim Manual Mercury
  - Personalized Recommendations
  - 50hp Evinrude Power Tilt And Trim Manual Mercury User Reviews and Ratings
  - 50hp Evinrude Power Tilt And Trim Manual Mercury and Bestseller Lists
5. Accessing 50hp Evinrude Power Tilt And Trim Manual Mercury Free and Paid eBooks
  - 50hp Evinrude Power Tilt And Trim Manual Mercury Public Domain eBooks
  - 50hp Evinrude Power Tilt And Trim Manual Mercury eBook Subscription Services
  - 50hp Evinrude Power Tilt And Trim Manual Mercury Budget-Friendly Options
6. Navigating 50hp Evinrude Power Tilt And Trim Manual Mercury eBook Formats
  - ePub, PDF, MOBI, and More
  - 50hp Evinrude Power Tilt And Trim Manual Mercury Compatibility with Devices
  - 50hp Evinrude Power Tilt And Trim Manual Mercury Enhanced eBook Features
7. Enhancing Your Reading Experience
  - Adjustable Fonts and Text Sizes of 50hp Evinrude Power Tilt And Trim Manual Mercury
  - Highlighting and Note-Taking 50hp Evinrude Power Tilt And Trim Manual Mercury
  - Interactive Elements 50hp Evinrude Power Tilt And Trim Manual Mercury
8. Staying Engaged with 50hp Evinrude Power Tilt And Trim Manual Mercury

- Joining Online Reading Communities
  - Participating in Virtual Book Clubs
  - Following Authors and Publishers 50hp Evinrude Power Tilt And Trim Manual Mercury
9. Balancing eBooks and Physical Books 50hp Evinrude Power Tilt And Trim Manual Mercury
- Benefits of a Digital Library
  - Creating a Diverse Reading Collection 50hp Evinrude Power Tilt And Trim Manual Mercury
10. Overcoming Reading Challenges
- Dealing with Digital Eye Strain
  - Minimizing Distractions
  - Managing Screen Time
11. Cultivating a Reading Routine 50hp Evinrude Power Tilt And Trim Manual Mercury
- Setting Reading Goals 50hp Evinrude Power Tilt And Trim Manual Mercury
  - Carving Out Dedicated Reading Time
12. Sourcing Reliable Information of 50hp Evinrude Power Tilt And Trim Manual Mercury
- Fact-Checking eBook Content of 50hp Evinrude Power Tilt And Trim Manual Mercury
  - Distinguishing Credible Sources
13. Promoting Lifelong Learning
- Utilizing eBooks for Skill Development
  - Exploring Educational eBooks
14. Embracing eBook Trends
- Integration of Multimedia Elements
  - Interactive and Gamified eBooks

### 50hp Evinrude Power Tilt And Trim Manual Mercury Introduction

Free PDF Books and Manuals for Download: Unlocking Knowledge at Your Fingertips In today's fast-paced digital age, obtaining valuable knowledge has become easier than ever. Thanks to the internet, a vast array of books and manuals are now available for free download in PDF format. Whether you are a student, professional, or simply an avid reader, this treasure trove of downloadable resources offers a wealth of information, conveniently accessible anytime, anywhere. The advent of online libraries and platforms dedicated to sharing knowledge has revolutionized the way we consume information. No longer confined to physical libraries or bookstores, readers can now access an extensive collection of digital books and

## **50hp Evinrude Power Tilt And Trim Manual Mercury**

manuals with just a few clicks. These resources, available in PDF, Microsoft Word, and PowerPoint formats, cater to a wide range of interests, including literature, technology, science, history, and much more. One notable platform where you can explore and download free 50hp Evinrude Power Tilt And Trim Manual Mercury PDF books and manuals is the internet's largest free library. Hosted online, this catalog compiles a vast assortment of documents, making it a veritable goldmine of knowledge. With its easy-to-use website interface and customizable PDF generator, this platform offers a user-friendly experience, allowing individuals to effortlessly navigate and access the information they seek. The availability of free PDF books and manuals on this platform demonstrates its commitment to democratizing education and empowering individuals with the tools needed to succeed in their chosen fields. It allows anyone, regardless of their background or financial limitations, to expand their horizons and gain insights from experts in various disciplines. One of the most significant advantages of downloading PDF books and manuals lies in their portability. Unlike physical copies, digital books can be stored and carried on a single device, such as a tablet or smartphone, saving valuable space and weight. This convenience makes it possible for readers to have their entire library at their fingertips, whether they are commuting, traveling, or simply enjoying a lazy afternoon at home. Additionally, digital files are easily searchable, enabling readers to locate specific information within seconds. With a few keystrokes, users can search for keywords, topics, or phrases, making research and finding relevant information a breeze. This efficiency saves time and effort, streamlining the learning process and allowing individuals to focus on extracting the information they need. Furthermore, the availability of free PDF books and manuals fosters a culture of continuous learning. By removing financial barriers, more people can access educational resources and pursue lifelong learning, contributing to personal growth and professional development. This democratization of knowledge promotes intellectual curiosity and empowers individuals to become lifelong learners, promoting progress and innovation in various fields. It is worth noting that while accessing free 50hp Evinrude Power Tilt And Trim Manual Mercury PDF books and manuals is convenient and cost-effective, it is vital to respect copyright laws and intellectual property rights. Platforms offering free downloads often operate within legal boundaries, ensuring that the materials they provide are either in the public domain or authorized for distribution. By adhering to copyright laws, users can enjoy the benefits of free access to knowledge while supporting the authors and publishers who make these resources available. In conclusion, the availability of 50hp Evinrude Power Tilt And Trim Manual Mercury free PDF books and manuals for download has revolutionized the way we access and consume knowledge. With just a few clicks, individuals can explore a vast collection of resources across different disciplines, all free of charge. This accessibility empowers individuals to become lifelong learners, contributing to personal growth, professional development, and the advancement of society as a whole. So why not unlock a world of knowledge today? Start exploring the vast sea of free PDF books and manuals waiting to be discovered right at your fingertips.



### FAQs About 50hp Evinrude Power Tilt And Trim Manual Mercury Books

**What is a 50hp Evinrude Power Tilt And Trim Manual Mercury PDF?** A PDF (Portable Document Format) is a file format developed by Adobe that preserves the layout and formatting of a document, regardless of the software, hardware, or operating system used to view or print it. **How do I create a 50hp Evinrude Power Tilt And Trim Manual Mercury PDF?** There are several ways to create a PDF: Use software like Adobe Acrobat, Microsoft Word, or Google Docs, which often have built-in PDF creation tools. Print to PDF: Many applications and operating systems have a "Print to PDF" option that allows you to save a document as a PDF file instead of printing it on paper. Online converters: There are various online tools that can convert different file types to PDF. **How do I edit a 50hp Evinrude Power Tilt And Trim Manual Mercury PDF?** Editing a PDF can be done with software like Adobe Acrobat, which allows direct editing of text, images, and other elements within the PDF. Some free tools, like PDFescape or Smallpdf, also offer basic editing capabilities. **How do I convert a 50hp Evinrude Power Tilt And Trim Manual Mercury PDF to another file format?** There are multiple ways to convert a PDF to another format: Use online converters like Smallpdf, Zamzar, or Adobe Acrobat's export feature to convert PDFs to formats like Word, Excel, JPEG, etc. Software like Adobe Acrobat, Microsoft Word, or other PDF editors may have options to export or save PDFs in different formats. **How do I password-protect a 50hp Evinrude Power Tilt And Trim Manual Mercury PDF?** Most PDF editing software allows you to add password protection. In Adobe Acrobat, for instance, you can go to "File" -> "Properties" -> "Security" to set a password to restrict access or editing capabilities. Are there any free alternatives to Adobe Acrobat for working with PDFs? Yes, there are many free alternatives for working with PDFs, such as: LibreOffice: Offers PDF editing features. PDFsam: Allows splitting, merging, and editing PDFs. Foxit Reader: Provides basic PDF viewing and editing capabilities. How do I compress a PDF file? You can use online tools like Smallpdf, ILovePDF, or desktop software like Adobe Acrobat to compress PDF files without significant quality loss. Compression reduces the file size, making it easier to share and download. Can I fill out forms in a PDF file? Yes, most PDF viewers/editors like Adobe Acrobat, Preview (on Mac), or various online tools allow you to fill out forms in PDF files by selecting text fields and entering information. Are there any restrictions when working with PDFs? Some PDFs might have restrictions set by their creator, such as password protection, editing restrictions, or print restrictions. Breaking these restrictions might require specific software or tools, which may or may not be legal depending on the circumstances and local laws.

### Find 50hp Evinrude Power Tilt And Trim Manual Mercury :

[1994 audi 100 water pump gasket manua](#)

[meteorology test review guide answers earth science](#)

~~2009 audi tt coil over kit manual~~

~~mig welder migomag 315 manual~~

~~onity edht22i manual~~

~~00 02 gsxr 750 service manual~~

~~dynamic retail back office manual~~

~~personel management n2question paper~~

~~behind the curtain bdsm crime series book 1~~

~~les cowboys du texas buffalo bill~~

~~interests in securities~~

~~ingersoll immortal infidel the skepticshelf~~

~~who has a security isms manual~~

**1999 yamaha banshee 350 service repair manual 99**

~~used toyota manual transmission sale~~

### **50hp Evinrude Power Tilt And Trim Manual Mercury :**

Study Resources: College Mathematics - CLEP Review test prep materials, online resources, and more to help you prepare for the College Mathematics CLEP Exam. College Mathematics - CLEP A study plan and list of online resources. Article. Sample Questions: College Mathematics. Answer sample questions related to the College Mathematics exam ... Sample Questions: College Mathematics - CLEP Answers. C, A, A. For more sample questions and information about the exam, download the College Mathematics guide from the resources section below. College Mathematics CLEP Free Study Guide! The College Mathematics CLEP covers the knowledge you would learn in college without having any advanced mathematics requirements for your degree. It will test ... Free Practice Test: CLEP College Mathematics Free practice tests for CLEP College Mathematics: Our free practice questions and study guides are here to help you brush up your skills and prepare to ace ... CLEP College Mathematics Prep Course Use the fun lessons and short quizzes in our CLEP College Mathematics course to prepare for the CLEP College Mathematics exam and get closer to... Free CLEP College Math Practice Test (updated 2023) Oct 31, 2023 — Explore our CLEP College Math practice test questions. Get ready for your test using our review tips! CLEP College Mathematics Test Prep Course - MathHelp.com Our CLEP College Mathematics test prep course is an online study guide with video tutoring and practice tests covering the exact math questions on the exam. CLEP College Mathematics Study Guide 2021-2022 This book is a study guide for the CLEP Math Exam. It gives resources for the book and online, including flashcards, cheat sheets. There are tips and tricks ... CLEP® College Mathematics, 4th Ed., Book + Online -

REA's Prep for success on the CLEP College Mathematics exam with REA's personalized three-step plan: (1) focus your study, (2) review with the book, and (3) measure ... Massachusetts 1C Hoisting License Course & 1C Exam Prep MA 1C hoisting license online course features comprehensive study materials including practice quizzes & an entire section focused on questions from past ... MA Hoisting License Practice Tests & Study Guides Our online Exam Prep courses offer everything you need to pass the MA hoisting license test. Our self-paced study guides and Mass hoisting license practice ... 1C Hoisting Exam Flashcards Study with Quizlet and memorize flashcards containing terms like Single most important safety factor of operation, Accidents happen because, When is it safe ... Has anyone taken the Massachusetts 1C and 2A hoisting ... I'm working on getting my 1C and 2A hoisting licenses and my exam is Tuesday. I've been studying the study guide my friend gave me from his ... Mass Hoisting license questions Feb 12, 2013 — 5- How hard are the exams, i have heard they are a breeze and then some tell me they are full of questions regarding impossible stuff to study. 2a 1c Hoisting License Study Book Pdf - Fill Online, Printable ... Fill 2a 1c Hoisting License Study Book Pdf, Edit online. Sign, fax and printable from PC, iPad, tablet or mobile with pdfFiller ☐ Instantly. Try Now! 2a 1c hoisting license study book pdf: Fill out & sign online Edit, sign, and share 2a 1c hoisting license study book pdf online. No need to install software, just go to DocHub, and sign up instantly and for free. MA Hoisting License Test Prep 2A/1C & 2A/1B Massachusetts Hoisting License offers state approved one day Test Prep classes for 2A/1C and 2A/1B Licenses in convenient locations - Plainville, ... Mass Hoist Test Prep Online by EducatedOperator.com Learn the exact material needed to pass the Mass 1C Hoisting exam. Buy 1 Month access or 4 Month access. Course is narrated and easily used. \$99.00 - \$129.00. Stuvia 1986236 test bank for introduction to maternity and ... Stuvia 1986236 test bank for introduction to maternity and pediatric nursing 9th edition by gloria leifer chapter 1 34 newest version 2022 ... \$103 per month? Test Bank For Introduction to Maternity and Pediatric ... Test Bank For Introduction to Maternity and Pediatric Nursing 9th Edition BY Gloria Leifer · 1. A patient chooses to have the certified nurse-midwife (CNM) ... Introduction to Maternity and Pediatric Nursing 9th Edition ... Jun 25, 2023 — Test Bank - Introduction to Maternity and Pediatric Nursing 9th Edition By Gloria Leifer | Chapter 1 - 34, Complete Guide 2023| Test Bank - Test Bank for Introduction to Maternity & Pediatric Nursing Test Bank for Introduction to Maternity & Pediatric Nursing, Gloria Leifer, 9th Edition. ... Perry, Hockenberry, Lowdermilk & Cashion, 7th Edition. \$50.00 \$30.00. Introduction to Maternity and Pediatric Nursing 9th Edition ... Introduction to Maternity and Pediatric Nursing 9th Edition Leifer Test Bank. \$ 30,00 \$ 15,00. All Chapters, Complete Q & A, Latest| Test Bank For ... Mar 25, 2023 — Test Bank For Introduction to Maternity and Pediatric Nursing 9th Edition By Gloria Leifer |All Chapters, Complete Q & A, Latest| Contemporary Maternal-Newborn Nursing 9th Edition Test ... Contemporary Maternal-Newborn Nursing, 9e (Ladewig et al.) Chapter 9 Antepartum Nursing Assessment. 1) The pregnant client has completed the prenatal ... Test Bank For Introduction to Maternity and Pediatric ... Sep 25, 2022 — Test Bank Introduction to Maternity and Pediatric Nursing 9th Edition BY Gloria Leifer Chapter 1-34 Newest

Version 2022. chapter 1-test bank 21st century maternity and womens ... 1. To assess a mothers risk of having a low-birth-weight (LBW) infant, what is the most important factor for the nurse to consider? test bank chapter 1 - Lowdermilk: Maternity Nursing 8th... View Test Prep - test bank chapter 1 from NURS 125 at Raritan Valley Community College. Lowdermilk: Maternity Nursing, 8th Edition Chapter 01: 21st Century ...