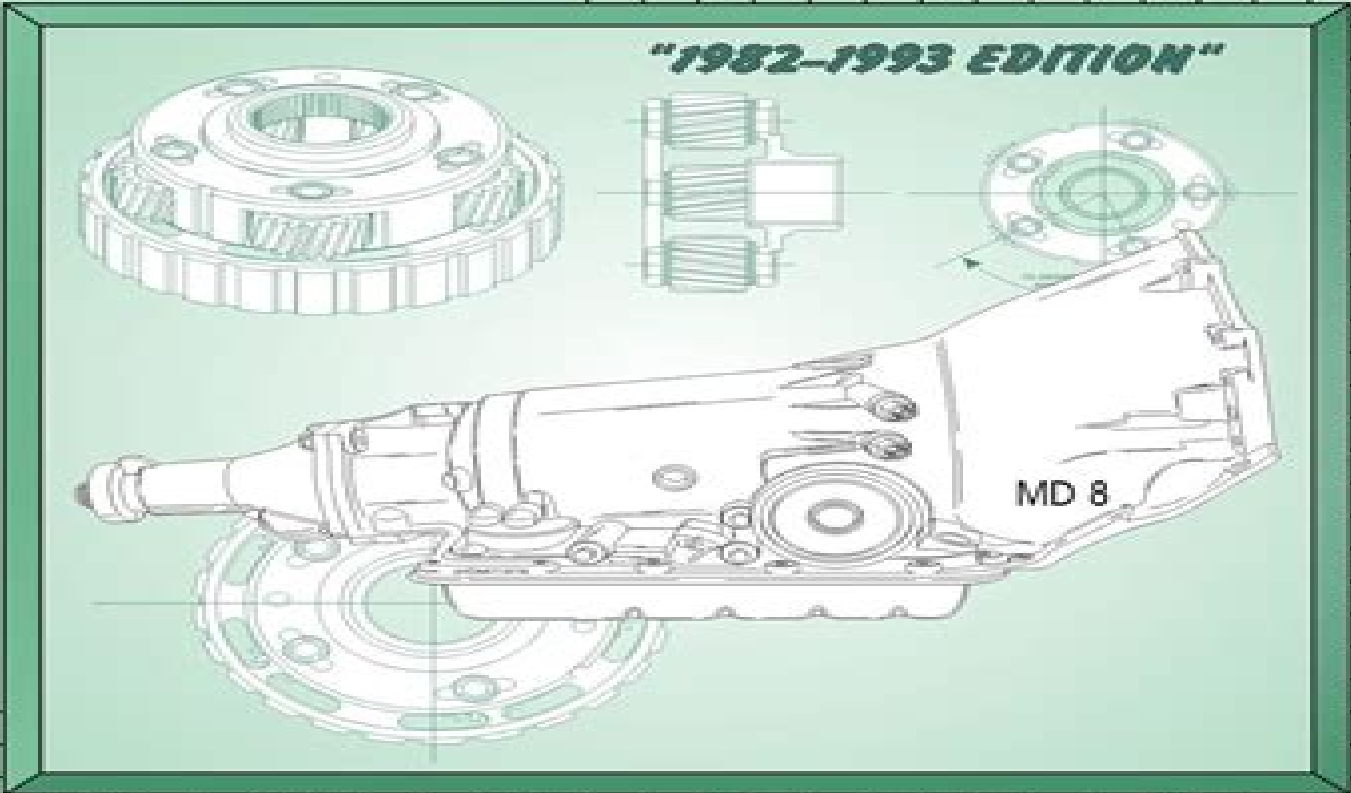




**UPDATE
HANDBOOK
TECHTRAN™ MANUAL**

**7
0
0
-
R
4
|
4
L
6
0**



**NEW UPDATES
AND CHANGES
INCLUDED**

AUTOMATIC TRANSMISSION SERVICE GROUP

Atsg Repair Manual

Anthony S. Fauci



Atsg Repair Manual:

Recognizing the showing off ways to acquire this book **Atsg Repair Manual** is additionally useful. You have remained in right site to start getting this info. get the Atsg Repair Manual associate that we allow here and check out the link.

You could buy lead Atsg Repair Manual or get it as soon as feasible. You could speedily download this Atsg Repair Manual after getting deal. So, subsequent to you require the books swiftly, you can straight get it. Its as a result extremely simple and consequently fats, isnt it? You have to favor to in this ventilate

<https://recruitmentslovakia.com/book/Resources/index.jsp/Earth%20Science%20Holt%20Mcdougal%20Review%20Answers.pdf>

Table of Contents Atsg Repair Manual

1. Understanding the eBook Atsg Repair Manual
 - The Rise of Digital Reading Atsg Repair Manual
 - Advantages of eBooks Over Traditional Books
2. Identifying Atsg Repair Manual
 - Exploring Different Genres
 - Considering Fiction vs. Non-Fiction
 - Determining Your Reading Goals
3. Choosing the Right eBook Platform
 - Popular eBook Platforms
 - Features to Look for in an Atsg Repair Manual
 - User-Friendly Interface
4. Exploring eBook Recommendations from Atsg Repair Manual
 - Personalized Recommendations
 - Atsg Repair Manual User Reviews and Ratings
 - Atsg Repair Manual and Bestseller Lists
5. Accessing Atsg Repair Manual Free and Paid eBooks

- Atsg Repair Manual Public Domain eBooks
 - Atsg Repair Manual eBook Subscription Services
 - Atsg Repair Manual Budget-Friendly Options
6. Navigating Atsg Repair Manual eBook Formats
 - ePub, PDF, MOBI, and More
 - Atsg Repair Manual Compatibility with Devices
 - Atsg Repair Manual Enhanced eBook Features
 7. Enhancing Your Reading Experience
 - Adjustable Fonts and Text Sizes of Atsg Repair Manual
 - Highlighting and Note-Taking Atsg Repair Manual
 - Interactive Elements Atsg Repair Manual
 8. Staying Engaged with Atsg Repair Manual
 - Joining Online Reading Communities
 - Participating in Virtual Book Clubs
 - Following Authors and Publishers Atsg Repair Manual
 9. Balancing eBooks and Physical Books Atsg Repair Manual
 - Benefits of a Digital Library
 - Creating a Diverse Reading Collection Atsg Repair Manual
 10. Overcoming Reading Challenges
 - Dealing with Digital Eye Strain
 - Minimizing Distractions
 - Managing Screen Time
 11. Cultivating a Reading Routine Atsg Repair Manual
 - Setting Reading Goals Atsg Repair Manual
 - Carving Out Dedicated Reading Time
 12. Sourcing Reliable Information of Atsg Repair Manual
 - Fact-Checking eBook Content of Atsg Repair Manual
 - Distinguishing Credible Sources
 13. Promoting Lifelong Learning
 - Utilizing eBooks for Skill Development

- Exploring Educational eBooks
14. Embracing eBook Trends
- Integration of Multimedia Elements
 - Interactive and Gamified eBooks

Atsg Repair Manual Introduction

In this digital age, the convenience of accessing information at our fingertips has become a necessity. Whether its research papers, eBooks, or user manuals, PDF files have become the preferred format for sharing and reading documents. However, the cost associated with purchasing PDF files can sometimes be a barrier for many individuals and organizations. Thankfully, there are numerous websites and platforms that allow users to download free PDF files legally. In this article, we will explore some of the best platforms to download free PDFs. One of the most popular platforms to download free PDF files is Project Gutenberg. This online library offers over 60,000 free eBooks that are in the public domain. From classic literature to historical documents, Project Gutenberg provides a wide range of PDF files that can be downloaded and enjoyed on various devices. The website is user-friendly and allows users to search for specific titles or browse through different categories. Another reliable platform for downloading Atsg Repair Manual free PDF files is Open Library. With its vast collection of over 1 million eBooks, Open Library has something for every reader. The website offers a seamless experience by providing options to borrow or download PDF files. Users simply need to create a free account to access this treasure trove of knowledge. Open Library also allows users to contribute by uploading and sharing their own PDF files, making it a collaborative platform for book enthusiasts. For those interested in academic resources, there are websites dedicated to providing free PDFs of research papers and scientific articles. One such website is Academia.edu, which allows researchers and scholars to share their work with a global audience. Users can download PDF files of research papers, theses, and dissertations covering a wide range of subjects. Academia.edu also provides a platform for discussions and networking within the academic community. When it comes to downloading Atsg Repair Manual free PDF files of magazines, brochures, and catalogs, Issuu is a popular choice. This digital publishing platform hosts a vast collection of publications from around the world. Users can search for specific titles or explore various categories and genres. Issuu offers a seamless reading experience with its user-friendly interface and allows users to download PDF files for offline reading. Apart from dedicated platforms, search engines also play a crucial role in finding free PDF files. Google, for instance, has an advanced search feature that allows users to filter results by file type. By specifying the file type as "PDF," users can find websites that offer free PDF downloads on a specific topic. While downloading Atsg Repair Manual free PDF files is convenient, its important to note that copyright laws must be respected. Always ensure that the PDF files you download are legally available for free.

Many authors and publishers voluntarily provide free PDF versions of their work, but its essential to be cautious and verify the authenticity of the source before downloading Atsg Repair Manual. In conclusion, the internet offers numerous platforms and websites that allow users to download free PDF files legally. Whether its classic literature, research papers, or magazines, there is something for everyone. The platforms mentioned in this article, such as Project Gutenberg, Open Library, Academia.edu, and Issuu, provide access to a vast collection of PDF files. However, users should always be cautious and verify the legality of the source before downloading Atsg Repair Manual any PDF files. With these platforms, the world of PDF downloads is just a click away.

FAQs About Atsg Repair Manual Books

1. Where can I buy Atsg Repair Manual books? Bookstores: Physical bookstores like Barnes & Noble, Waterstones, and independent local stores. Online Retailers: Amazon, Book Depository, and various online bookstores offer a wide range of books in physical and digital formats.
2. What are the different book formats available? Hardcover: Sturdy and durable, usually more expensive. Paperback: Cheaper, lighter, and more portable than hardcovers. E-books: Digital books available for e-readers like Kindle or software like Apple Books, Kindle, and Google Play Books.
3. How do I choose a Atsg Repair Manual book to read? Genres: Consider the genre you enjoy (fiction, non-fiction, mystery, sci-fi, etc.). Recommendations: Ask friends, join book clubs, or explore online reviews and recommendations. Author: If you like a particular author, you might enjoy more of their work.
4. How do I take care of Atsg Repair Manual books? Storage: Keep them away from direct sunlight and in a dry environment. Handling: Avoid folding pages, use bookmarks, and handle them with clean hands. Cleaning: Gently dust the covers and pages occasionally.
5. Can I borrow books without buying them? Public Libraries: Local libraries offer a wide range of books for borrowing. Book Swaps: Community book exchanges or online platforms where people exchange books.
6. How can I track my reading progress or manage my book collection? Book Tracking Apps: Goodreads, LibraryThing, and Book Catalogue are popular apps for tracking your reading progress and managing book collections. Spreadsheets: You can create your own spreadsheet to track books read, ratings, and other details.
7. What are Atsg Repair Manual audiobooks, and where can I find them? Audiobooks: Audio recordings of books, perfect for listening while commuting or multitasking. Platforms: Audible, LibriVox, and Google Play Books offer a wide

- selection of audiobooks.
8. How do I support authors or the book industry? Buy Books: Purchase books from authors or independent bookstores. Reviews: Leave reviews on platforms like Goodreads or Amazon. Promotion: Share your favorite books on social media or recommend them to friends.
 9. Are there book clubs or reading communities I can join? Local Clubs: Check for local book clubs in libraries or community centers. Online Communities: Platforms like Goodreads have virtual book clubs and discussion groups.
 10. Can I read Atsg Repair Manual books for free? Public Domain Books: Many classic books are available for free as they're in the public domain. Free E-books: Some websites offer free e-books legally, like Project Gutenberg or Open Library.

Find Atsg Repair Manual :

earth science holt mcdougal review answers

mini cooper service manual bentley publishers

2nd semester biology final exam review packet

takeuchi tb1140 compact excavator parts manual

the bankrupt billionaire english edition

how to let god flow through

saturn service engine soon light reset

mig welding pocket guide

ball state basketball media guide

blue pelican math lesson six unit four answers

ballad with a solitary blade vol

1990 yamaha cv30 eld outboard service repair maintenance manual factory

practice 8 2 the tangent ratio answer key

romeo and juliet study guide with answer

2006 acura tl engine splash shield manual

Atsg Repair Manual :

la doctrine secrète des templiers fnac - May 12 2023

web jun 17 2019 résumé voir tout les templiers ont ils professé une doctrine secrète d opposition avec celle de l église cette doctrine fut elle générale dans l ordre quels furent ses dogmes ses sources ses relations avec

la doctrine secrète des templiers le secret de la disparition de l - Mar 10 2023

web jun 24 2019 ces problèmes ont longtemps hanté les historiens cet ouvrage fondamental de jules loiseleur appuyé par l étude de documents d époque restés longtemps inexploités et reproduits ici apporte des révélations troublantes sur la fin des templiers on trouvera en annexe de cette nouvelle édition chronologie des principales bulles et

la doctrine secrète des templiers google books - Jun 13 2023

web jun 17 2019 ces problèmes ont longtemps hanté les historiens cet ouvrage fondamental de jules loiseleur appuyé par l étude de documents d époque restés longtemps inexploités et reproduits ici

la doctrine secrète des templiers étude suivie du texte inédit de - Aug 15 2023

web la doctrine secrète des templiers étude suivie du texte inédit de lenquête contre les templiers de toscane et la chronologie des documents relatifs a la suppression du temple by loiseleur jules de 601 137053703

la vocation de l arbre d or - Aug 03 2022

web innocenter les templiers c était faire le procès de la royauté qui a profité de leurs dépouilles de la papauté qui les a livrés et condamnés les montrer coupables c était défendre à la fois la monarchie et la religion

pdf la doctrine secrète des templiers by jules loiseleur perlego - Jul 02 2022

web jules loiseleur les templiers ont ils professé une doctrine secrète d opposition avec celle de l église cette doctrine fut elle générale dans l ordre quels furent ses dogmes ses sources ses relations avec les grandes hérésies du treizième siècle

la doctrine secrète des templiers jules loiseleur google books - Feb 09 2023

web les templiers ont ils professé une doctrine secrète d opposition avec celle de l église cette doctrine fut elle générale dans l ordre quels furent ses dogmes ses sources ses relations avec les grandes hérésies du treizième siècle

la doctrine secrète des templiers loiseleur jules amazon fr - Feb 26 2022

web reçu la doctrine secrète des templiers edition tiquetonne de 1989 au lieu de la doctrine secrète des templiers ses sources ses dogmes ses relations avec les grandes hérésies éditions belisane cazilhac 1999

la doctrine secrète des templiers jules loiseleur google books - Jan 08 2023

web les templiers ont ils professé une doctrine secrète en opposition avec celle de l église cette doctrine fut elle générale clans l ordre quels furent ses dogmes ses sources ses relations avec les grandes hérésies du treizième siècle constituait elle un danger social assez menaçant pour justifier les mesures par lesquelles l 39 eglise et la royauté

la doctrine secrète des templiers bod fr - Nov 06 2022

web la doctrine secrète des templiers de jules loiseleur boutique en ligne bod auteurs indépendants livres extraordinaires

la doctrine secrète des templiers de jules loiseleur decitre - Sep 04 2022

web jun 1 1999 les templiers ont ils professé une doctrine secrète en opposition avec celle de l église cette doctrine fut elle générale dans l ordre quels furent ses dogmes ses sources ses relations avec les grandes hérésies du treizième siècle

la doctrine secrète des templiers jules loiseleur google books - Apr 11 2023

web la doctrine secrète des templiers mémoires de la société archéologique de l orléanais author jules loiseleur publisher herluison 1873 length 227 pages export citation bibtex endnote refman

la doctrine secrète des templiers scribd - Oct 05 2022

web les templiers ont ils professé une doctrine secrète en opposition avec celle de l église cette doctrine fut elle générale clans l ordre quels furent ses dogmes ses sources ses relations avec les grandes hérésies du treizième siècle

jules loiseleur la doctrine secrete des templiers pnl nlp org - Mar 30 2022

web la doctrine secrète des templiers les templiers ont ils professé une doctrine secrète en opposition avec celle de l église cette doctrine fut elle générale dans l ordre quels furent ses dogmes ses sources ses relations avec les grandes hérésies du treizième siècle

la doctrine secrète des templiers goodreads - Jun 01 2022

web oct 23 2016 les templiers ont ils professé une doctrine secrète en opposition avec celle de l église cette doctrine fut elle générale clans l ordre quels furent ses dogmes ses sources ses relations avec les grandes hérésies du treizième siècle

la doctrine secrète des templiers overdrive - Dec 07 2022

web jun 24 2019 cet ouvrage fondamental de jules loiseleur appuyé par l étude de documents d époque restés longtemps inexploités et reproduits ici apporte des révélations troublantes sur la fin des templiers

doctrine secreta templiers iberlibro - Dec 27 2021

web la doctrine secrète des templiers Étude suivie du texte inédit de l enquè contre les templiers de toscane et de la chronologie des documents relatifs a la suppression du temple ouvrage tiré a 200 exemplaires accompagné de planches représentant l i loiseleur jules

la doctrine secrète des templiers Étude suivie du texte inédit de - Jul 14 2023

web la doctrine secrète des templiers Étude suivie du texte inédit de l enquête contre les templiers de toscane et de la chronologie des documents relatifs À la suppression du temple loiseleur jules amazon com tr kitap

la doctrine secrète des templiers jules loiseleur cultura - Jan 28 2022

web la doctrine secrète des templiers par jules loiseleur aux éditions books on demand les templiers ont ils professé une doctrine secrète d opposition avec celle de l église cette doctrine fut elle générale dans l ordre quels furent ses dogmes

la doctrine secrète des templiers french edition loiseleur - Apr 30 2022

web oct 23 2016 la doctrine secrète des templiers french edition paperback october 23 2016 jules loiseleur author 3 6 out of 5 stars les templiers ont ils professé une doctrine secrète en opposition avec celle de l église

[their eyes were watching god study guide final exam](#) - Aug 04 2022

web test and improve your knowledge of their eyes were watching god study guide with fun multiple choice exams you can take online with study com

their eyes were watching god quiz check your knowledge - Apr 12 2023

web sep 24 2019 test your knowledge of zora neale hurston s classic novel their eyes were watching god with this quiz

[their eyes were watching god ch 2 3 75 plays quizizz](#) - Mar 11 2023

web their eyes were watching god ch 2 3 quiz for 9th grade students find other quizzes for english and more on quizizz for free

their eyes were watching god multiple choice test questions - Nov 07 2022

web 8 what is janie doing when pheoby comes to see her a soaking and washing her feet b writing a letter c making dinner d washing her dress read all 180 multiple choice questions and answers this section contains 4 550 words approx 16

their eyes were watching god chapter 1 9 quiz flashcards - Oct 06 2022

web what dose the hair represent in their eyes were watching god freedom other men noticing her her personality tied up what dose the horizon represent in their eyes were watching god

their eyes were watching god context quiz quick quiz sparknotes - Jan 29 2022

web take a quiz about the important details and events in of their eyes were watching god

their eyes were watching god quizzes gradesaver - Feb 10 2023

web quiz 1 their eyes were watching god by zora neale hurston buy study guide their eyes were watching god quiz 1 1 what according to hurston is the difference between women and men men use their voices and women do not women seek the horizon men do not women don t wait for their dreams to come true the possession of the dream is

[their eyes were watching god quiz bookrags com](#) - Jan 09 2023

web take our free their eyes were watching god quiz below with 25 multiple choice questions that help you test your knowledge determine which chapters themes and styles you already know and what you need to study for your upcoming essay midterm or final exam take the free quiz now directions click on the correct answer questions 1 5 of

their eyes were watching god final exam multiple choice quizlet - Jun 14 2023

web 1 26 flashcards learn test match created by daltonabigail terms in this set 26 what are the 3 communities west florida eatonville everglades which community where janie is from nanny lives marriage to logan killicks never returns to

quiz on chapters 1 9 of their eyes were watching god - Dec 08 2022

web because their eyes were watching god was published in 1937 and they wanted to include hurston in the harlem renaissance because she was a renaissance figure

their eyes were watching god study guide sparknotes - Dec 28 2021

web test your knowledge of their eyes were watching god with quizzes about every section major characters themes symbols and more

their eyes were watching god full book quiz quick quiz sparknotes - Aug 16 2023

web test your knowledge on all of their eyes were watching god perfect prep for their eyes were watching god quizzes and tests you might have in school

quiz cliffsnotes - May 13 2023

web major themes of their eyes were watching god structure of their eyes were watching god figurative language in their eyes were watching god use of dialect in their eyes were watching god study help quiz full glossary for their eyes were watching god essay questions practice projects cite this literature note

[their eyes were watching god wikipedia](#) - Feb 27 2022

web their eyes were watching god is a 1937 novel by american writer zora neale hurston it is considered a classic of the harlem renaissance 1 and hurston s best known work the novel explores protagonist janie crawford s ripening from a vibrant but voiceless teenage girl into a woman with her finger on the trigger of her own destiny

their eyes were watching god test review flashcards quizlet - May 01 2022

web verified answer vocabulary draw one line under each simple subject and two lines under each simple predicate tracy spurned mick s attempts at apology verified answer question add commas where they are needed in the following sentences example 1 harold polk sr still resides in roanoke virginia

[their eyes were watching god test flashcards quizlet](#) - Mar 31 2022

web study with quizlet and memorize flashcards containing terms like man who worked in a store in eatonville person who flirted with tea cake in the everglades the main character in their eyes are watching god and more

their eyes were watching god assessment albert - Jul 03 2022

web this quiz will check your reading comprehension for this section of their eyes were watching god

[their eyes were watching god ap test flashcards quizlet](#) - Jun 02 2022

web study with quizlet and memorize flashcards containing terms like author protagonist we oughta lighten up the race and more

their eyes were watching god m c test tpt - Jul 15 2023

web this is a standard multiple choice exam for zora neale hurston s book their eyes were watching god it consists of 43

multiple choice questions and 11 short answer quote identification questions that engage with multiple levels of understanding the text questions range from plot based understanding

their eyes were watching god overview quiz enotes com - Sep 05 2022

web follow her journey with enotes their eyes were watching god overview quiz and test your knowledge of zora neale hurston s intricate plot each of our questions is ranked so that you can

la maledizione di pandora du brul jack sconto 5 libreria - Sep 03 2022

web la maledizione di pandora durante la seconda guerra mondiale in una base sottomarina nazista furono nascosti alcuni container interamente realizzati con l oro saccheggiato in

la maledizione di pandora hardcover 22 july 2022 - Oct 04 2022

web la maledizione di pandora du brul jack amazon com au books skip to main content com au delivering to sydney 1171 to change sign in or enter a postcode

la maledizione di pandora jack du brul mondadori store - Oct 24 2021

web nelle inospitali distese della groenlandia il geologo philip mercer scopre una base abbandonata dell esercito statunitense sepolta sotto il ghiaccio e un cadavere ancora

download free pdf la maledizione di pandora by jack du - Apr 29 2022

web prima che lui e la seducente dotto ressa anika klein possano indagare più a fondo vengono travolti da un susseguirsi di eventi con un ritmo vertiginoso una potente

la maledizione di pandora paperback september 1 2017 - Dec 26 2021

web sep 1 2017 la maledizione di pandora du brul jack on amazon com free shipping on qualifying offers la maledizione di pandora

la maledizione di pandora jack du brul libro libreria ibs - Nov 24 2021

web la maledizione di pandora di jack du brul autore rusconi libri 2022 1 libro disp immediata 9 40 9 90 5 90 punti aggiungi al carrello venditore ibs altri 8

la maledizione di pandora scaricare pdf epub e audiolibro - May 31 2022

web dec 20 2018 riepilogo di la maledizione di pandora durante la seconda guerra mondiale in una base sottomarina nazista vennero nascosti alcuni container

amazon it recensioni clienti la maledizione di pandora - Dec 06 2022

web la maledizione di pandora da jack du brul scrivi una recensione come funzionano le recensioni e le valutazioni dei clienti visualizza tutte le opzioni di acquisto la recensione

scarica la maledizione di pandora pdf the incredible - Feb 25 2022

web apr 21 2019 titolo del libro la maledizione di pandora scarica il libro la maledizione di pandora in formato pdf ed epub qui puoi scaricare gratuitamente tutti i libri in

la maledizione di pandora jack du brul libro libreria ibs - Jul 13 2023

web la maledizione di pandora è un libro di jack du brul pubblicato da rusconi libri nella collana romanzi rusconi acquista su ibs a 18 05

scarica libro gratis la maledizione di pandora pdf epub twitter - Jan 27 2022

web may 12 2020 ebook download gratis libri pdf epub kindle la maledizione di pandora pdf gratis italiano la maledizione di pandora prezzo

la maledizione di pandora jack du brul mondadori store - Apr 10 2023

web una potente società tedesca ha lanciato un operazione per distruggere la prova del suo passato nazista ma uno dei mercenari aziendali conosce il contenuto delle casse di

la maledizione di pandora libro di jack du brul macrolibrarsi - Nov 05 2022

web spedizione gratis acquistando 19 di libri 39 0547 346317 assistenza lun ven 08 18 sab 08 12 dal lunedì al venerdì dalle 8 alle 18 sabato dalle 8 alle 12

la maledizione di pandora du brul jack ebook libreria ibs - Mar 09 2023

web la maledizione di pandora di jack du brul autore rusconi libri 2018 1 ebook scaricabile subito 9 99 100 punti aggiungi al carrello venditore ibs epub2 con

la maledizione di pandora formato kindle amazon it - May 11 2023

web una potente società tede sca ha lanciato un operazione per distruggere la prova del suo passato nazista ma uno dei mer cenari aziendali conosce il contenuto delle casse di

ebook la maledizione di pandora libreria universitaria - Jul 01 2022

web una potente società tede sca ha lanciato un operazione per distruggere la prova del suo passato nazista ma uno dei mer cenari aziendali conosce il contenuto delle casse di

la maledizione di pandora italian edition kindle edition - Jan 07 2023

web dec 20 2018 la maledizione di pandora italian edition kindle edition by du brul jack download it once and read it on your kindle device pc phones or tablets use features

scaricare pdf la maledizione di pandora jack du brul gratis - Mar 29 2022

web una potente società tedesca ha lanciato un operazione per distruggere la prova del suo passato nazista ma uno dei mercenari aziendali conosce il contenuto delle casse di

la maledizione di pandora by jack du brul goodreads - Aug 14 2023

web sep 1 2001 una potente società tedesca ha lanciato un'operazione per distruggere la prova del suo passato nazista ma uno dei mercenari aziendali conosce il contenuto

la maledizione di pandora du brul jack hoepli - Aug 02 2022

web una potente società tedesca ha lanciato un'operazione per distruggere la prova del suo passato nazista ma uno dei mercenari aziendali conosce il contenuto delle casse di

la maledizione di pandora ebook by jack du brul rakuten kobo - Feb 08 2023

web la maledizione di pandora di jack du brul sintesi durante la seconda guerra mondiale in una base sottomarina nazista furono nascosti al cuni container interamente realizzati

la maledizione di pandora du brul jack amazon it libri - Jun 12 2023

web il tesoro lì custodito non constava di forzieri d'oro massiccio ma di un manufatto così letale che chi possedeva le casse di pandora aveva il potere di scatenare l'inferno sulla terra